



MODELS

KGL-IS-80-S

KGL-IS-80-R

GRAB AND GO LOW PROFILE CASE ISLAND COMBINATION

CASE HOLDS 36°F TO 40°F • FORCED AIR REFRIGERATION • OPEN FRONT
FRONT LOADING • LED LIGHTING IN CANOPY AND UNDER ALL SHELVES
PULL DOWN NIGHT CURTAIN



AUTODESK®
REVIT®

SELF CONTAINED	Model	Width (in)	Depth (in)	Front Capacity Cu.ft	Electrical 115 Volts / 220 Volts			NEMA Plug	Weight lbs		Crate Size (inches)		
					Compressor		Total Amps		Crated	Uncrated	L"	W"	H"
					H.P	F.L.A							
KGL-IS-80-S	78	76.3	39	2 x 5/8	2 x 8.9	2 x 17	HARD WIRED	2 x 507	2 x 357	2 x 43.8	2 x 34.5	67.8	
				1 x 1-1/4	9.2	1 x 14.1	HARD WIRED	1 x 1,015	1 x 714	1 x 87	1 x 34.5	67.8	

REMOTE	Model	Width (in)	Depth (in)	B.T.U	115 Volts Total Amps	Nema Plug	Weight lbs	
							Crated	Uncrated
KGL-IS-80-R	78	76.3	2 x 4125	2 x 0.4	HARD WIRED	2 x 441	2 x 291	
								1 x 8000

This unit is a combination of 3 units:
(2) KGL-OF-40
(1) KGL-OF-70

STANDARD FEATURES

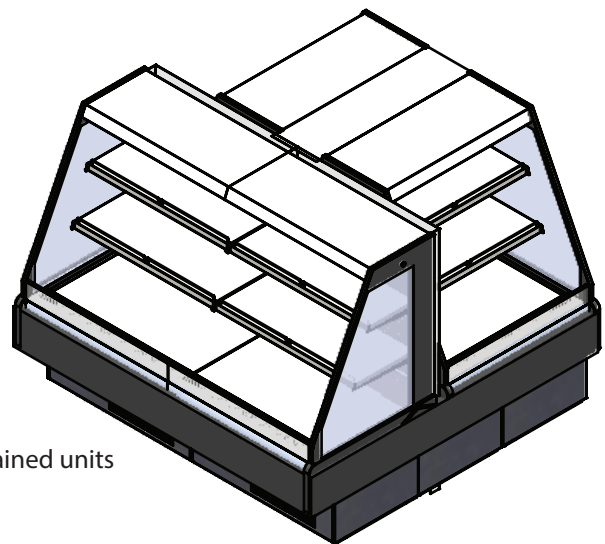
- Silver colored PVC coated steel front panel
- Special ducts to remove hot air from the condensing units
- Pull down night curtain
- CFC free injected foam insulation
- PVC coated steel gray interior
- Black steel kick plate
- Foamed polystyrene black end panels
- Tempered side glass
- Height adjustable shelves can be tilted
- Products stop on shelves
- Temperature and defrost regulated by a digital controller
- Digital thermometer
- Slide out condensing unit on self-contained units
- Removable condensate evaporating pan for easy cleaning on self contained units
- Cord and plug
- Leveling feet

OPTIONAL FEATURES

- Stainless steel exterior and / or interior
- Other colors available
- Extra shelves optional with LED
- Additional shelves
- Price tag molding
- Joining kit
- Partition or product dividers
- Condensate evaporating pan for remote cases
- Casters-add 4-3/8" to height
- Stainless steel legs are adjustable from 5-1/8" to 7-5/8"

WARRANTY

One year parts and labor with an additional four years on the compressor (part only)



Standard Mounting



Levelling Feet

Optional Mounting



Adjustable Legs

Casters

NOTE

These cases are engineered to operate in locations not exceeding 75°F and 55% R.H. These cases are designed to operate using R452a refrigerant. Alternate refrigerants available by special order. O.A. length includes (2) ends at 1-1/2" each. Ventilation grills at front and back cannot be blocked. B.T.U.'s are calculated at 14°F (evaporator) and 90°F (ambient). Remote cases are provided with an expansion valve and a liquid solenoid for pump down cycle. On remote cases, if no floor drain is provided, a condensate evaporating pan must be ordered and 6.7 amps added to the amp load. Remote cases must be hard wired – no plugs.



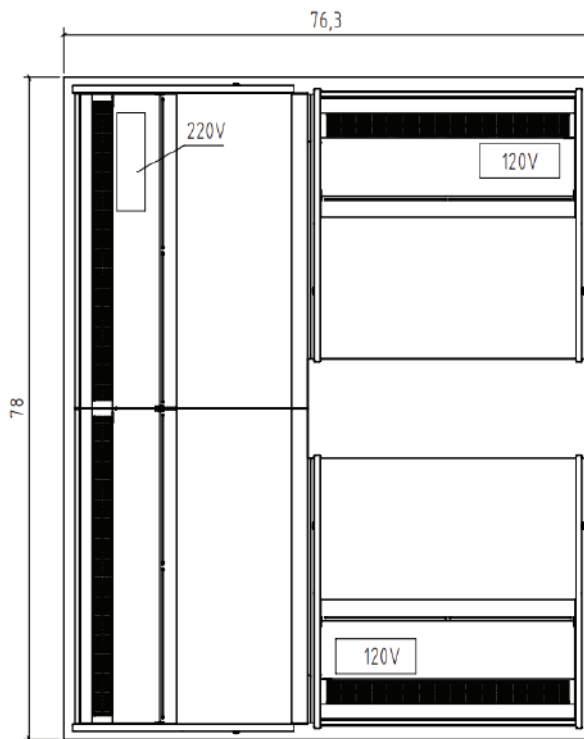
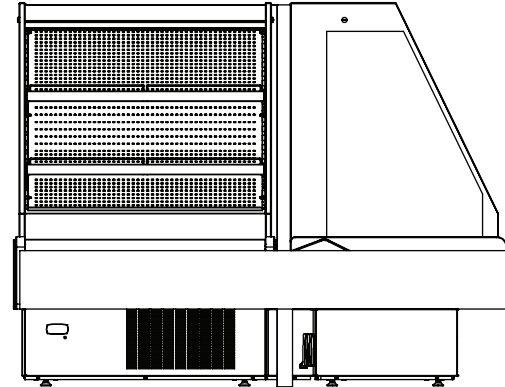
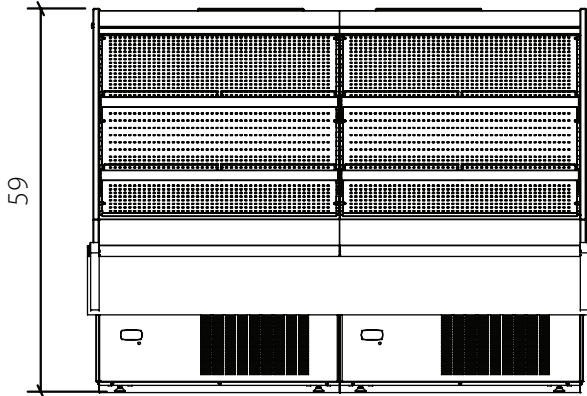
3560 NW 56th St
 Fort Lauderdale, FL USA 33309
 Tel: 786.600.4687 / Toll Free: 844.218.8477 / Fax: 786.661.4100



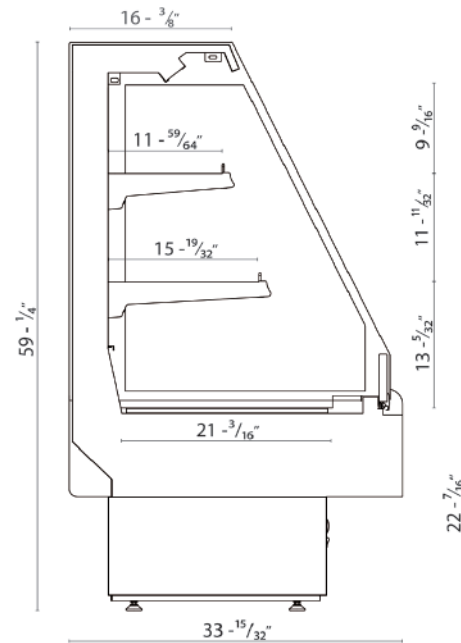
5659 Royalmount Ave.
 Montreal, QC, Canada H4P 2P9
 Tel: 514.737.9701 / Toll Free: 888.275.4538 / Fax: 514.342.3854
 Toll free: 877.453.8832
 sales@mvpgroupcorp.com / mvpgroupcorp.com



Hydra - Kool is a registered trademark of MVP Group Corp.
 SPECIFICATIONS SUBJECT TO CHANGE WITHOUT NOTICE



76,3



This unit is a combination of 3 units:
(2) KGL-OF-40
(1) KGL-OF-70



3560 NW 56th St
 Fort Lauderdale, FL USA 33309
 Tel: 786.600.4687 / Toll Free: 844.218.8477 / Fax: 786.661.4100



5659 Royalmount Ave.
 Montreal, QC, Canada H4P 2P9
 Tel: 514.737.9701 / Toll Free: 888.275.4538 / Fax: 514.342.3854
 Toll free: 877.453.8832
sales@mvpgroupcorp.com / mvpgroupcorp.com



Hydra - Kool is a registered trademark of MVP Group Corp.
 SPECIFICATIONS SUBJECT TO CHANGE WITHOUT NOTICE