

BOTTLE COOLERS

Features

- CFC free refrigerant and foam insulation
- Electronic thermostat and digital LED temperature display for accurate control and easy reading
- Easy to mount 1" wheels are standard with all units
- Stainless steel framework construction
- Forced-air cooling
- Doors have lock and key
- Adjustable dividers included, Self-defrosting evaporator
- Bottle cap opener & cap catcher standard
- Top: 430 stainless steel
- Interior: 304 stainless steel
- Exterior: Heavy duty, wear resistant black paint
- R-290 Natural refrigerant Model IBC95
- R-600A Natural refrigerant Models IBC49 IBC64
- Temperature: 33 to 41°F / 0.5 to 4°C
- Electrical: 115/60/1 with NEMA 5-15P plug, 10ft cord
- IBC-49 holds: 22.0 x 12 oz. cans or 18 x 12 oz. bottles
- IBC-64 holds: 32.5 x 12 oz. cans or 22 x 12 oz. bottles
- IBC-95 holds: 55.5 x 12 oz. cans or 38 x 12 oz. bottles



NEMA 5-15P



IBC-49



IBC-64



IBC-95

Specifications

DESIGNED TO OPERATE IN AMBIENT TEMPERATURES BETWEEN 40F-90F FOR OPTIMUM PERFORMANCE.

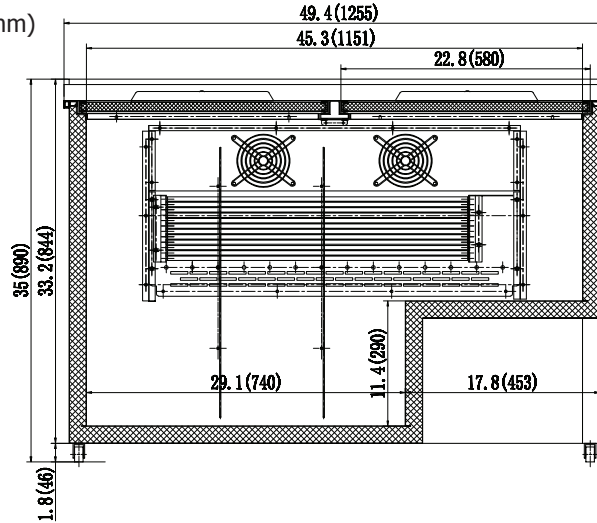


Model	Doors	Ext. Dimensions W X D X H (In)	Int.. Dimensions W X D X H (In)	CU. FT.	Amps	H.P	Ship Weight
IBC-49	2	49.4 x 27 x 35	29.1 x 23 x 28.5	13.5	3	1/2	309 lbs
IBC-64	2	64.3 x 27 x 35	44.1 x 23 x 28.5	18.5	3	1/2	353 lbs
IBC-95	3	95.3 x 27 x 35	75 x 23 x 28.5	30.3	3	1/2	439 lbs

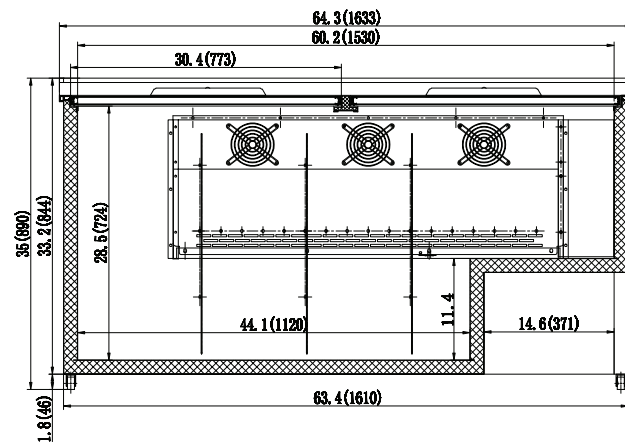
BOTTLE COOLERS

Dimensions in inches (mm)

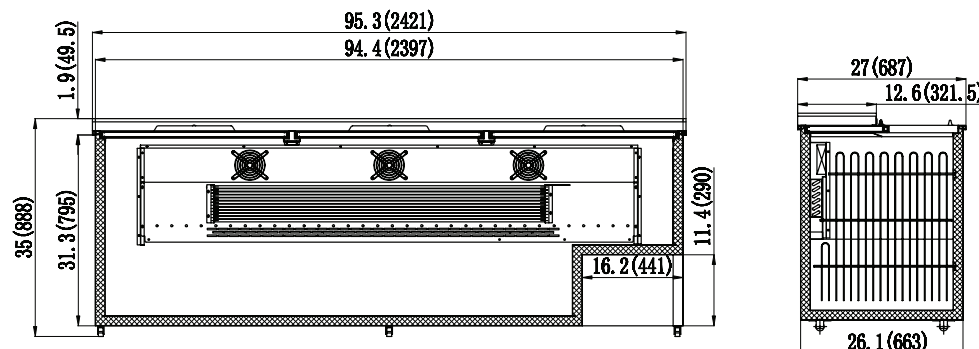
IBC-49



IBC-64



IBC-95



Tel.: 786.600.4687 / Toll Free: 844.218.8477
Fax: 786.661.4100

3560 NW 56th St.
Fort Lauderdale, FL 33309 USA



Tel.: 514.737.9701 / Toll Free: 888.275.4538
Fax: 514.342.3854 / Toll Free: 877.453.8832
sales@mvpgroupcorp.com

5659 Royalmount Ave.
Montreal, QC H4P2P9 CANADA