



GAS STATIONARY STEAM KETTLE

Job _____
Item# _____



MODEL	CAPACITY	
GL-20E	20 Gallon	76 Liter
GL-30E	30 Gallon	114 Liter
GL-40E	40 Gallon	152 Liter
GL-60E	60 Gallon	227 Liter

OPERATION SHALL BE BY:

- Natural Gas
- L.P. Gas

For operation on 115 VAC, 1 phase 50/60 Hz, A.S.M.E. code stamped for operation up to 50 psi (345kPa). The steam kettle temperature ranges shall be between 165°F to 275°F (74°C to 135°). Burners shall be serviceable, high efficiency stainless steel with no shutter adjustment.

OPTIONAL ITEMS AT EXTRA COST:

- 220 VAC, 1 phase, 50/60 Hz.
- 3" (76 mm) draw-off valve with perforated strainer (TVS-3)
- Etched gallon markings (GM-)
- Etched liter markings (LM-)
- Correctional Package

ACCESSORIES:

- Stainless steel tri basket, (TBA-1)
- Graduated measuring strip (CMS-)
- Strainer hook (SH-)
- Solid disc for draw-off valve (TSS-)
- Single pantry faucet with swing spout, SF-12
- Double pantry faucet with swing spout, DF-12
- Single pantry kettle filler (SP-KF-GK)
- Double pantry kettle filler (DP-KF-GK)

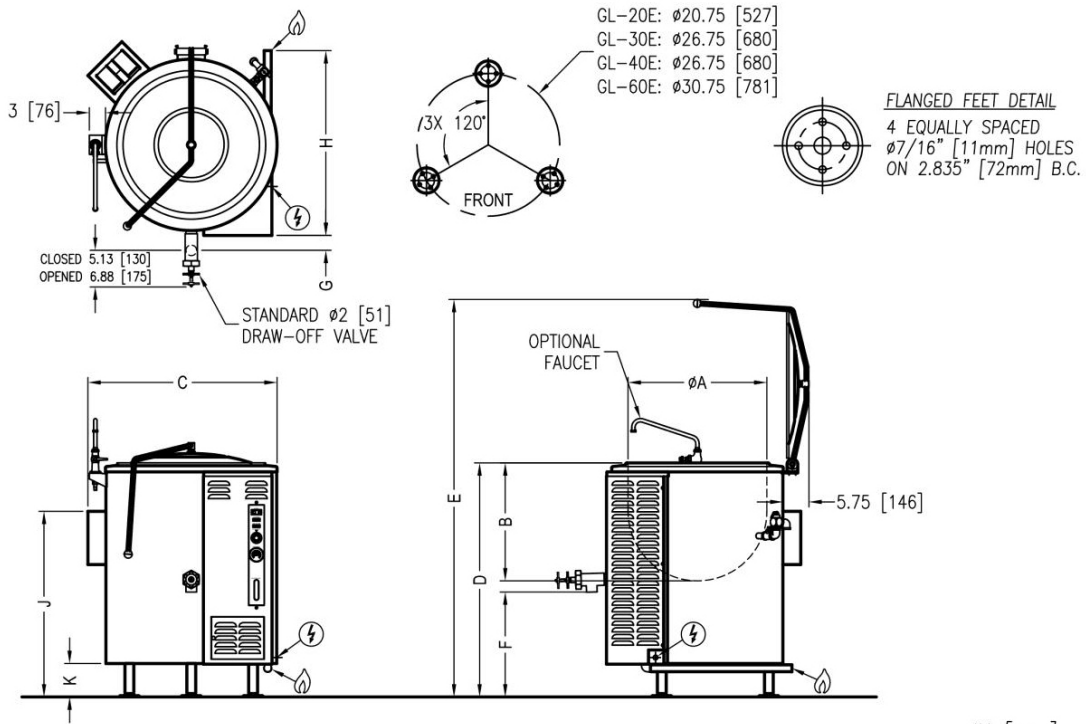
SPECIFICATIONS:

Shall be a Crown model _____, gas fired, self-contained steam jacketed kettle, AGA and CGA design certified, NSF approved. The unit comes standard with electronic ignition and spring assisted hinged cover. The kettle shall be constructed with an exterior of type 304 stainless steel, #4 sanitary finish and 6" (152mm) stainless steel adjustable legs. The interior kettle liner shall be a one piece welded construction made with type 316 stainless steel with #4 sanitary finish, 2/3 jacketed and shall be furnished with a 2" (50 mm) tangent draw off valve with strainer as standard. The recessed control panel shall be located on the front side of the unit in full view of the operator and easy to use. Standard controls include a direct immersion thermostat, water sight glass, cooking light, pressure gauge and low water indicator light. Safety features shall include a low water cut off, pressure relief valve, pressure switch and a 100% safety gas shutoff valve. Includes faucet bracket.



Models: GL-20E GL-30E GL-40E GL-60E

MODEL	SHIPPING WEIGHT	MINIMUM CLEARANCE	
GL-20E	440 lbs. [200 kg]	SIDES	6" [152 mm]
GL-30E	575 lbs. [261 kg]		
GL-40E	600 lbs. [272 kg]	BACK	2" [51 mm]
GL-60E	720 lbs. [327 kg]		



DIMENSIONS

IN [mm]

8238R0

MODEL	CAPACITY	UNITS	A	B	C	D	E	F	G	H	J	K
GL-20E	20 gallons (76 liters)	in (mm)	20" (508)	18.38" (467)	31.13" (791)	40.38" (1026)	65.38" (1661)	20" (508)	3.13" (79)	24.75" (629)	31.5" (800)	6.25" (159)
GL-30E	30 gallons (114 liters)	in (mm)	26" (660)	17.75" (451)	35.5" (902)	39.5" (1003)	69.75" (1772)	19.75" (502)	2.75" (70)	34.63" (879)	34.88" (886)	6.25" (159)
GL-40E	40 gallons (152 liters)	in (mm)	26" (660)	22.13" (562)	35.5" (902)	43.88" (978)	74.63" (1895)	19.75" (502)	2.75" (70)	34.63" (879)	34.88" (886)	6.25" (159)
GL-60E	60 gallons (227 liters)	in (mm)	30" (762)	24.75" (629)	39.75" (1010)	49.38" (1254)	86.5" (2197)	22.5" (572)	2.75" (70)	34.63" (879)	38.38" (975)	8.25" (210)

MODEL	GAS SUPPLY		
	BTU/HR.	kW/HR.	SUPPLY PIPE PRESSURE (W.C.)
GL-20/30/40E	100,000	29.3	Natural 6"-14" (152-356 mm) Propane 11"-14" (279-356 mm)
GL-60E	130,000	38.1	

* For use on non-combustible floors only.

SERVICE CONNECTIONS

- 🔥 – Supply gas through 3/4" pipe. A gas shut-off valve must be installed in supply piping convenient and adjacent to appliance
- ⚡ – Unless other wise specified, Field Wire Electrical Connection to be 120 Volts, 60 Hertz, single phase with grounding wire. Unit furnished with 6' cord and 3 prong plug. Total maximum amps 4.0.

**INTENDED FOR COMMERCIAL USE ONLY.
NOT FOR HOUSEHOLD USE.**



70 Oakdale Road, Toronto ON, Canada M3N 1V9
(919) 762-1000 www.crownsteamgroup.com