



BEVERAGE-AIR

Project: _____	AIA#
Item: _____	
Location: _____	SIS#
Approved: _____	

DP FOOD PREPARATION SERIES

DP46HC Deli/Pizza Prep Table
Hydrocarbon Series

MODELS:
DP46HC

DP46HC Food Preparation Series: Deli/Pizza Prep Model

**3 Year Parts/Labor Warranty
Additional 2 Year Compressor Warranty**

CABINET CONSTRUCTION



DP46HC

- Stainless steel front, sides, top, door, and grille (*galvanized back & bottom*)
- Interior liner is made of corrosion resistant aluminum
- Aluminum top interior liner prevents spill from falling into cabinet
- Stainless steel top
- Removable hoods and insulated lid assemblies are made of matching stainless steel
- Door are self-closing on cam-lift hinges
- Snap-in door gaskets
- 120° Stay-open door feature
- Easy door removal for service and cleaning
- Field reversible door
- 3" Casters, 2 with brakes standard
- 19" Wide reversible cutting board constructed of white polyethylene plastic
- Cutting board removable for cleaning
- Two (2) epoxy-coated steel wire shelves
- Units will accept pans up to 6" deep (pans are not included)
- Raised rail maintains temperatures between 36° - 38°F

OPTIONS & ACCESSORIES

- Stainless steel back and grille
- Stainless steel interior
- Clear-lid models
- Combination door/drawer models
- Door locks
- Composite cutting board
- Bun tray rack
- 6" Casters
- 6" Legs Black or Seismic / Flanged
- Remote option

REFRIGERATION SYSTEM

- Refrigeration system uses R290 refrigerant to comply with all environmental concerns
- Automatic, non-electric defrost
- Epoxy coated evaporator coil



3779 Champion Blvd., Winston-Salem, NC 27105
1-888-845-9800 Fax: 1-336-245-6453
Beverage-Air.com sales@bevair.com



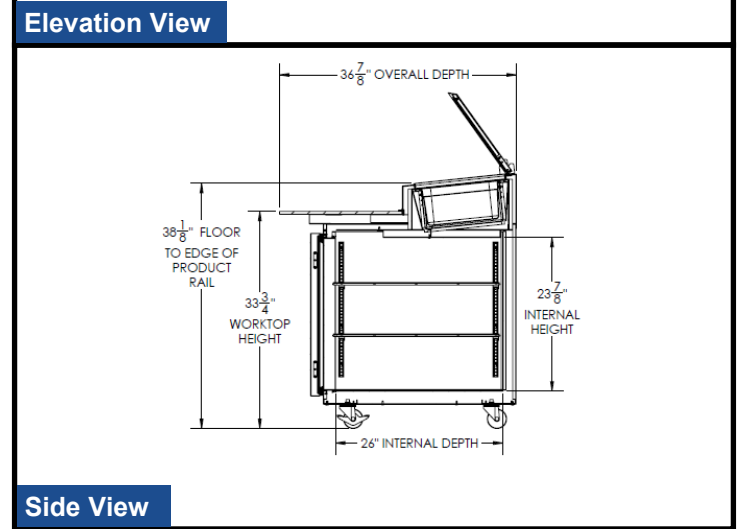
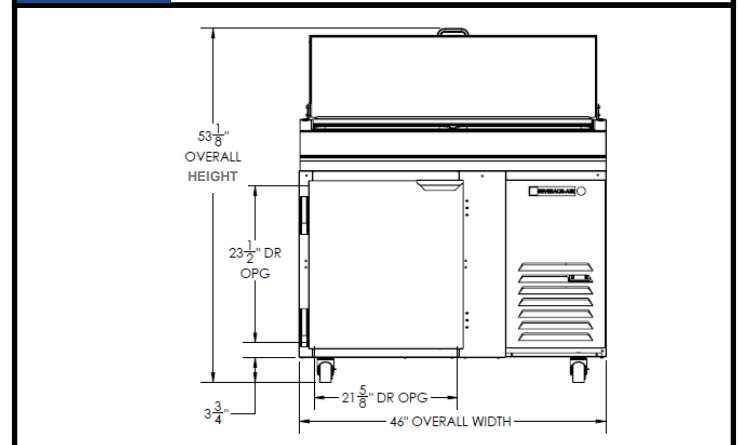
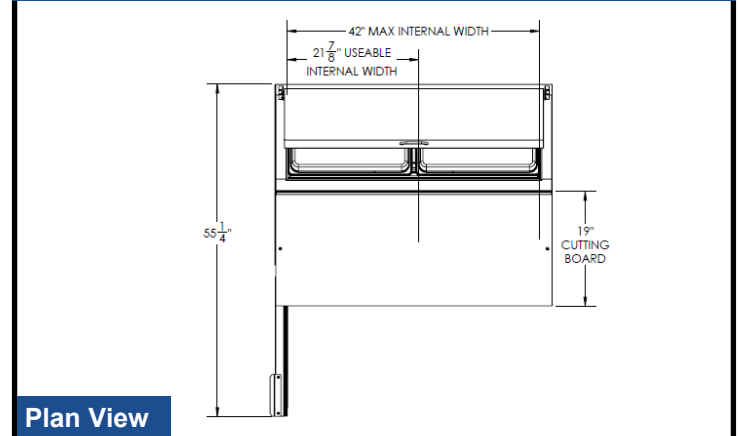
BEVERAGE-AIR

MODEL	DP46HC
EXTERNAL DIMENSIONAL DATA	
Width Overall	46"
Depth Overall with Cutting Board	36 7/8"
Height Overall with 3" Casters with Lid Open	53 1/8"
Number of Doors	1
Depth with Door Open 90 °	55 1/4"
Door Opening (in)	21 5/8" x 23 1/2"
Depth, Cutting Board	19"
INTERNAL DIMENSIONAL DATA	
NET Capacity (cubic ft.)	11.91
Internal Width Useable (in)	(2) 21 7/8"
Internal Depth Overall (in)	26"
Internal Height Overall (in)	23 7/8"
Number of Shelves	2
ELECTRICAL DATA	
Full Load Amperes 115/60/1	4.5
REFRIGERATION DATA	
Horsepower	1/3
Capacity (BTU/Hr)*	3088
WEIGHT DATA	
Gross Weight (Crated lbs)	336 lbs
Height - Crated	47 1/2"
Width - Crated	49"
Depth - Crated	37"

Deli/Pizza Preparation Table

Models: DP46HC

Model Views



ELECTRICAL CONNECTION



115/60/1
NEMA-5-15P

Units pre-wired at factory and include 8' long cord and plug set.



an Ali Group Company



The Spirit of Excellence

3779 Champion Blvd., Winston-Salem, NC 27105
1-888-845-9800 Fax: 1-336-245-6453
Beverage-Air.com sales@bevair.com