



Immersion Blender AX-IB550



Stainless Steel Whisk (Optional)



Carrying Case (Optional)



Stainless Steel Bell



Integrated Ventilation System



Quick-change "bayonet" slot



Ergonomic handle



Optional Wall Mount

AXIS Handheld Immersion Blender

Standard Features

- Double insulated motor with efficient engine cooling system to prevent overheating
- Sturdy, lightweight ABS frame
- Ergonomic handle and rubber cover for a secure grip
- Powerful performance motor
- Push button safety system prevents unintentional motor activation
- Quick coupling system

- Totally removable rods allows for thorough cleaning which extends life
- 14" interchangeable stainless steel shaft with stainless steel bells
- Attachments are dishwasher safe and easily disassembled for cleaning (tool included)

Optional

- Carrying Case
- Stainless steel whisk

Axis is a registered trademark of MVP Group Corp.



3560 NW 56th Street
Fort Lauderdale, FL, United States 33309
Telephone: 786.600.4687 / Toll Free: 844.218.8477
Fax: 786.661.4100

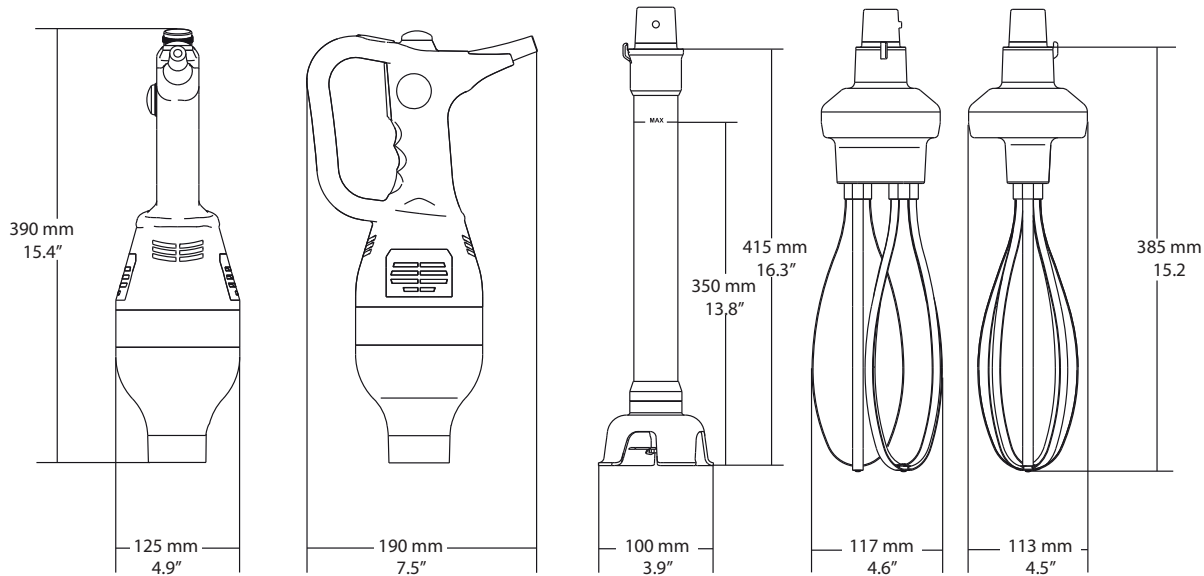
5659 Royalmount Ave.
Montreal, QC, Canada H4P 2P9
Telephone: 514.737.9701 / Toll Free: 888.275.4538
Fax: 514.342.3854 / Toll Free: 877.453.8832
sales@mvpgroupcorp.com / mvpgroupcorp.com





**Immersion Blender
AX-IB550**

AX-IB550



AXIS Handheld Immersion Blender

Model	Watt / HP	Electrical	Whisk RPM	Blender RPM	Working Capacity	Product Dimensions	Shipping Dimensions	Unit Weight	Ship Weight
AX-IB550	550 W 0.80 HP	120V/60Hz/1Ph	1,900	14,500	25 Gal 100 L	5" x 7.5" x 15.2" 125 x 190 x 385 mm	22.1" x 13" x 7.1" 560 x 330 x 180 mm	6 lbs 2.7 kg	13 lbs 5.9 kg

Due to continuing product development, to ensure the best possible performance, the specifications are subject to change without prior notice.

Axis is a registered trademark of MVP Group Corp.



3560 NW 56th Street
Fort Lauderdale, FL, United States 33309
Telephone: 786.600.4687 / Toll Free: 844.218.8477
Fax: 786.661.4100

5659 Royalmount Ave.
Montreal, QC, Canada H4P 2P9
Telephone: 514.737.9701 / Toll Free: 888.275.4538
Fax: 514.342.3854 / Toll Free: 877.453.8832
sales@mvpgroupcorp.com / mvpgroupcorp.com