



AX-CL10D

**Full Size Combi Oven
Digital Controls - Reversing Fans - 10 Shelves**



Digital controls	Time, temperature, steam, 4 cooking cycles for each program, automatic pre-heating	Features
Load capacity	10 shelves for full size sheet pans	
High speed reversing fans	3 (3,200 rpm)	<ul style="list-style-type: none"> • Advanced airflow design • Automatic reversing fans - 2 speeds • Digital programmable controls / 99 programs / automatic pre-heating / 4 cooking cycles for each program • Interior halogen light • Includes electro valve for direct water connection • Core food probe included / Delta T Cooking • Adjustable steam percentage (0-100%) • Adjustable exhaust flue • Heavy duty stainless steel body construction • "Cold Door" design with double pane glass • Reinforced door hinges • Oven cavity is insulated with ultra-high temperature fiberglass insulation • 4 Stainless steel wire shelves • Micro safety switch shuts oven off when door is open • Self-cleaning cycles • Ovens can be stacked (kit required) • Warranty: 2 year parts & 1 year labor exclusive of lights, gaskets and glass (60 days)
Space between shelves	3.14" (80 mm)	
Power requirements	14.5Kw/208V/60/3-48A 19.5Kw/240V/60/3-53A Oven supplied with power cord only / no plug	
Temperature	86° - 500° F	
Equipped with	16 hour timer Signal at end of cycle	
Cavity size (inches)	28.35 x 22.20 x 37.32 (WxDxH)	
Unit dimensions (inches)	38.60 x 33.64 x 49.58 (WxDxH)	
Shipping dimensions (inches)	41.35 x 40.55 x 52.37 (WxDxH)	
Net / Ship weight	313 lb / 353 lb	

COMBI ACCESSORIES



AX-C10ST OVEN STAND

- Heavy duty oven stand with tray support
- Slides accommodate full size pans
- Dimensions: 33.47" x 24.40" x 31.50"
- Heavy duty stainless steel (assembly required)
- Ship weight: 54 lbs
- Shipping dimensions: 38.60" x 28.35" x 8.66"



125-R15 R15 CASTERS

- Set of 4 (2 with brakes)
- For stand only



124-KITC STACKING KIT



125-0323 STACKING KIT CASTERS

- Set of 4 (2 with brakes)



125-0325 STACKING CASTER SET

- (4 casters- 2 braked)
- (2 support brackets)



139-0002 DEGREASER

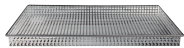


139-0001 COMBI CLEANER



124-WDFA WATER FILTER

COMBI OVEN TRAYS



124-GP31 FRY GRID



124-GP32 GRIDDLE GRID



124-GP28 GRANITE MULTI-BAKING TRAY



124-GP36 MULTIFUNCTIONAL NON STICK ALUMINUM TRAY



124-PT12 60X40 ALUMINUM PERFORATED TRAY



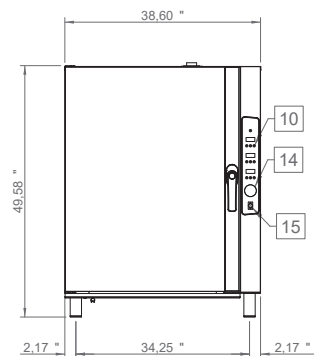
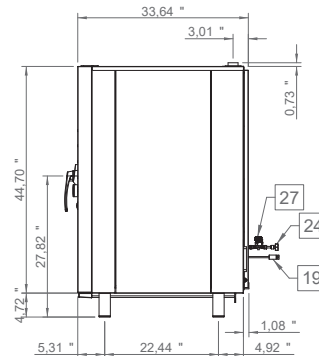
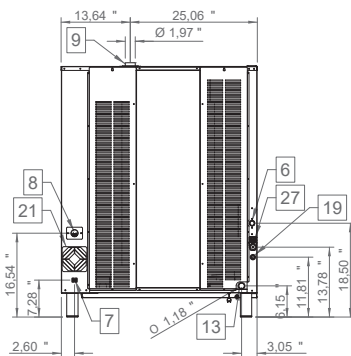
124-PT13 60X40 ALUMINUM TRAY



124-PG15 SHELF RACK

LINE DRAWINGS

AX-CL10D



3560 NW 56th Street
Fort Lauderdale, FL, United States 33309
Telephone: 786.600.4687 / Toll Free: 844.218.8477
Fax: 786.661.4100

5659 Royalmount Ave.
Montreal, QC, Canada H4P 2P9
Telephone: 514.737.9701 / Toll Free: 888.275.4538
Fax: 514.342.3854 / Toll Free: 877.453.8832
sales@mvpgroupcorp.com / mvpgroupcorp.com