

DALI-2 BT5 Room Controller

Datasheet Bluetooth 5.0 Interface



DALI-2 Bluetooth Interface
for commissioning,
configuration and control
of DALI systems using
the smartphone app
DALI Cockpit Mobile

Art.Nr. 87454427

DALI-2 BT5 Room Controller Bluetooth 5.0 Interface

Overview

- DALI-Bluetooth Interface
- Unit for commissioning, configuration and control of a DALI system via Bluetooth using the Lunatone smartphone application DALI Cockpit Mobile
- Output with DALI power supply (200mA) for the supply of up to 64 DALI devices
- independent control gear (for remote ceiling or integration in luminaires)
- Enables simple room solutions
- Test button for functional testing

Specification, Characteristics

| type | DALI-2 BT5 Room Controller |
|---|--------------------------------|
| article number | 87454427 |
| input: L, N | |
| input type | supply, mains- voltage |
| marking terminals | L, N |
| input voltage range | 100Vac ... 240Vac |
| max. input supply current | 40mA (@120Vac), 20mA (@240Vac) |
| input supply frequency | 50Hz / 60Hz |
| max. power consumption | 5,3W |
| startup time | 250ms |
| output: DA+, DA- | |
| output type | DALI supply |
| marking terminals | DA+, DA- |
| voltage range | 12Vdc ... 20,5Vdc |
| guaranteed DALI supply current | 200mA |
| open circuit proof | yes |
| short circuit proof | yes |
| insulation data: | |
| impulse voltage category | II |
| pollution degree | 2 |
| rated insulation voltage | 250V |
| insulation DALI (DA+, DA-) / supply (L, N) | reinforced isolation |
| insulation test voltage DALI- output/mains | 3000Vac |

environmental conditions:

| | |
|--|-----------------|
| storing and transportation temperature | -20°C ... +75°C |
| operational ambient temperature | -20°C ... +60°C |
| rel. humidity, none condensing | 15% ... 90% |

general data:

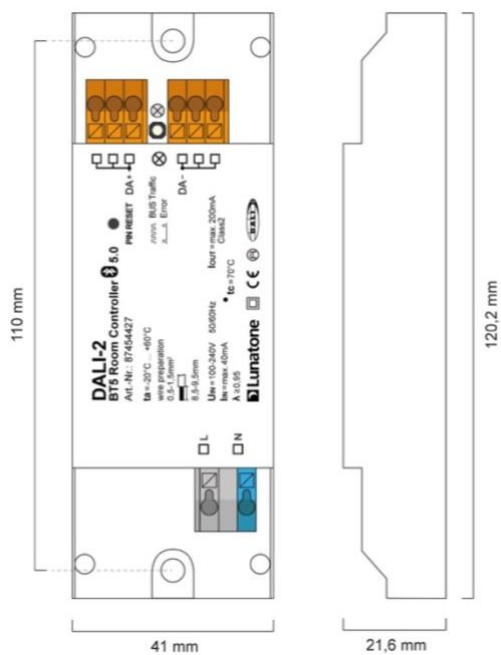
| | |
|-----------------------------|---|
| dimensions (l x w x h) | 120mm x 41mm x 22mm |
| mounting | remote ceiling integration in class II devices |
| rated max. temperature tc | 70°C |
| expected life time @tc | 50.000 h |
| protection class | II in intended use |
| protection degree housing | IP40 |
| protection degree terminals | IP20 |

terminals:

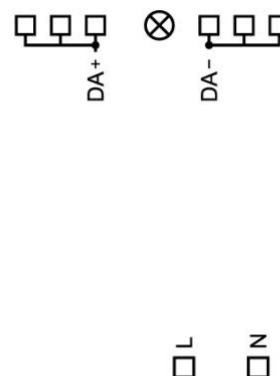
| | |
|----------------------------------|--|
| connection type | spring terminal connector |
| wire size solid core | 0,5 ... 1,5 mm ² (AWG20 ... AWG16) |
| wire size fine wired | 0,5 ... 1,5 mm ² (AWG20 ... AWG16) |
| wire size using wire end ferrule | 0,25 ... 1 mm ² |
| stripping length | 8,5 ... 9,5mm / 0,33 ... 0,37inch |
| locking torque | - |
| release of wire | push button |

standards:

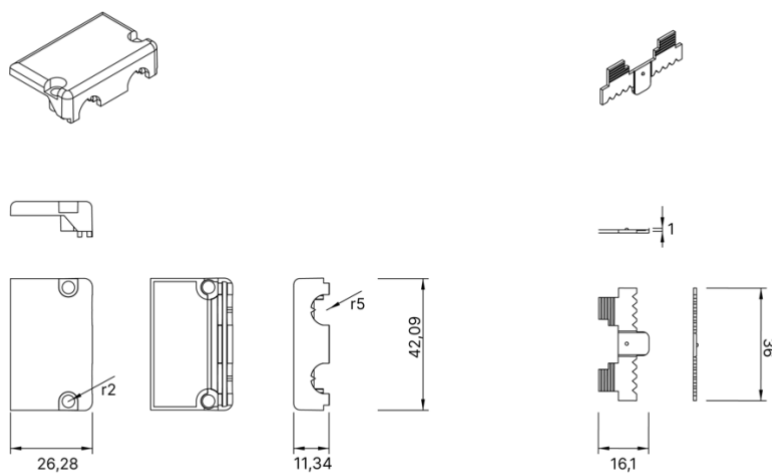
| | |
|----------|------------------------------------|
| DALI | EN 62386-101 |
| EMV | EN 61547 EN 50015 / IEC CISPR15 |
| safety | EN 61347-2-11 EN 61347-1 |
| markings | CE |



dimensions



connection plan



standard strain relief cover for 120x41x22mm

Installation

- Der Room Controller is intended for remote installation in the ceiling or in an enclosure, ensure proper cable relief for installation in protection class II devices
- The wiring should be carried out as a permanent installation in a dry and clean environment.
- Installation may only be carried out in a voltage-free state of the system and by qualified specialists.
- National regulations for setting up electrical systems must be followed.
- connect power supply terminals L and N to mains voltage
- the polarity of the output voltage is marked on the housing (DA+, DA-)
- The DALI-line may be installed within the same cable or as single conductors within the same tube as mains supply
- The DALI-line must not be connected to the mains or other extra low voltage systems
- The DALI wiring can be realised with standard low-voltage installation material. No special cables are required.
- Wiring topology of the DALI-line: Line, Tree, Star
- Wiring check by pressing the test button: the LED is flashing and all luminaires connected to the DALI system will be controlled by a test sequence (on, off,

dimming). To quit the test mode press the test button again.



Attention: The DALI-signal is not classified as SELV circuit. Therefore, the standards for installation in low voltage system apply.



The voltage drop on the DALI-line shall not exceed 2V.



Attention: an improper DALI power supply can cause damage on DALI devices!

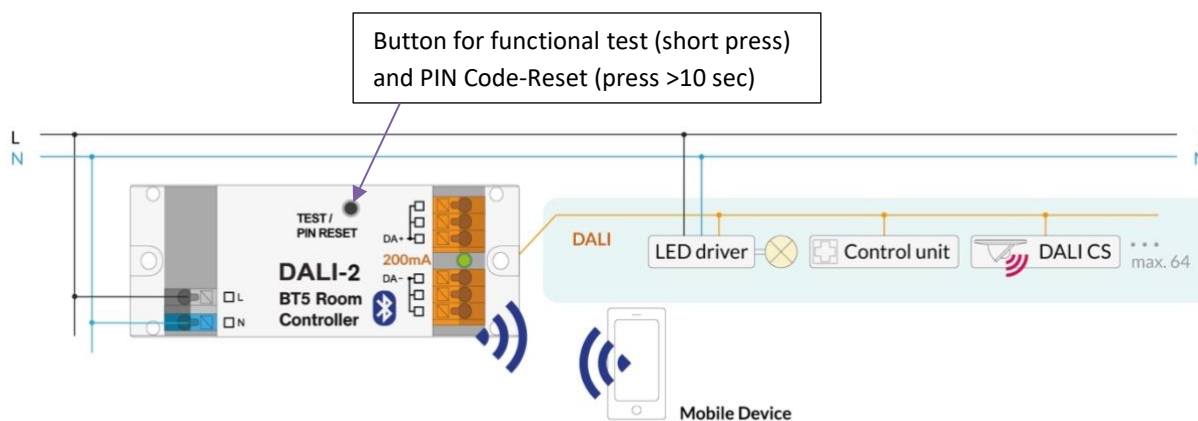


Fig. 1 Installation Room Controller – typical Application

Commissioning

- After installation, the DALI-Room Controller is ready for use.
- It must be ensured that the maximum power consumption on the DALI circuit does not exceed the guaranteed output current (200mA) of the DALI Room Controller at any time.
- The DALI Room Controller can be connected to the smartphone application DALI Cockpit Mobile to control and configure the devices on the DALI bus.
- The connection of a smartphone with the DALI Room Controller is possible via Bluetooth.
- Pressing the test / PIN reset button for > 10 seconds, will reset the the pin code set in the smartphone application.
- Status-LED:
flashing 5Hz, 50% on: identify
flashing 2Hz, 5% on : error (overload / short circuit)

flashing 2Hz, 90% on: activity and test mode

Function

The DALI Room Controller serves as an interface between Bluetooth and DALI. Simplified, the packets received via Bluetooth are converted into corresponding DALI commands and vice versa. This means that devices connected to the DALI bus can be operated and configured via the Bluetooth interface.

The Bluetooth Room Controller provides the power supply (200mA) for the DALI bus. Therefore, simple room solutions can be easily implemented with the DALI Room Controller.

The Lunatone smartphone application DALI-Cockpit Mobile offers a clear and simple interface for controlling and configuring the devices on the DALI bus. Communication between the smartphone app and the DALI room controller takes place using the proprietary Lunatone DALI Access Protocol (LDAP). The protocol description is available on request.

Purchase Information

Art.Nr. 87454427: DALI Room Controller,
Bluetooth – DALI interface with integrated bus
power supply, remote ceiling

Additional Information and Equipment

Lunatone datasheets, manuals and software
<http://www.lunatone.com/downloads-a-z/>

Lunatone DALI products
<http://www.lunatone.com>

DALI-Cockpit/Mobile App - Google Store
Download
<https://play.google.com/store/apps/developer?id=Lunatone+Industrielle+Elektronik+GmbH&hl=de>



Contact

Technical Support: support@lunatone.com

Requests: sales@lunatone.com

www.lunatone.com



Disclaimer

Subject to change. Information provided without guarantee.
The datasheet refers to the current delivery.

The function in installations with other devices must be tested
for compatibility in advance.