



# Air/Gas and Vacuum - No Problem

## MR-166US, -185US, -200US Liquid-Ring Pump

### Application

The MR liquid-ring pump is specially designed for pumping liquids containing air or gas.

This versatile 3A compliant pump can be used in the food, pharmaceutical, chemical and similar industries.

You'll find the pump is mainly used for CIP return applications.

### Standard design

All product wetted parts including the pump casing, casing cover and impeller are built with AISI 316L stainless steel.

### Shaft seal

The mechanical single seals have stationary seal rings of stainless steel AISI 329 and rotating seal rings of carbon.



### TECHNICAL DATA

#### Materials

Surface finish: . . . . . Ra 32 µin.  
Product wetted steel parts: . . . . . Stainless steel AISI 316L and AISI 329L.  
Other stainless steel parts: . . . . . Stainless steel  
Adaptor: . . . . . Mild steel grade.  
Product wetted seals: . . . . . EPDM (acc. to FDA).

#### Motor

Standard C-faced, foot mounted motor according to NEMA standard. 1750 RPM. Class F.

#### Voltage and frequency

3~, 60 Hz, 230/460V.

#### Motor sizes

166	60 Hz:	3 Hp - 1750 RPM
185	60Hz:	7.5 Hp - 1750 RPM
200	60Hz:	15 Hp - 1750 RPM

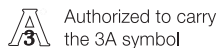
### OPERATING DATA

#### Pressure

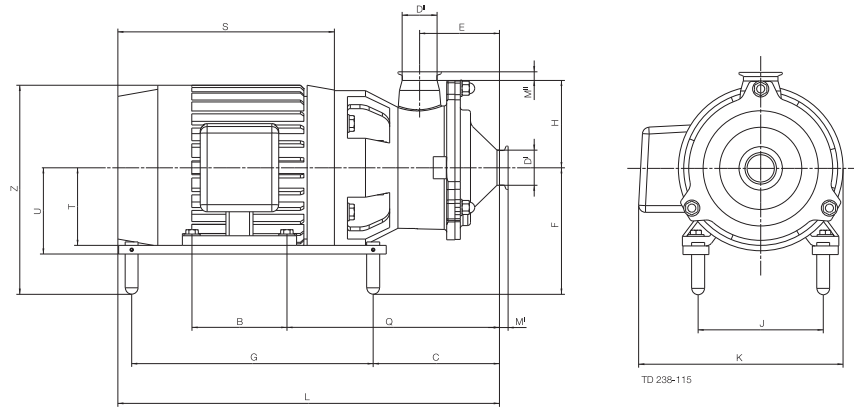
Max. inlet pressure: . . . . . 60 psi (4 bar).

#### Temperature

Temperature range . . . . . 14° F to 284° F (EPDM).



Dimensions (inch)  
166US/185US/-200US



Dimensions (inch)  
MR-166/185US/200US 1800rpm.

Size	MR-166 US motor 3Hp (182TC)	MR-185 US motor 7.5Hp (213TC)	MR-200 US motor 15Hp (254TC)
B	4.50	5.50	8.25
C	8.82	10.44	12.45
E	6.61	4.61	4.61
F	7.75	8.50	10.00
G	12.5	14.00	14.50
H	5.08	6.06	6.06
J	7.75	8.75	10.25
Q	12.3	13.94	14.70
S	11.81	14.82	21.35
T	4.5	5.25	6.25
U	5.0	5.75	6.88
Z	12.52	14.07	16.35
K	11.89	13.99	17.2
L	21.6	26.18	30.07
Weight (lbs)		184	266

**Note!** Data for pump with legs and Sterling brand motor.

Connections (inch)

MR-166US: Inlet and outlet: 2"

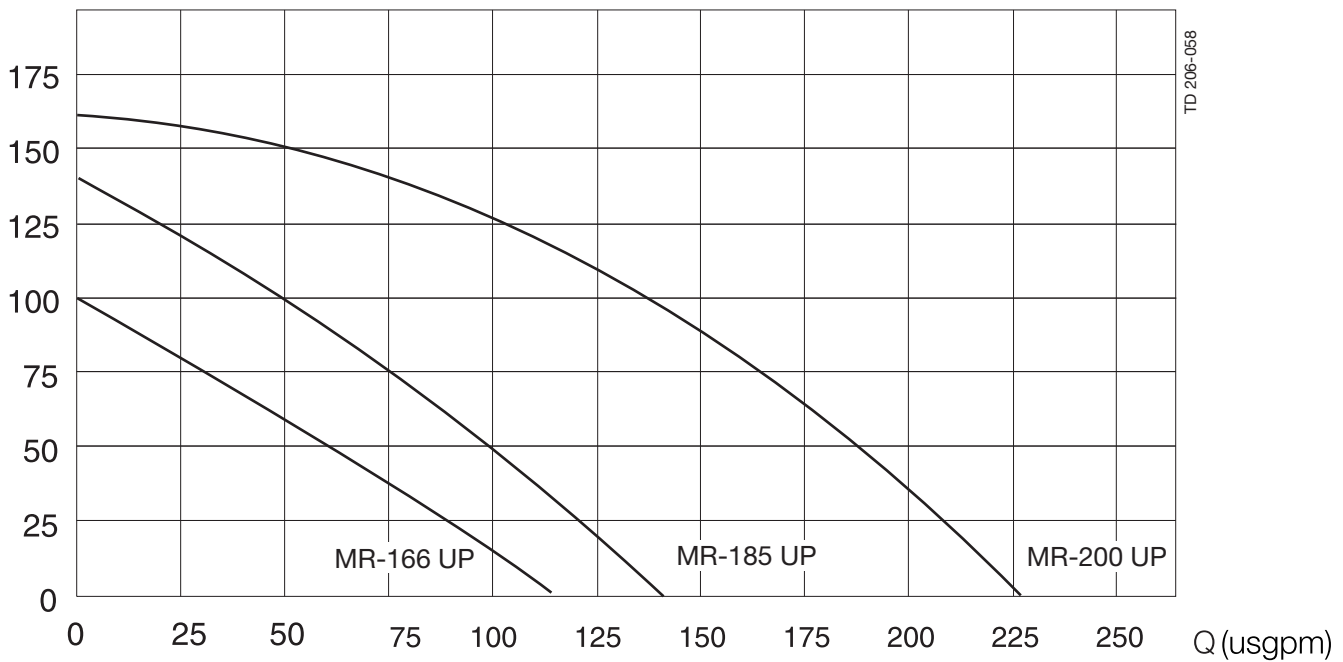
D <sup>I</sup> 2"	Tri-clamp®	BS male
M <sup>I</sup>	0.5	1.06
M <sup>II</sup>	0.5	1.06

MR-185US and MR-200US: Inlet 3" and outlet: 2.5"

D <sup>I</sup> 3"	Tri-clamp®	BS male
M <sup>I</sup>	0.5	1.06
M <sup>II</sup>	0.5	1.06

Volumetric flow MR-166US, -185US, -200US

H (ft)



TD 206-058

**Options**

- A. Other voltage and frequency.
- B. 20 Ra mechanical polish on wetted path.
- C. Drain in casing and cover.
- D. Product wetted seals of Nitrile (NBR) or Fluorinated rubber (FPM).
- E. Shaft seal with SIC/SIC is an option for the MR-185 and MR-200.

**Ordering**

Please state the following when ordering:

- Pump type.
- Voltage and frequency.
- Connections.
- Flow rate, pressure and temperature.
- Density and viscosity of product.
- Options.

**Note!**

For further information, see also instruction ESE00675 and ESE02051.

Alfa Laval reserves the right to change specifications without prior notification. ALFA LAVAL is a trademark registered and owned by Alfa Laval Corporate AB.

ESE00233ENUS 1505

© Alfa Laval

---

**How to contact Alfa Laval**

Contact details for all countries are continually updated on our website. Please visit [www.alfalaval.us](http://www.alfalaval.us) to access the information direct.