



Alfa Laval Accessories - Non Return Valve

Sampling valves

Introduction

The Alfa Laval Non-return Valve is a hygienic sampling accessory for backflow protection when using with the Alfa Laval Unique Sampling Valve. It is a spring-loaded, non-return valve that prevents backflow of product from the sampling valve into the steam line when performing steam sterilization.

Application

This non-return valve for backflow protection is designed for automated processes when using the Unique Sampling Valve in applications across the food, beverage, personal care, pharmaceutical and many other industries.

Benefits

- Highly reliable
- Easy to install
- Protection for sampling valve and process equipment

Standard design

This non-return valve for use with the Alfa Laval Unique Sampling Valve consists of a nut, inlet piece, o-ring, piston, guide ring, spring, body and plug.

Working principle

The Alfa Laval Non-Return Valve is used when performing steam sterilization on the Alfa Laval Unique Sampling Valve. The non-return valve allows steam to pass through the sampling valve and blocks the product when taking a sample.



TECHNICAL DATA

Temperature

| | |
|--|-------------|
| Temperature range: | 1°C - 130°C |
| Max. sterilisation temperature, dry steam: | 130°C |

Pressure

| | |
|------------------------|-----------------|
| Max. working pressure: | 600 kPa (6 bar) |
| Min. working pressure: | 0 kPa (0 bar) |

PHYSICAL DATA

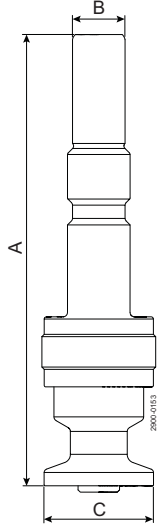
Materials

| | |
|-----------------------|---------------------|
| Product wetted parts: | 1.4404 (316L), PVDF |
| Other parts: | 1.4301 (304) |

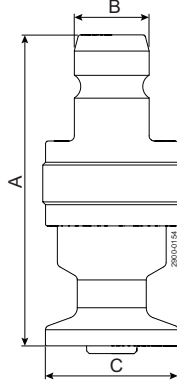
Dimensions (mm)

Size 4 and 10:

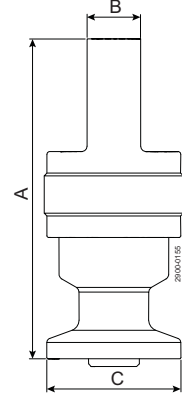
For steam generator



For Quick connection

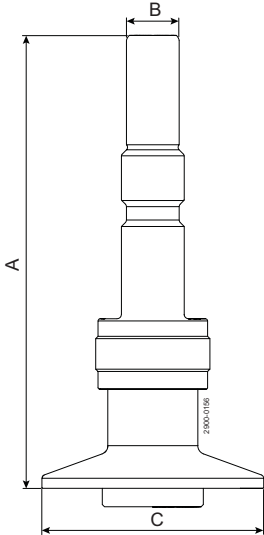


For tube welding

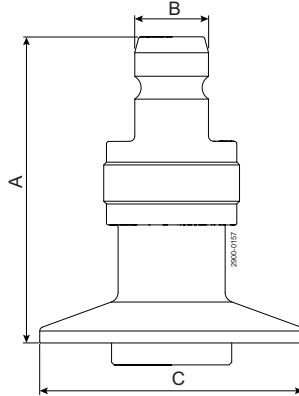


Size 25:

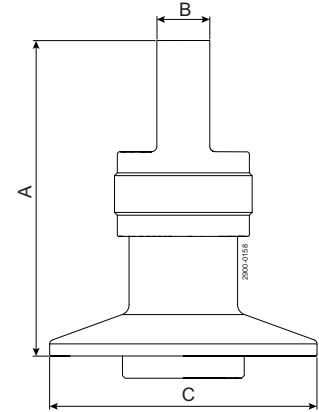
For steam generator



For Quick connection



For tube welding



| Inlet size | Size 4 and 10 | | | Size 25 | | |
|----------------------|---------------|----|----|---------|----|------|
| | A | B | C | A | B | C |
| For steam generator | 103.1 | 12 | 25 | 103.1 | 12 | 50.5 |
| For Quick connection | 58.6 | 14 | 25 | 58.6 | 14 | 50.5 |
| For tube welding | 59.6 | 10 | 25 | 59.6 | 10 | 50.5 |

Alfa Laval reserves the right to change specifications without prior notification.

How to contact Alfa Laval

Contact details for all countries
are continually updated on our website.
Please visit www.alfalaval.com to
access the information direct.