



## UniStrut Mount

**Size Range:** 1/4" outside diameter through 4" outside diameter (Group 7A housing).

**Hardware:** 304 Stainless Steel, 316 Stainless Steel, or Electro-Zinc Plated Carbon Steel

**Plastic Inserts:** Polypropylene (blue)  
Santoprene (beige)  
Polysulfone (black)

\*See page 85 for temperature ratings

**Installation:** After unistrut rail position has been established, position 2 unistrut rail nuts in channel where desired to accept plastic inserts. Place pipe or tube in clamp perpendicular to unistrut channel. Torque down on clamp bolts to lock assembly in place.

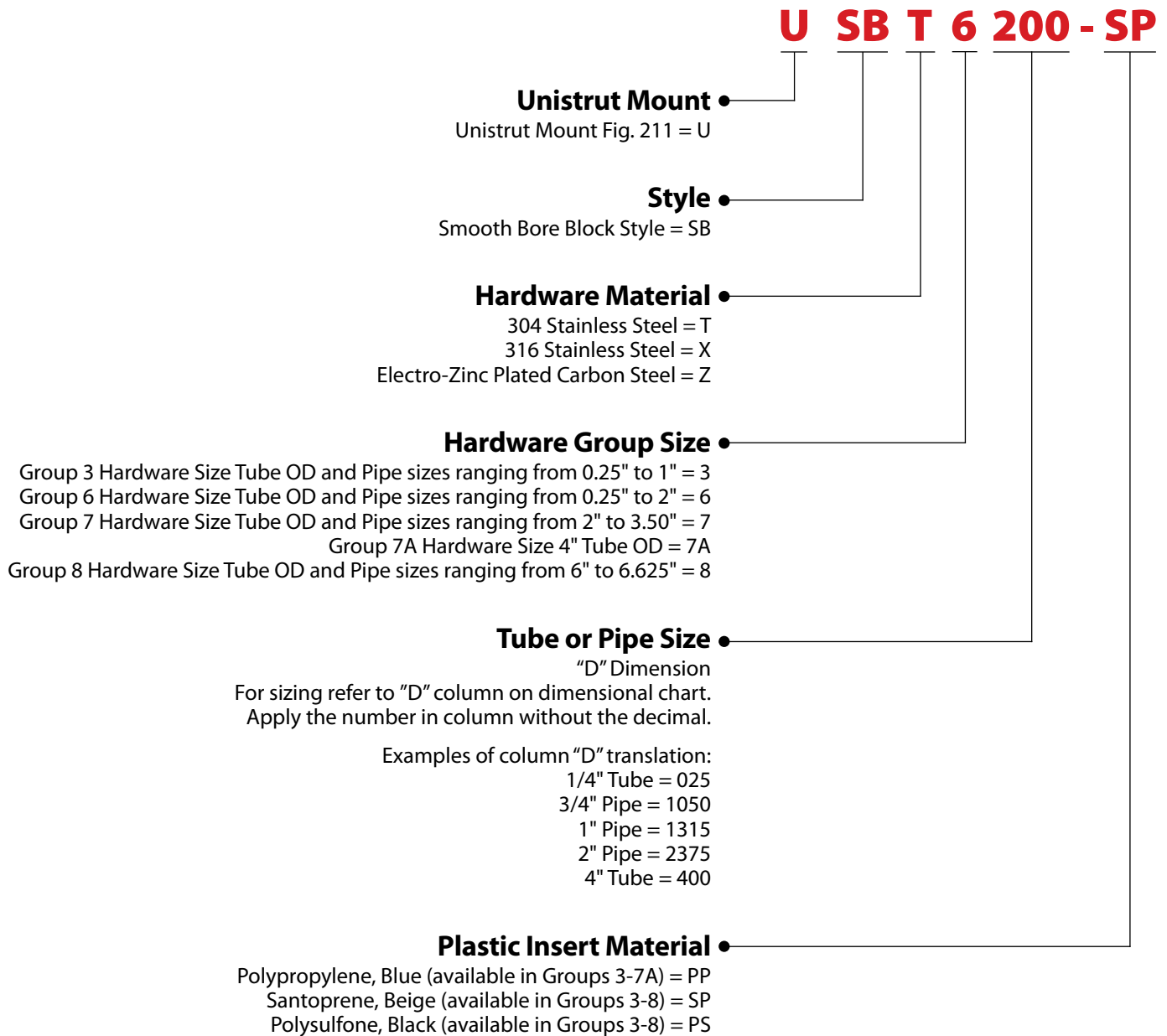
**Thermal Expansion Guide:** (Optional) Provides for axial expansion of the tube or pipe due to thermal expansion. One set of two per clamp (See Fig. 207 in accessories).

**Thermal Expansion Guide Material:** Santoprene, 1/16" insert, Black for service identification

**211 Smooth Bore UniStrut Mount - Part Number Configurator**

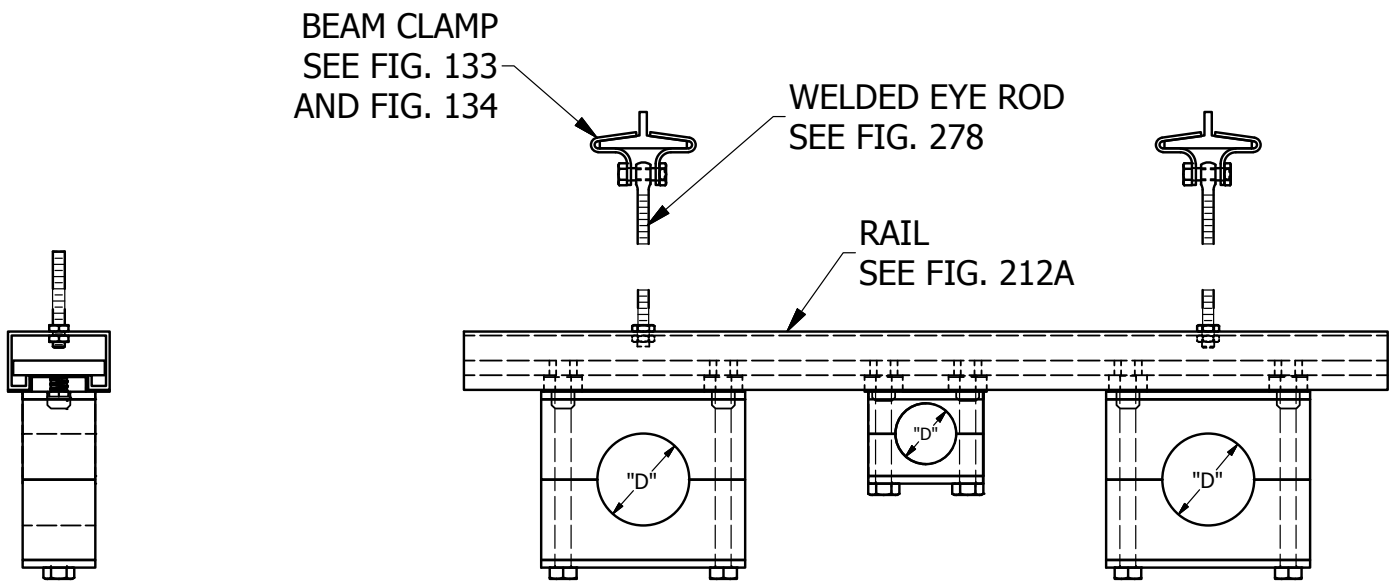
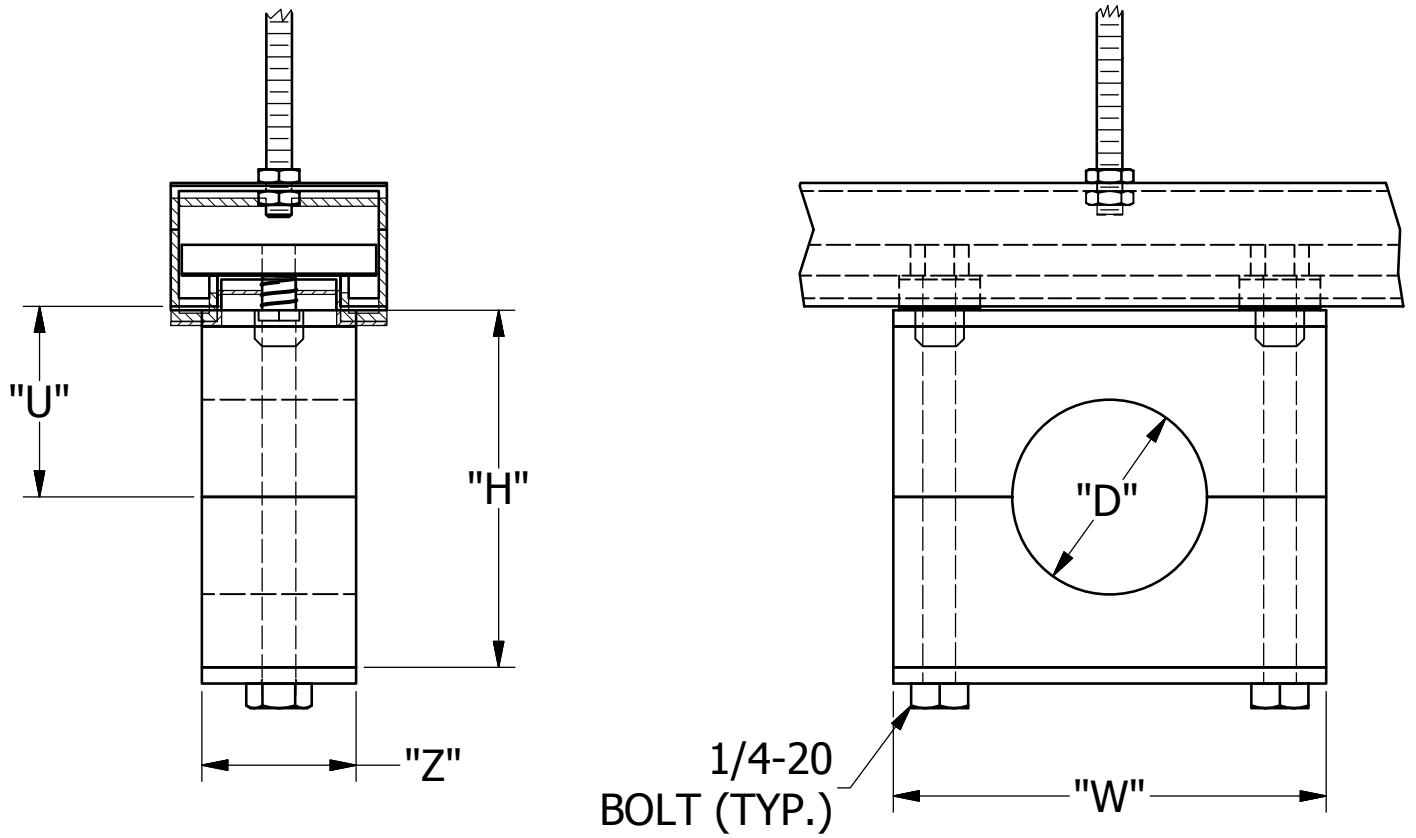
**Part Number Example:**

**U SB T 6 200 - SP**



# FIG. 211

## SMOOTH BORE UNISTRUT MOUNT



# FIG. 211

## SMOOTH BORE UNISTRUT MOUNT

GRP NO.	TUBE OR PIPE SIZE	"D" INCHES	INCHES				LBS.
			W	H	Z	U	
3	1/4 T	0.250	1.88" (48 mm)	1.38" (35 mm)	1.22" (31 mm)	0.75" (19 mm)	0.4 (0.18 kg)
	3/8 T	0.375					
	1/2 T	0.500					
	3/4 T	0.750					
	1/2 P	0.840					
	1 T	1.000					
6	1/4 T	0.250	3.34" (85 mm)	2.63" (67 mm)	1.22" (31 mm)	1.38" (35 mm)	0.6 (0.27 kg)
	3/8 T	0.375					
	1/2 T	0.500					
	5/8 T	0.625					
	3/4 T	0.750					
	1/2 P	0.840					
	7/8 T	0.875					
	1 T	1.000					
	3/4 P	1.050					
	1-1/4 T	1.250					
	1 P	1.315					
	1-1/2 T	1.500					
	1-1/4 P	1.660					
	1-1/2 P	1.900					
2 T	2.000						
7	2 T	2.000	5.00" (127 mm)	4.38" (111 mm)	1.22" (31 mm)	2.25" (57 mm)	1.1 (0.50 kg)
	2 P	2.375					
	2-1/2 T	2.500					
	2-1/2 P	2.875					
	3 T	3.000					
	3-1/2 T -3 P	3.500					
7A	4 T	4.000	5.77" (147 mm)	4.8" (122 mm)	1.22" (31 mm)	2.48" (62 mm)	1.5 (0.68 kg)

# FIG. 211

## SMOOTH BORE UNISTRUT MOUNT

**Figure 211  
Unistrut Mount**

