

TOLERANCES:
 Unless otherwise stated, all dimensions have a tolerance of:
 x.xxx ± 0.010"
 x.xx ± 0.030"
 ANGLES ± 1°

PROPRIETARY AND CONFIDENTIAL
 THE INFORMATION CONTAINED IN THIS DRAWING IS THE SOLE PROPERTY OF SEMI EXACT, LLC. ANY REPRODUCTION IN PART OR AS A WHOLE WITHOUT WRITTEN PERMISSION OF SEMI EXACT IS PROHIBITED.

MATERIAL:
 14 GAUGE HRPO

Elton Approval:
 Matt Approval:
 ENG Approval:
 DRAWN nate volat 5/11/2021

PROJECT
 SemiExact

TITLE
 tapred leg 6

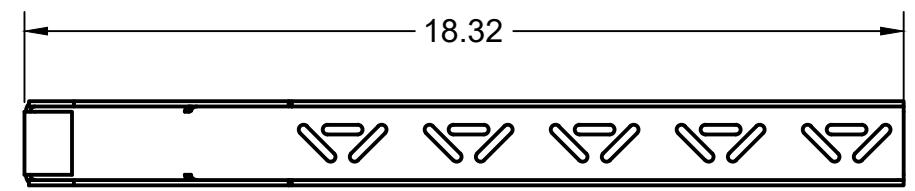
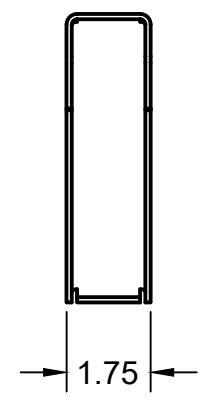
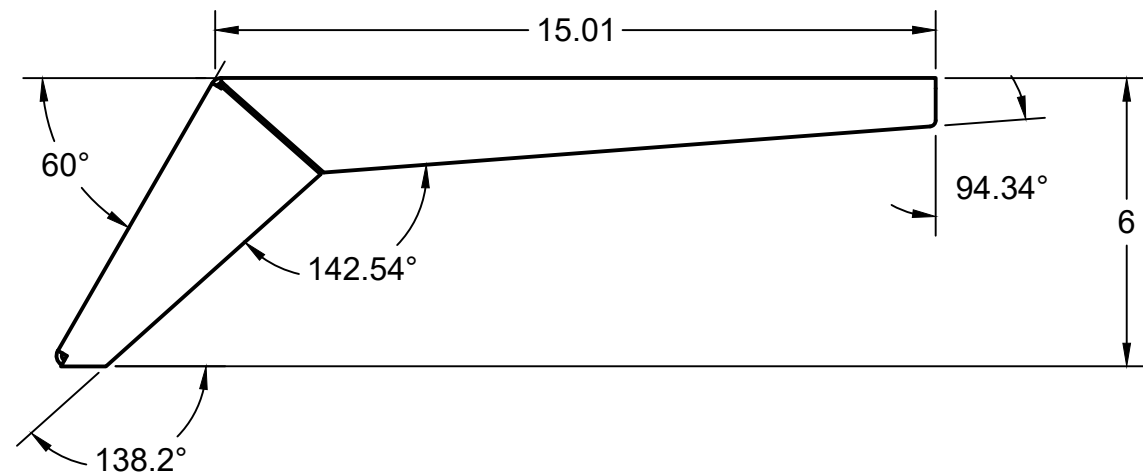
PART NO.

SIZE
 B

SHEET
 1/3

REV P

NOTES
 NO BURRS OR SHARP EDGES
 SURFACES FREE OF BLEMISHES



TOLERANCES:
 Unless otherwise stated, all dimensions have a tolerance of:
 x.xxx ± 0.010"
 x.xx ± 0.030"
 ANGLES ± 1°

PROPRIETARY AND CONFIDENTIAL
 THE INFORMATION CONTAINED IN THIS DRAWING IS THE SOLE PROPERTY OF SEMI EXACT, LLC. ANY REPRODUCTION IN PART OR AS A WHOLE WITHOUT WRITTEN PERMISSION OF SEMI EXACT IS PROHIBITED.

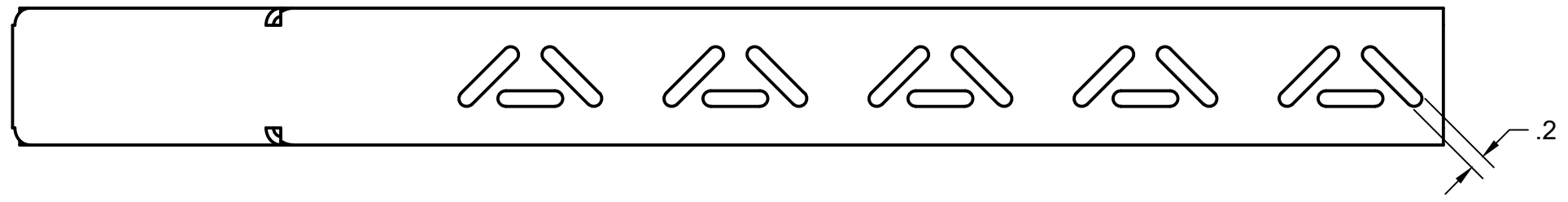
MATERIAL:
 14 GAUGE HRPO

Elton Approval:
 Matt Approval:
 ENG Approval:
 DRAWN nate volat 5/11/2021

| | | |
|------------------------------|--------------|----------|
| PROJECT SemiExact | | |
| TITLE tapred leg 6 | | |
| PART NO. | | |
| SIZE B | SHEET 2/3 | REV P |

NOTES

NO BURRS OR SHARP EDGES
 SURFACES FREE OF BLEMISHES



TOLERANCES:
 Unless otherwise stated, all dimensions have a tolerance of:
 x.xxx ± 0.010"
 x.xx ± 0.030"
 ANGLES ± 1°

PROPRIETARY AND CONFIDENTIAL
 THE INFORMATION CONTAINED IN THIS DRAWING IS THE SOLE PROPERTY OF SEMI EXACT, LLC. ANY REPRODUCTION IN PART OR AS A WHOLE WITHOUT WRITTEN PERMISSION OF SEMI EXACT IS PROHIBITED.

MATERIAL:
 14 GAUGE HRPO

Elton Approval:
 Matt Approval:

ENG Approval:
 DRAWN nate volat 5/11/2021

PROJECT
 SemiExact

TITLE
 tapred leg 6

| | | |
|------------------|---------------------|-----------------|
| PART NO. | | |
| SIZE B | SHEET 3/3 | REV P |

NOTES
 NO BURRS OR SHARP EDGES
 SURFACES FREE OF BLEMISHES