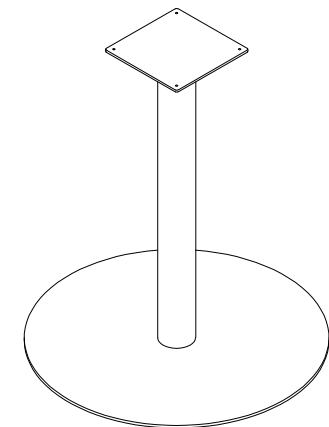
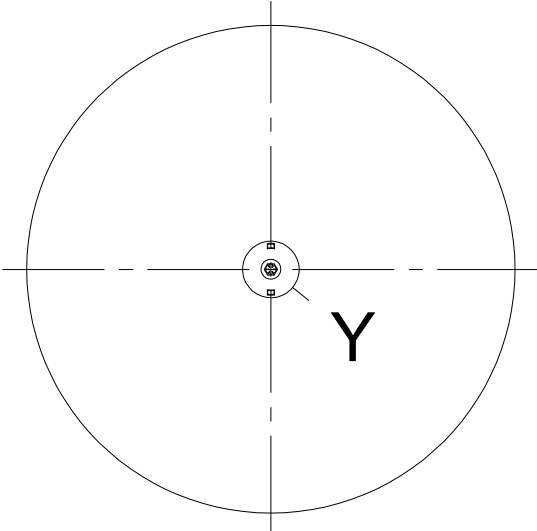
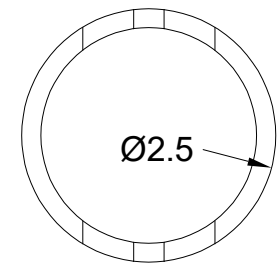
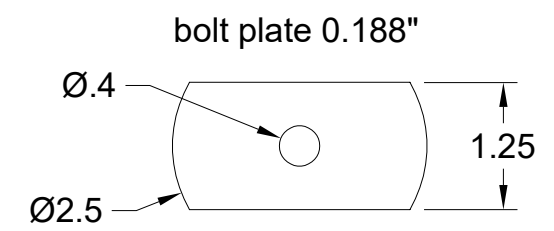
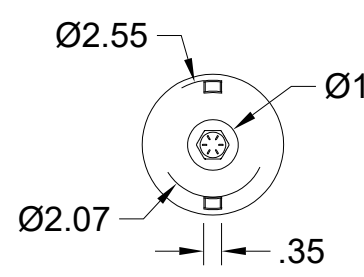


DETAIL Y
SCALE 1:4



NOTES:
 1. PART TO BE FREE OF BURRS AND SHARP EDGES.
 2. ALL WELDS TO BE FREE OF SPATTER.

APPROVED		PROJECT		
		SemiExact		
CHECKED		TITLE		
		Ped Base Round		
DRAWN	ZKO	17.5.2023	SCALE 1:16	WEIGHT 46.37 lb
SHEET 1/1		REV 1		