

4

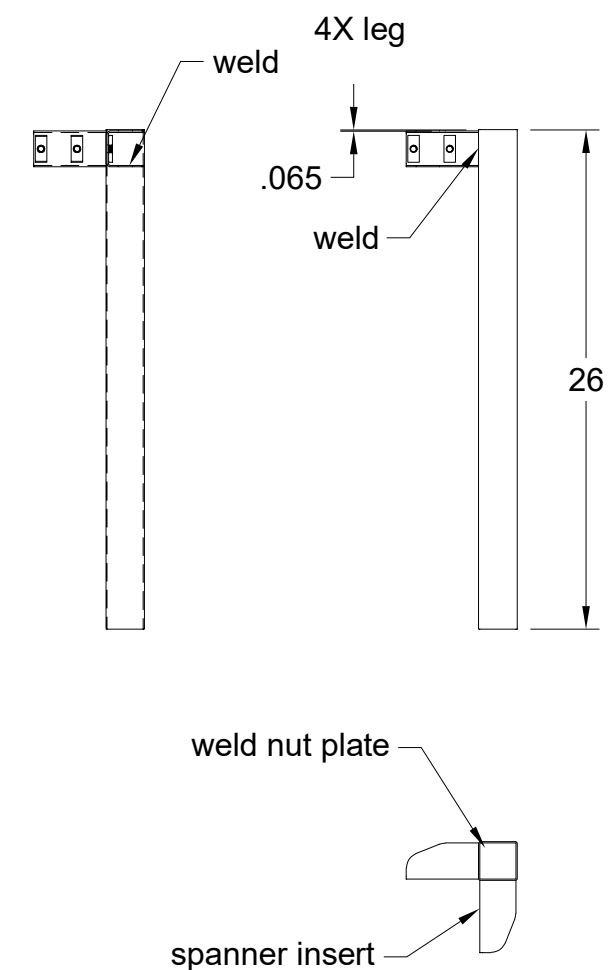
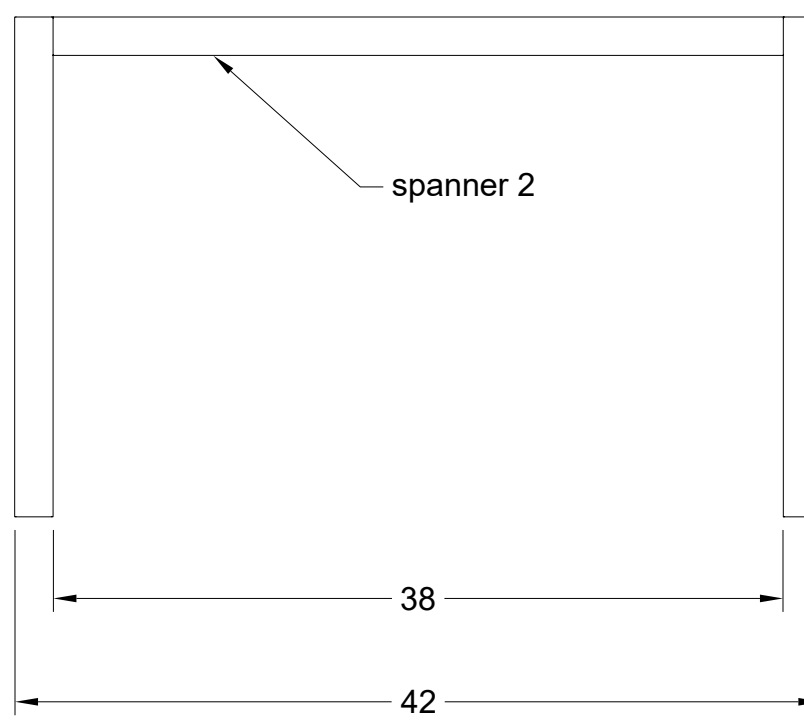
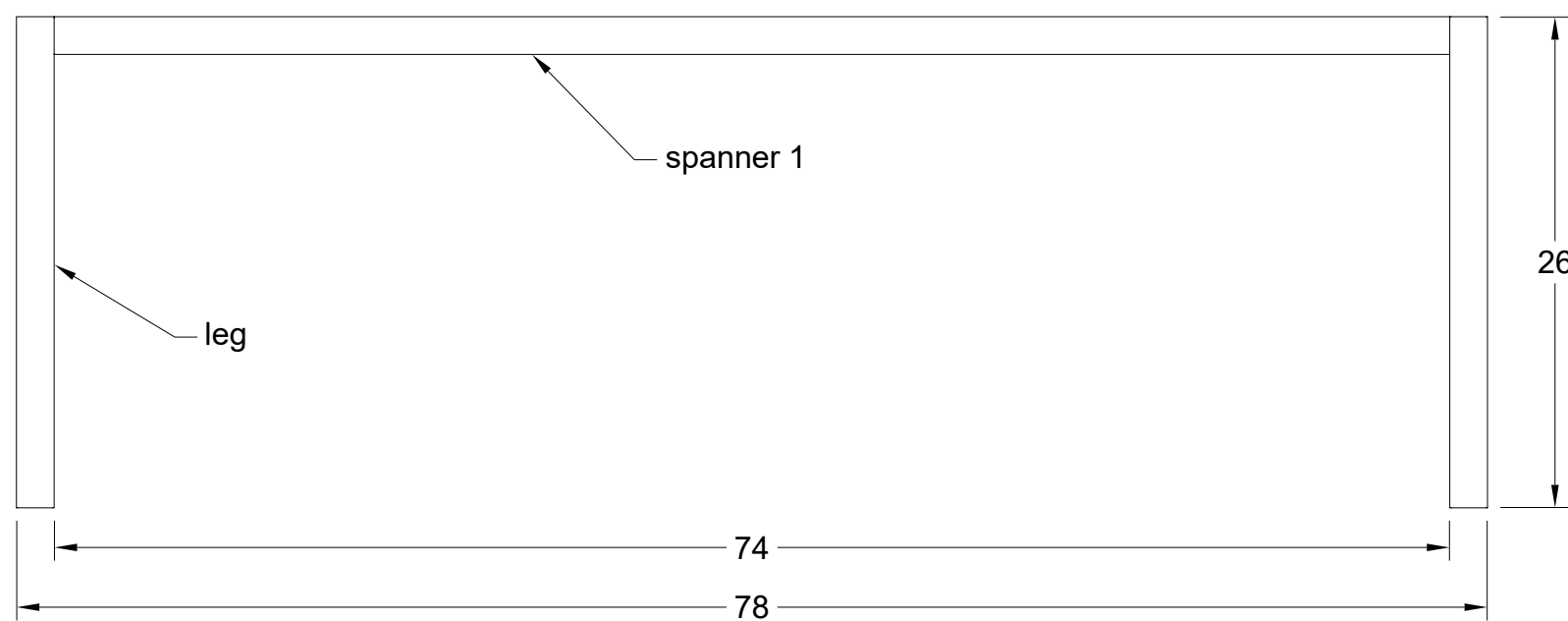
3

2

1

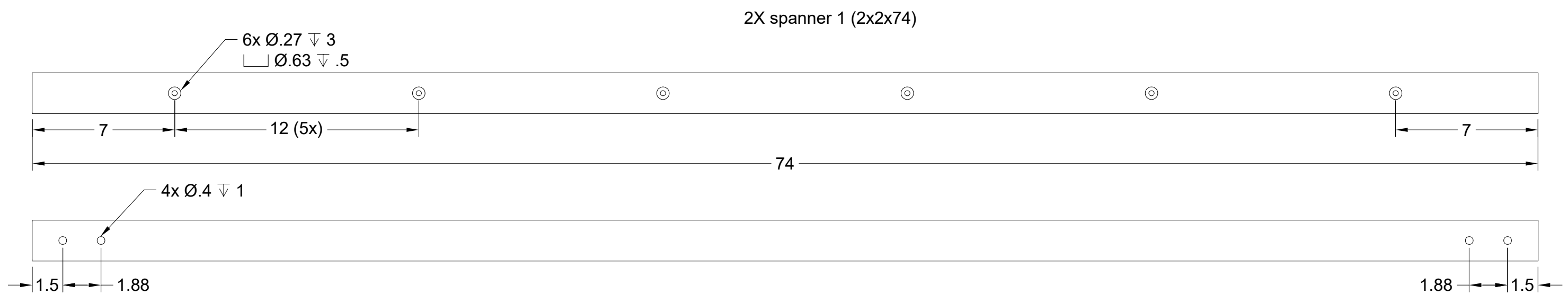
D

D



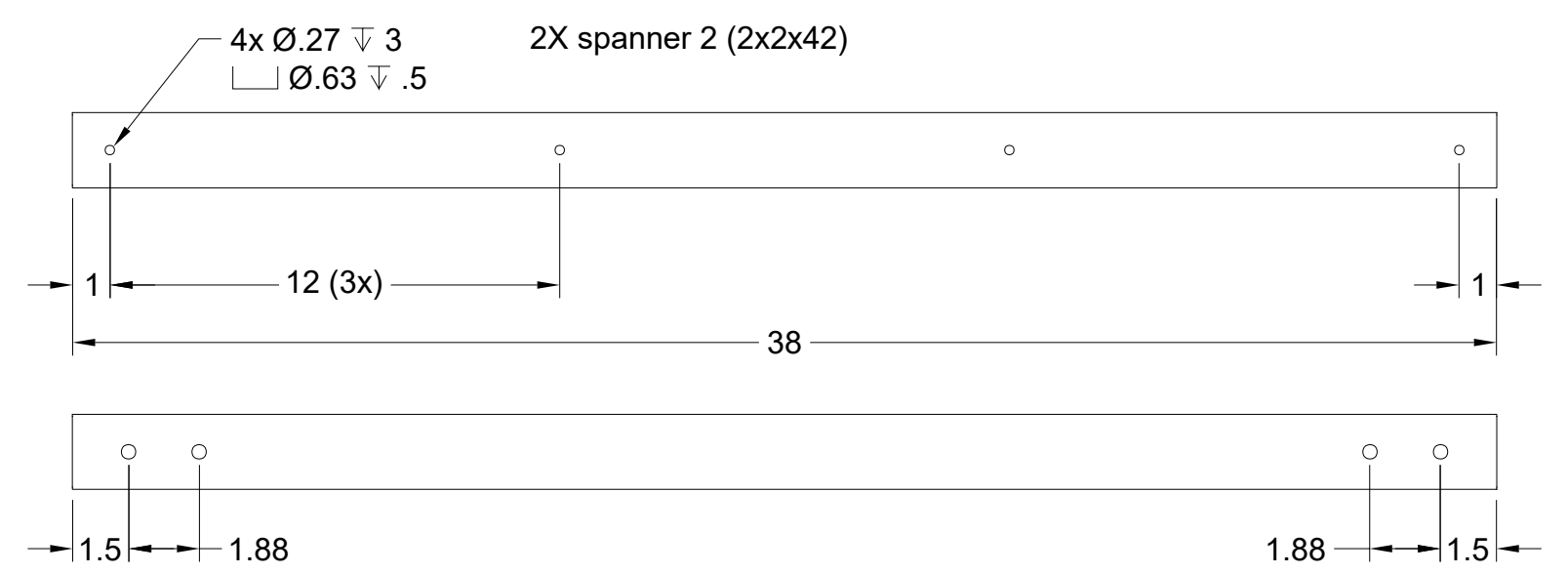
C

C



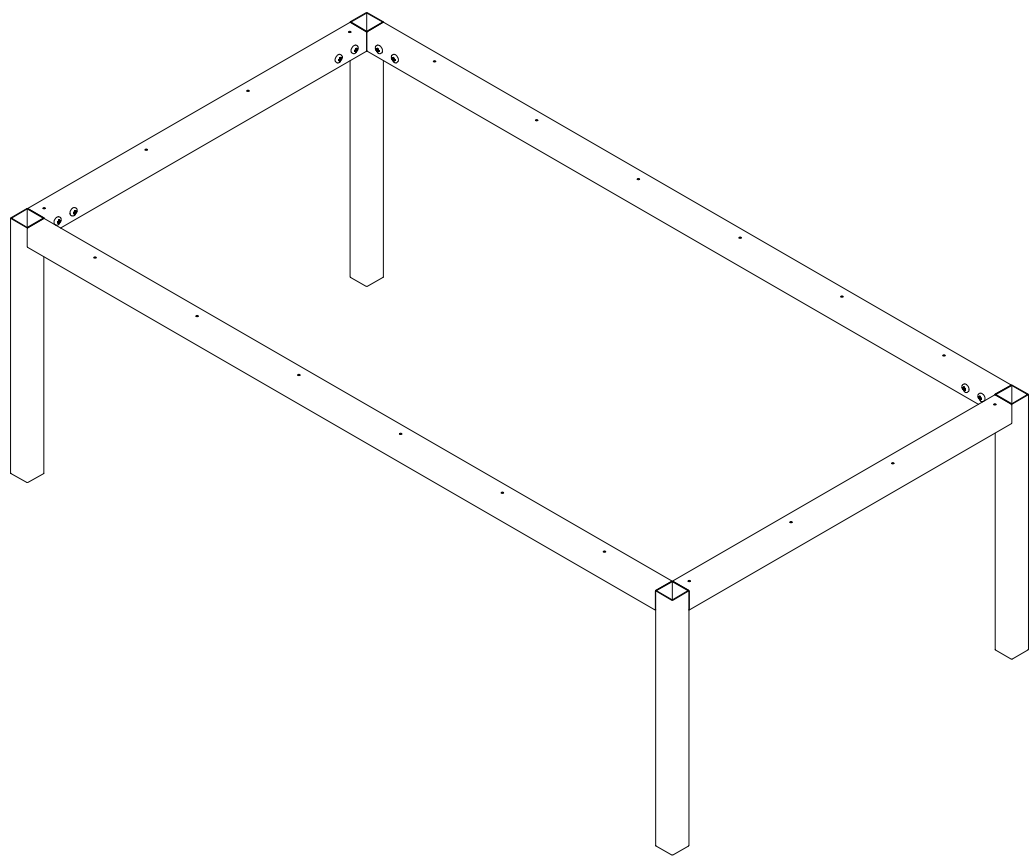
B

B



A

A



4

3

2

1

		PROJECT			
		<b>Semi Exact</b>			
		TITLE			
		<b>Parsons Table</b>			
APPROVED	SIZE	CODE	DWG NO	REV	
CHECKED	C			3	
DRAWN ZKO	25.5.2023	SCALE 1:10	WEIGHT 223 lb	SHEET 1/1	