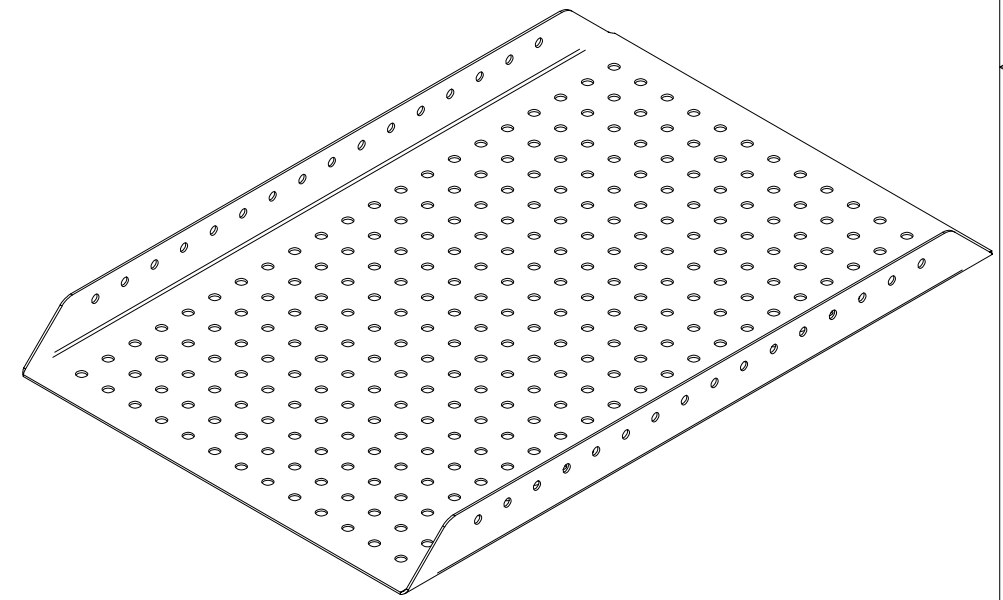
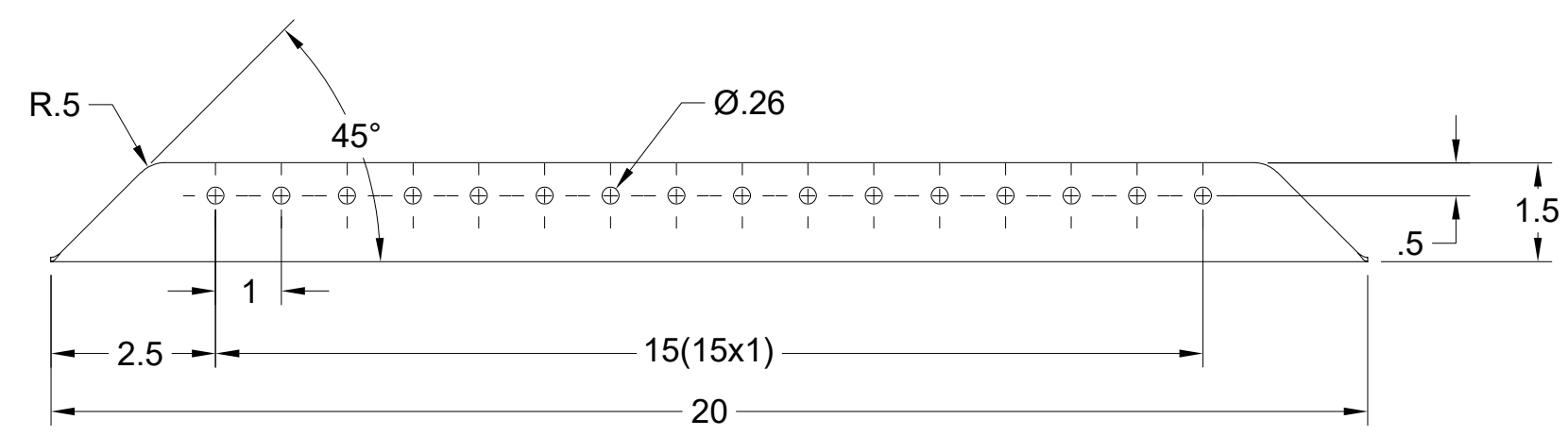
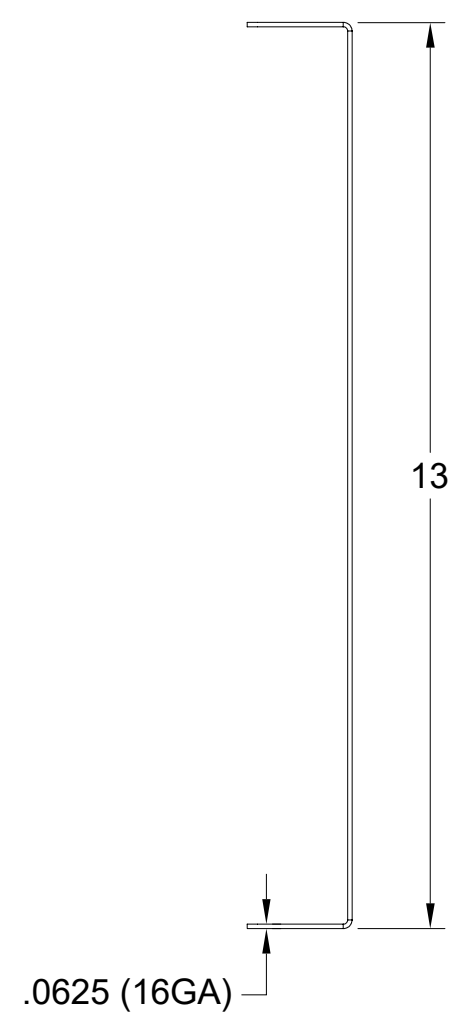
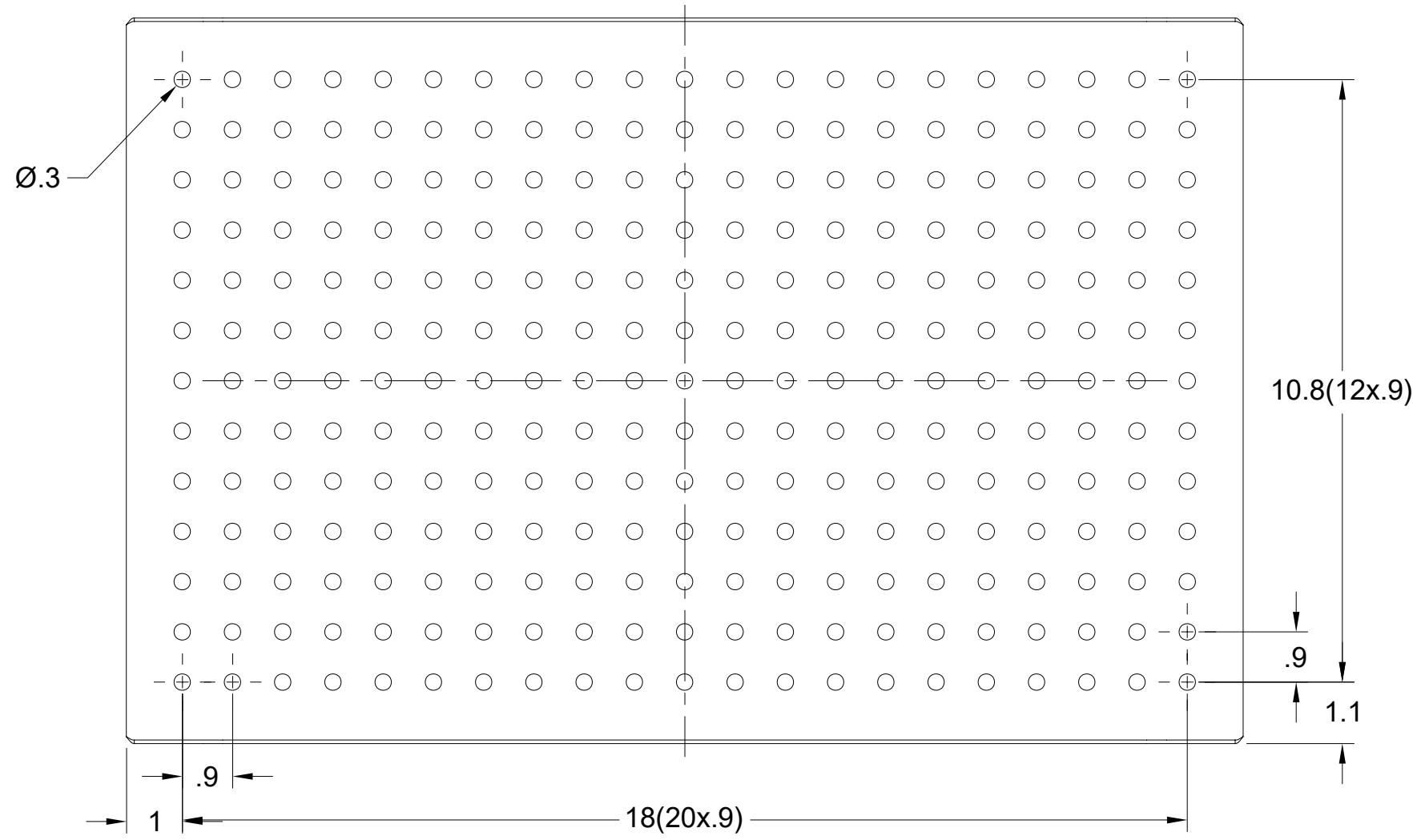
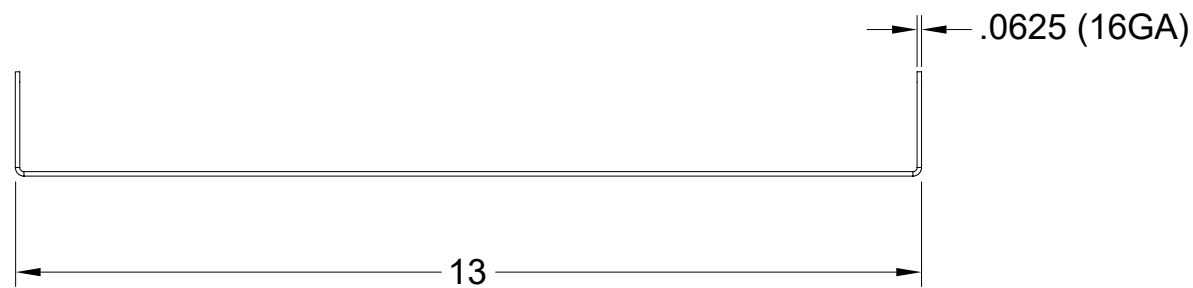
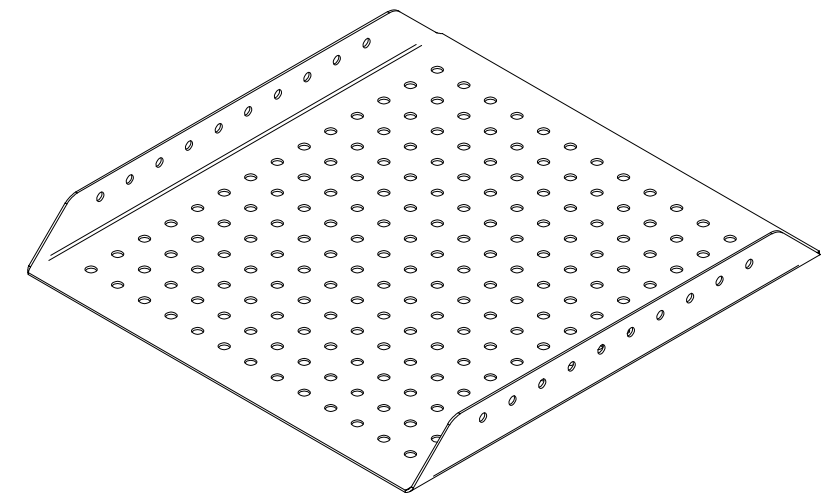
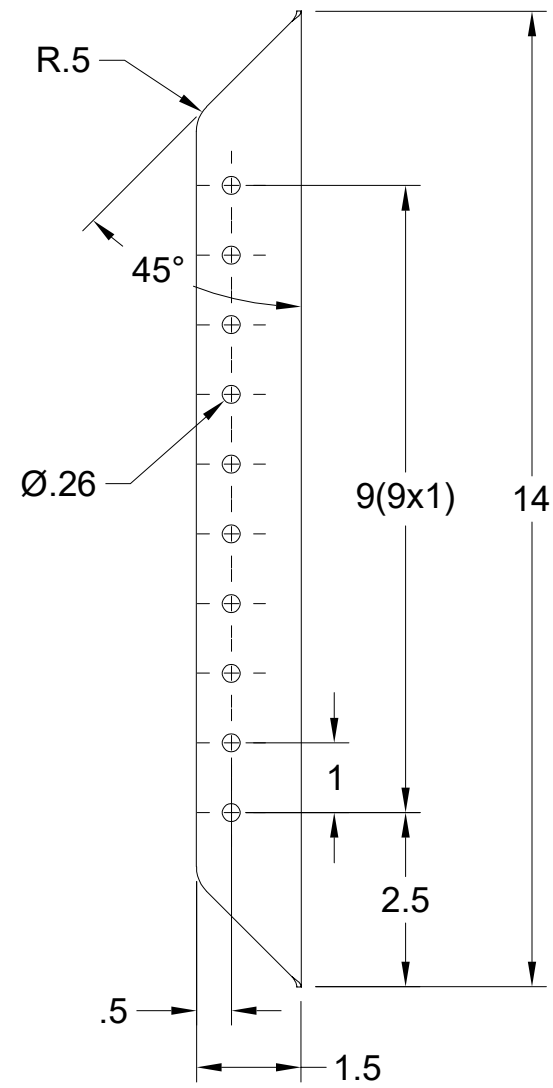
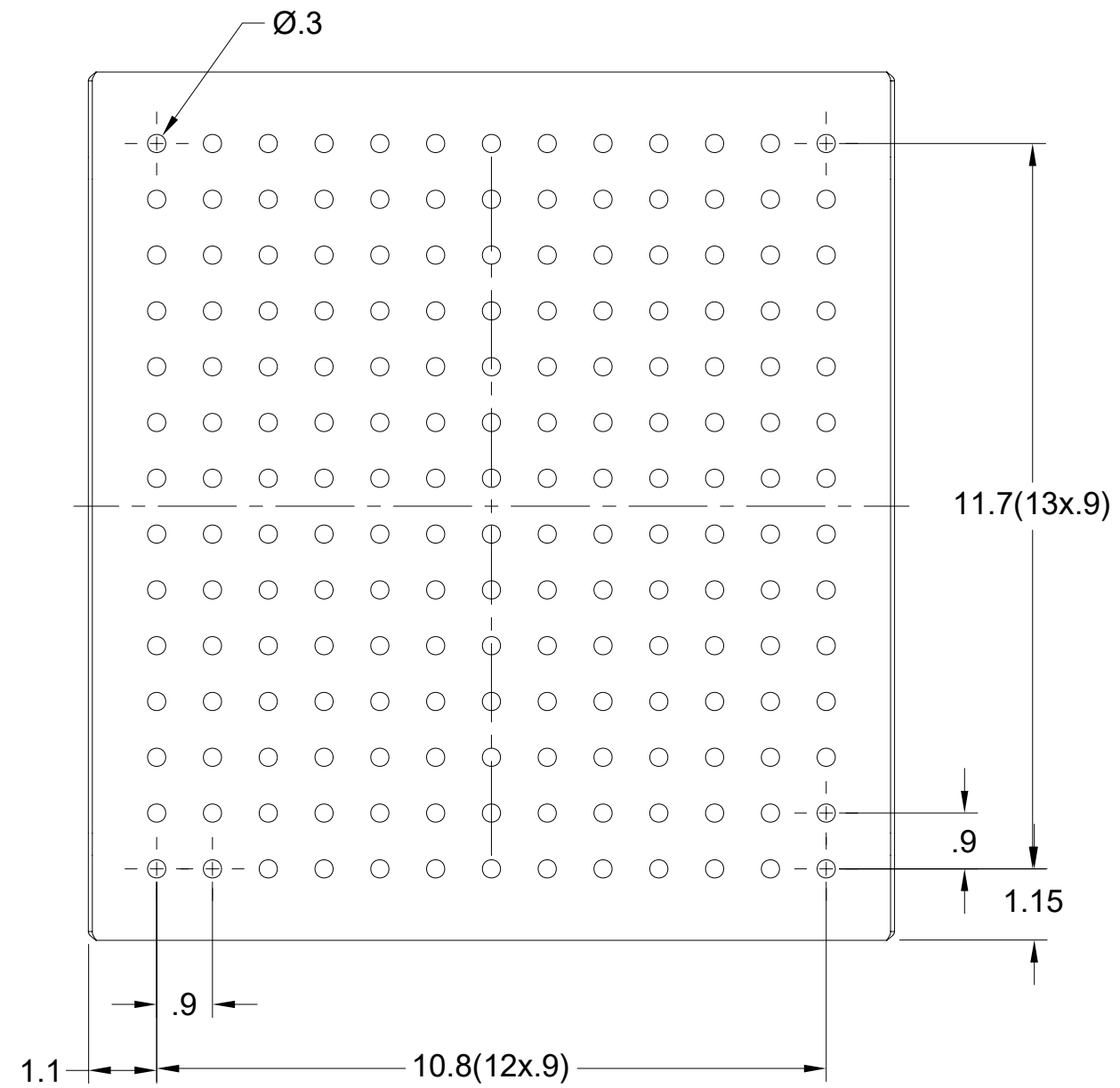


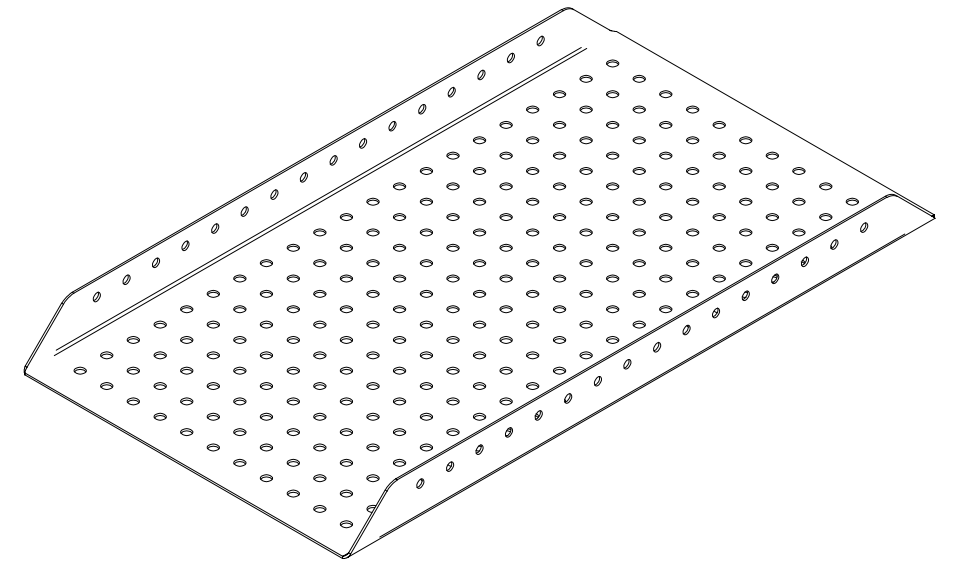
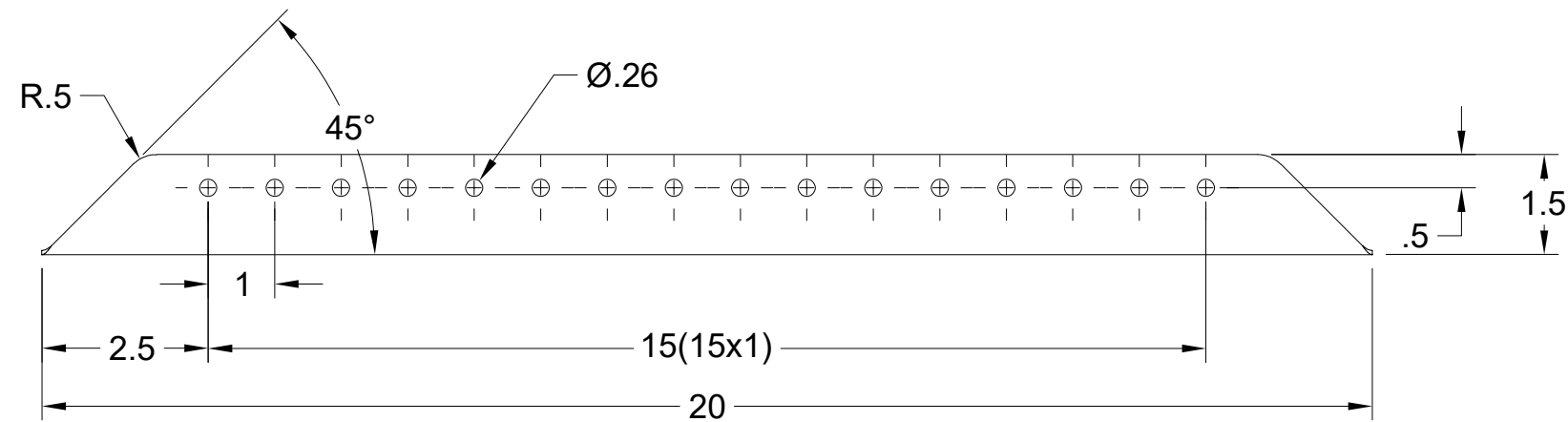
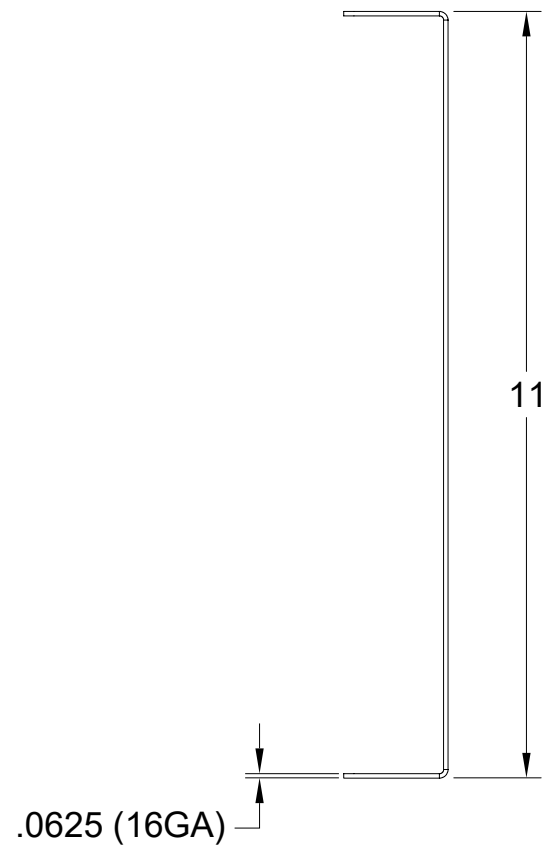
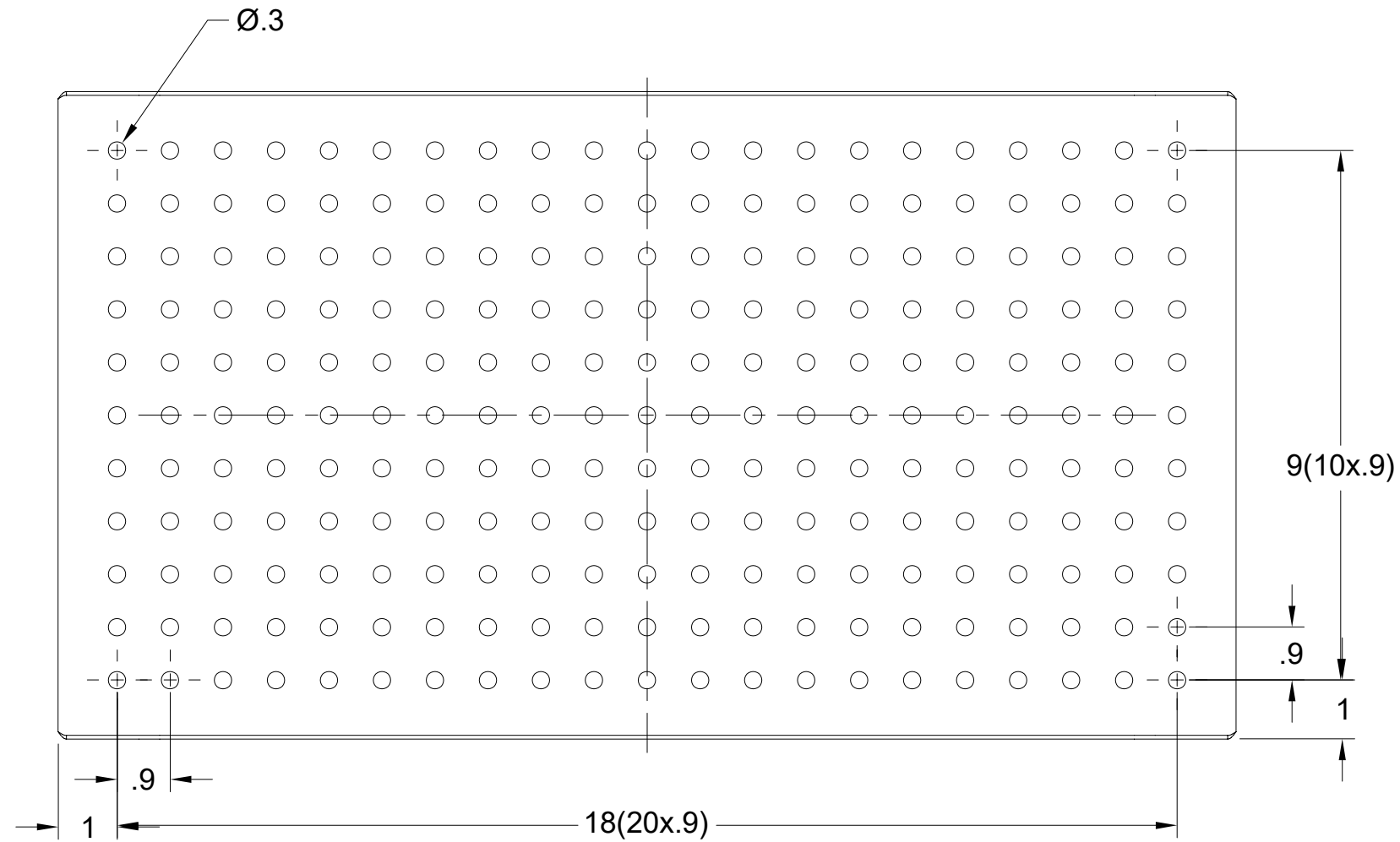
		PROJECT			REV
		Semi Exact			
		TITLE			B
		Perforated Shelf 14 x 14			
APPROVED	SIZE	CODE	DWG NO	REV	
CHECKED	B			B	
DRAWN	ZKO	16.6.2023	SCALE 1:2	WEIGHT	SHEET 1/1



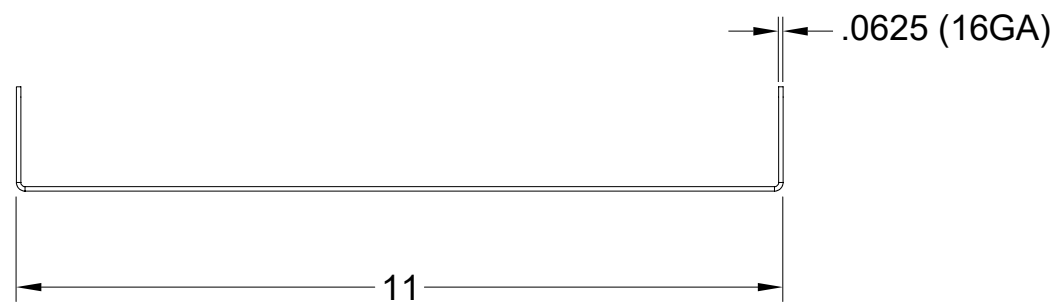
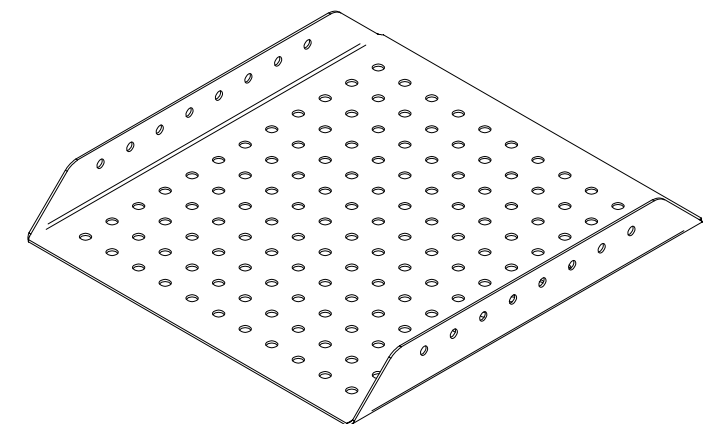
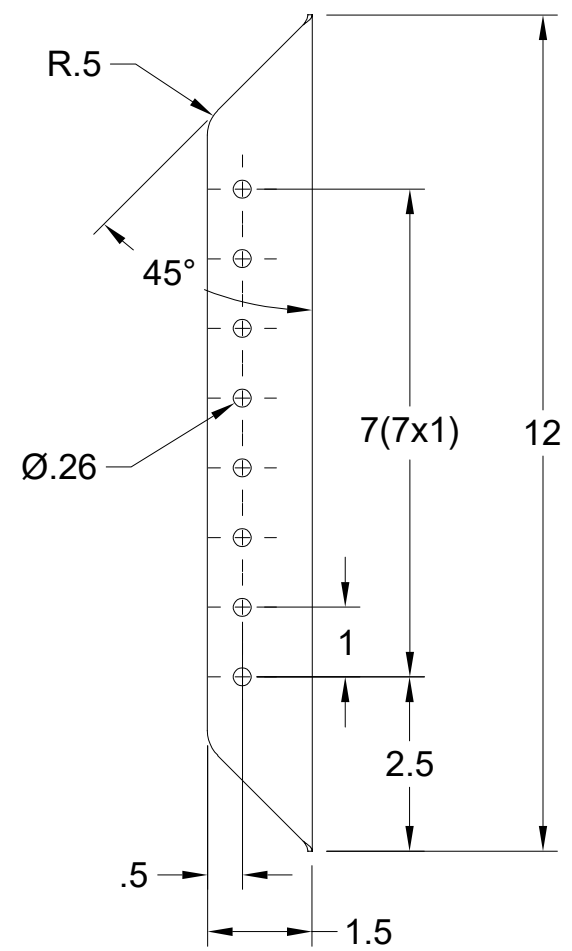
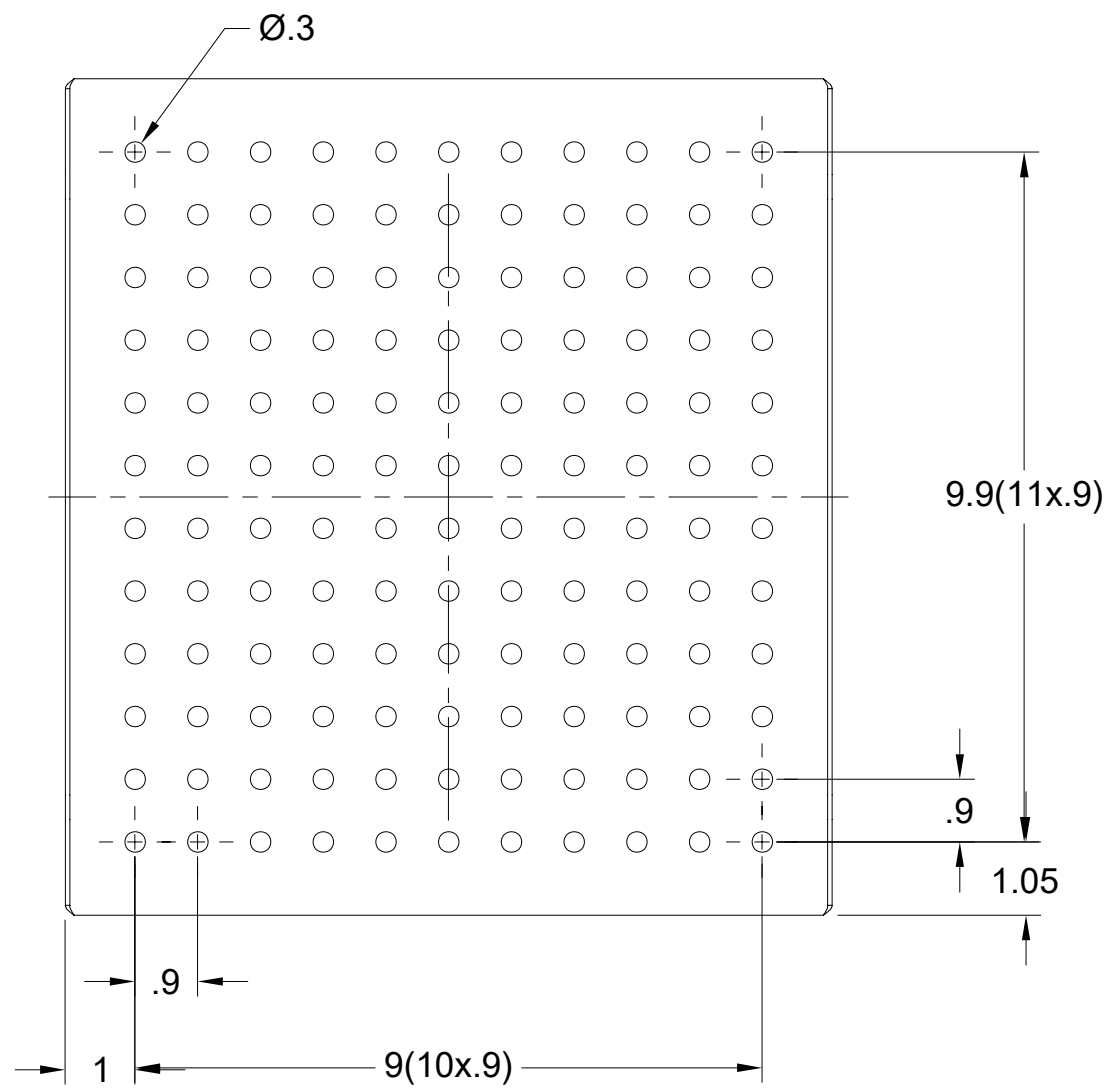
		PROJECT		
		<b>Semi Exact</b>		
		TITLE		
		<b>Perforated Shelf 13 x 20</b>		
APPROVED	SIZE	CODE	DWG NO	REV
CHECKED	B			
DRAWN	ZKO	1.5.2023	SCALE 1:2	WEIGHT
			SHEET 1/1	



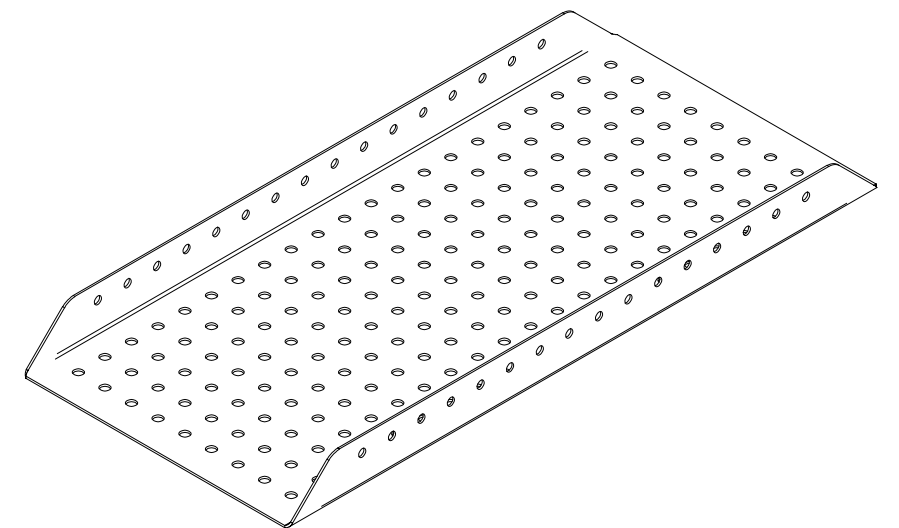
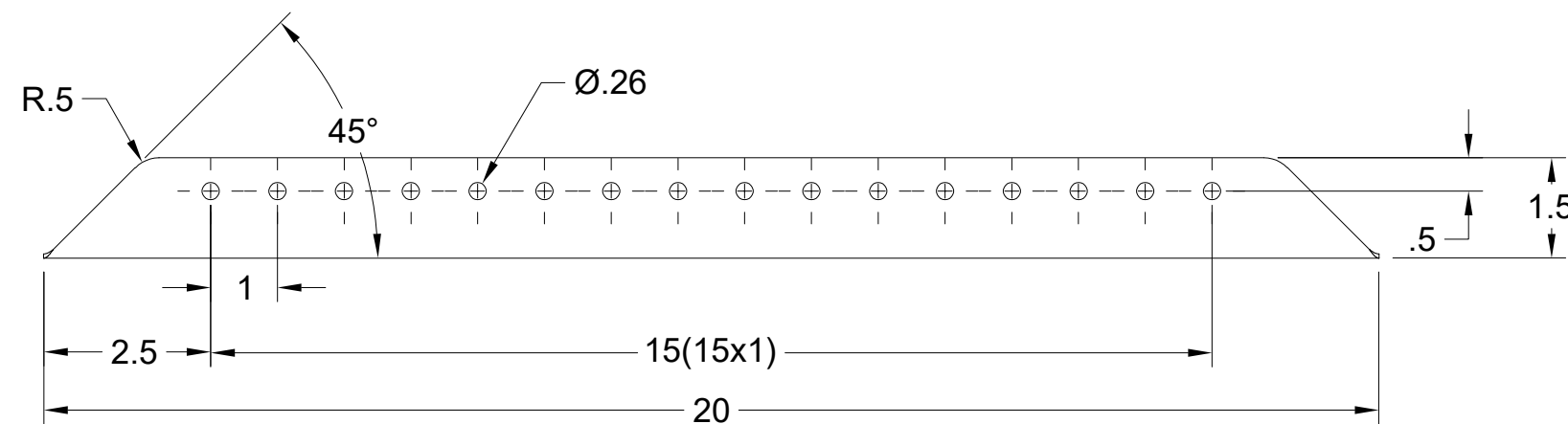
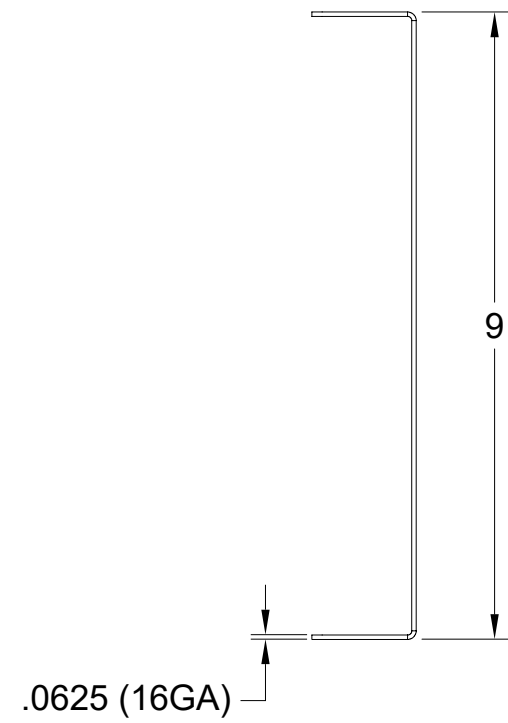
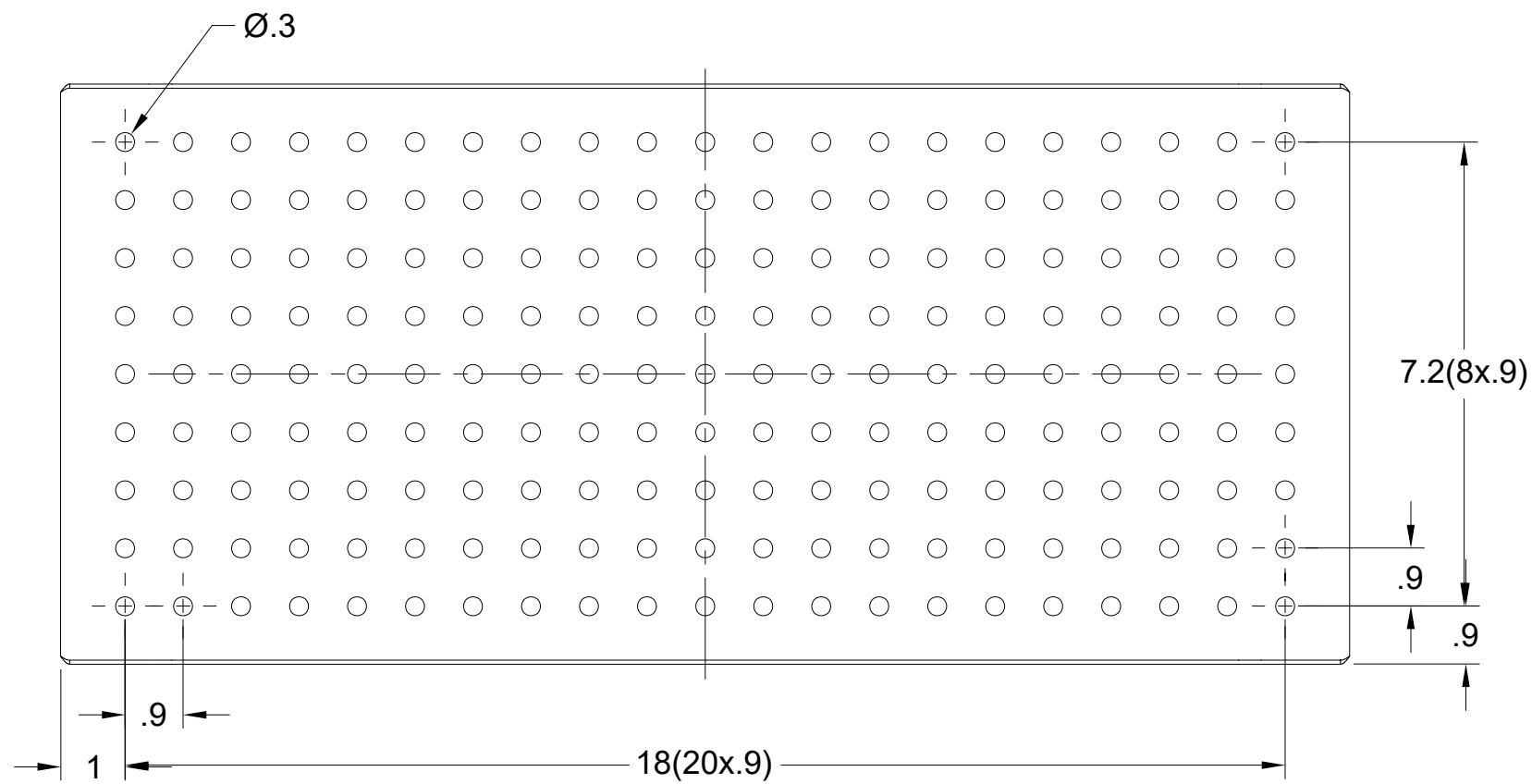
		PROJECT			
		<b>Semi Exact</b>			
		TITLE			
		<b>Perforated Shelf 13 x 14</b>			
APPROVED	SIZE	CODE	DWG NO	REV	
CHECKED	B				
DRAWN ZKO	1.5.2023	SCALE 1:2	WEIGHT	SHEET 1/1	



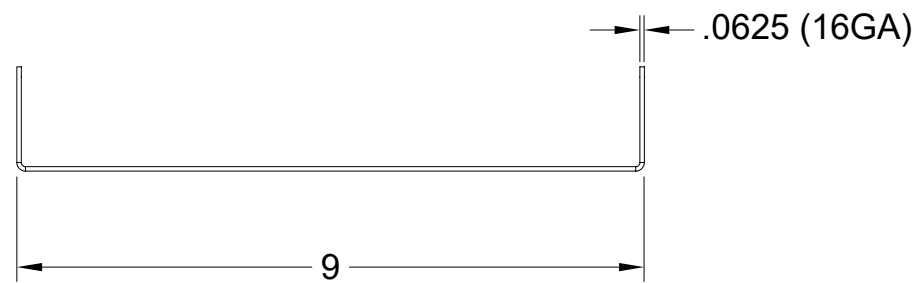
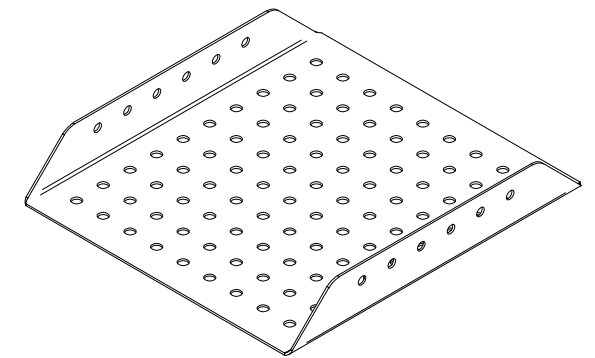
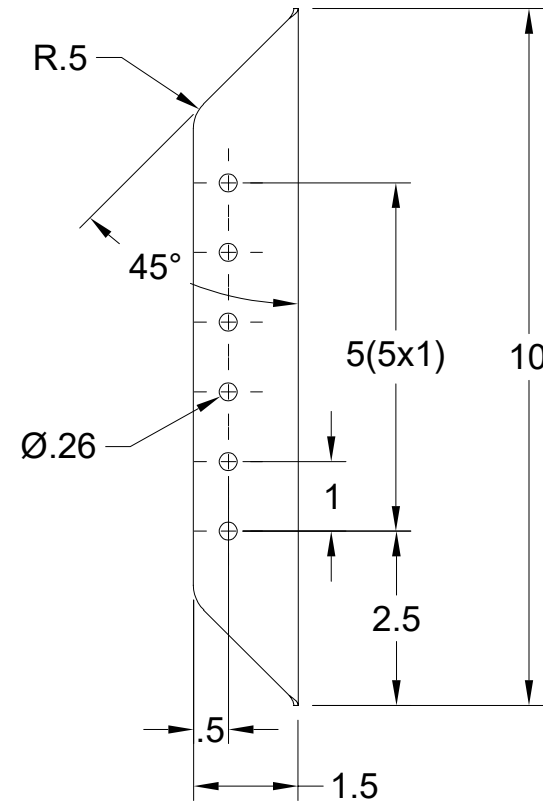
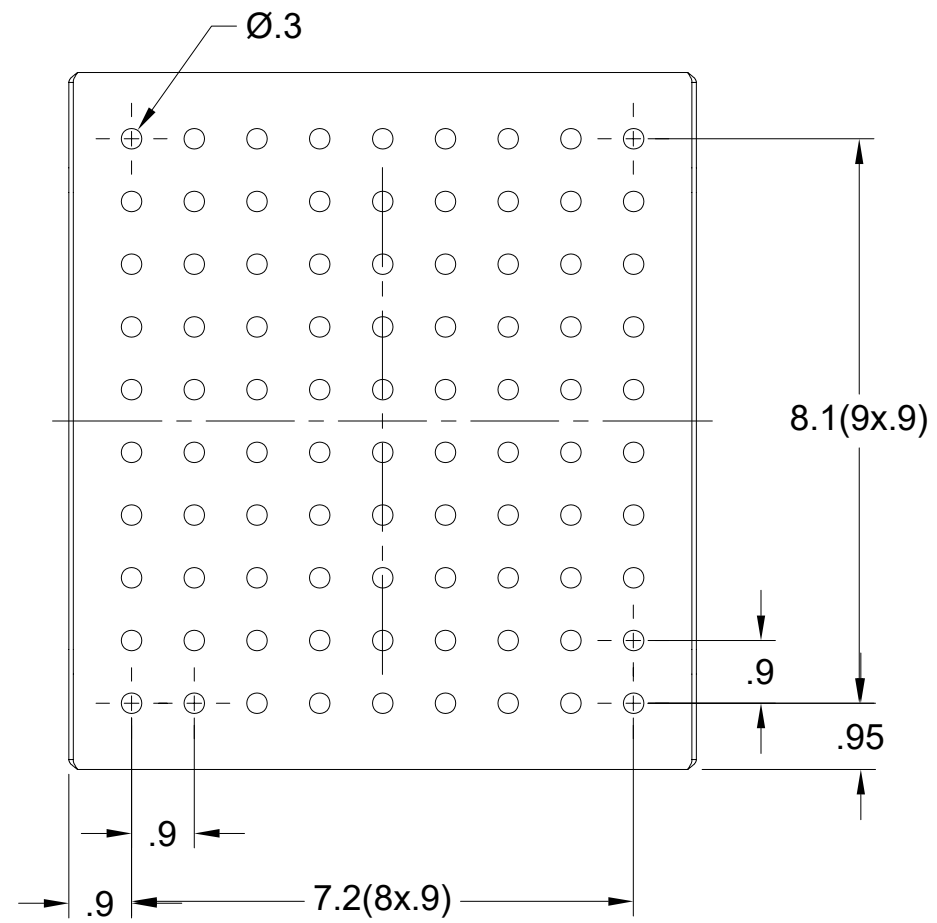
		PROJECT		
		<b>Semi Exact</b>		
		TITLE		
		<b>Perforated Shelf 11 x 20</b>		
APPROVED	SIZE	CODE	DWG NO	REV
CHECKED	B			
DRAWN	ZKO	1.5.2023	SCALE 1:2	WEIGHT
			SHEET 1/1	



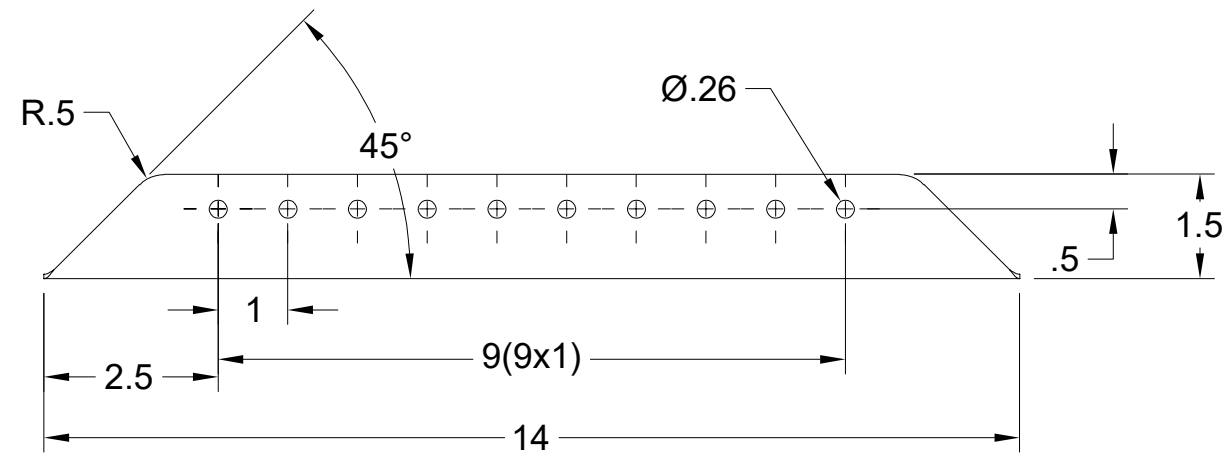
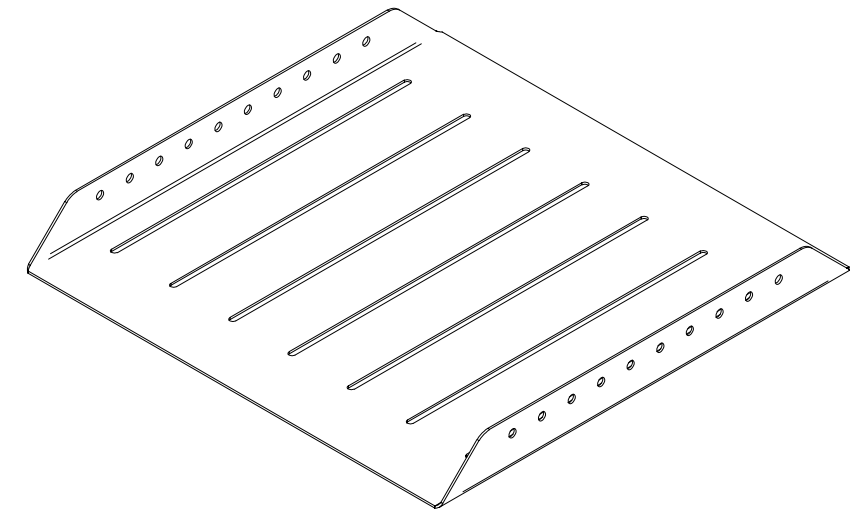
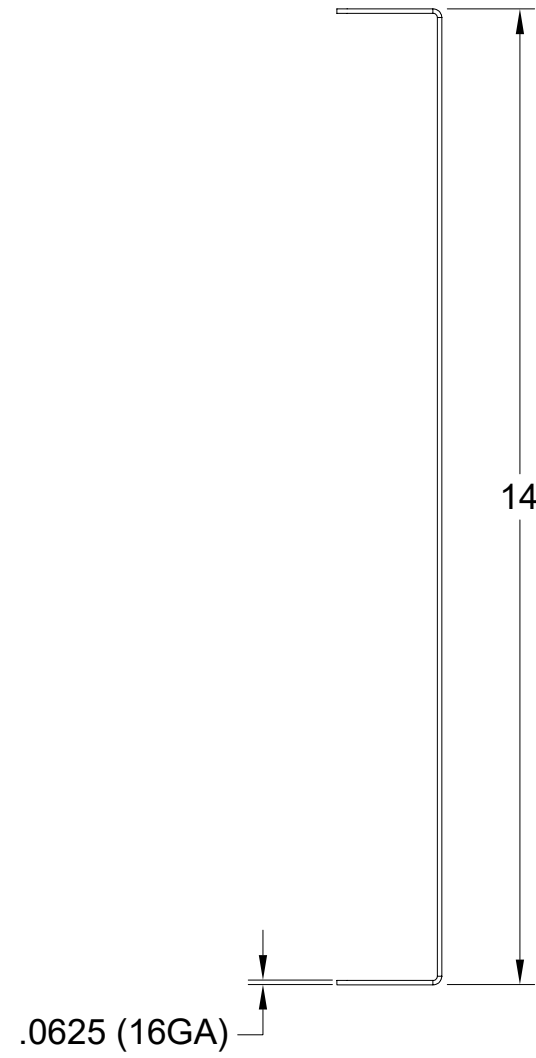
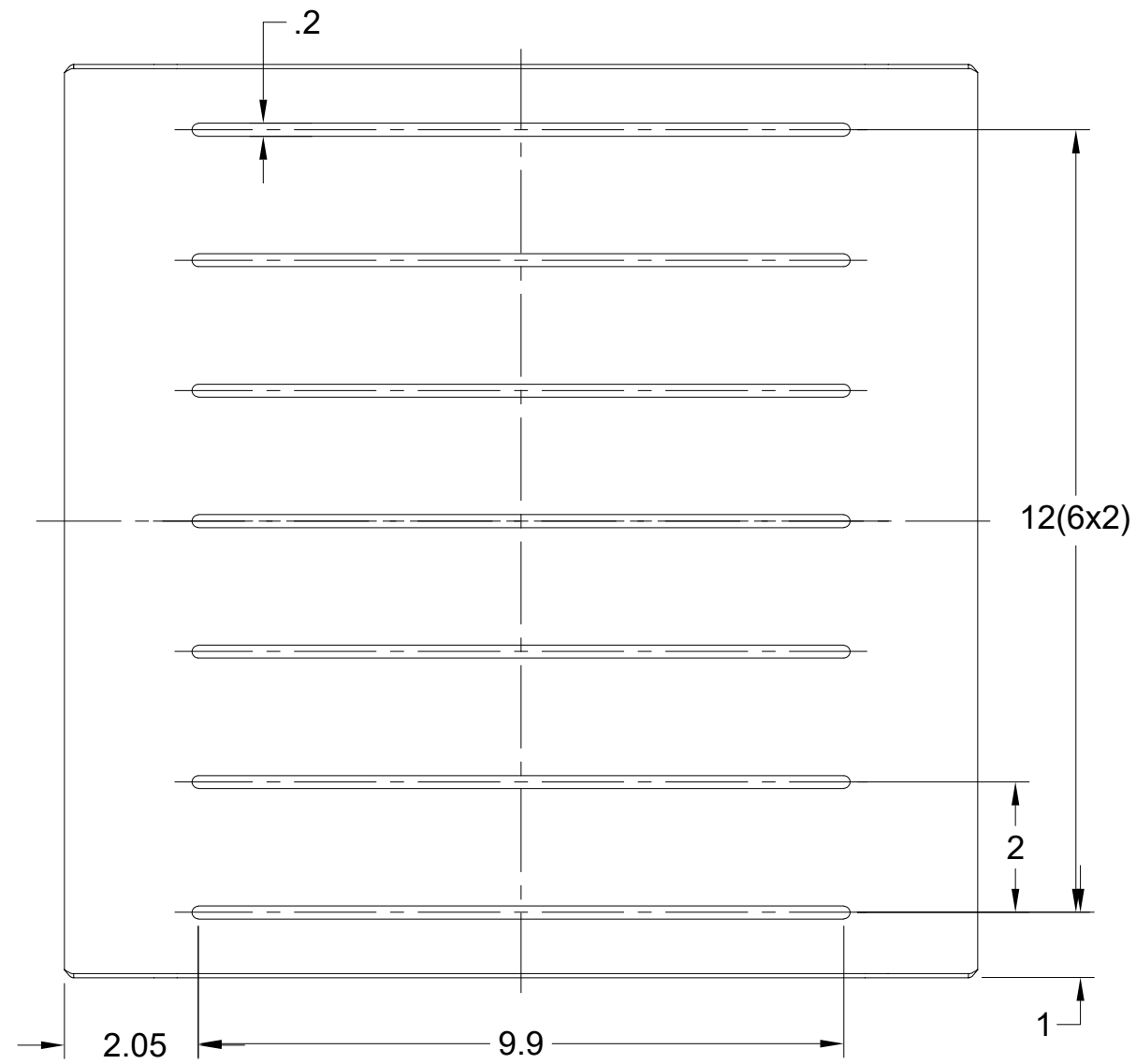
		PROJECT		
		<b>Semi Exact</b>		
		TITLE		
		<b>Perforated Shelf 11 x 12</b>		
APPROVED	SIZE	CODE	DWG NO	REV
CHECKED	B			
DRAWN	Pero Maleot	1.5.2023	SCALE 1:2	WEIGHT
			SHEET 1/1	



		PROJECT			
		<b>Semi Exact</b>			
		TITLE			
		<b>Perforated Shelf 9 x 20</b>			
APPROVED	SIZE	CODE	DWG NO	REV	
CHECKED	B				
DRAWN	ZKO	1.5.2023	SCALE 1:2	WEIGHT	
			SHEET 1/1		

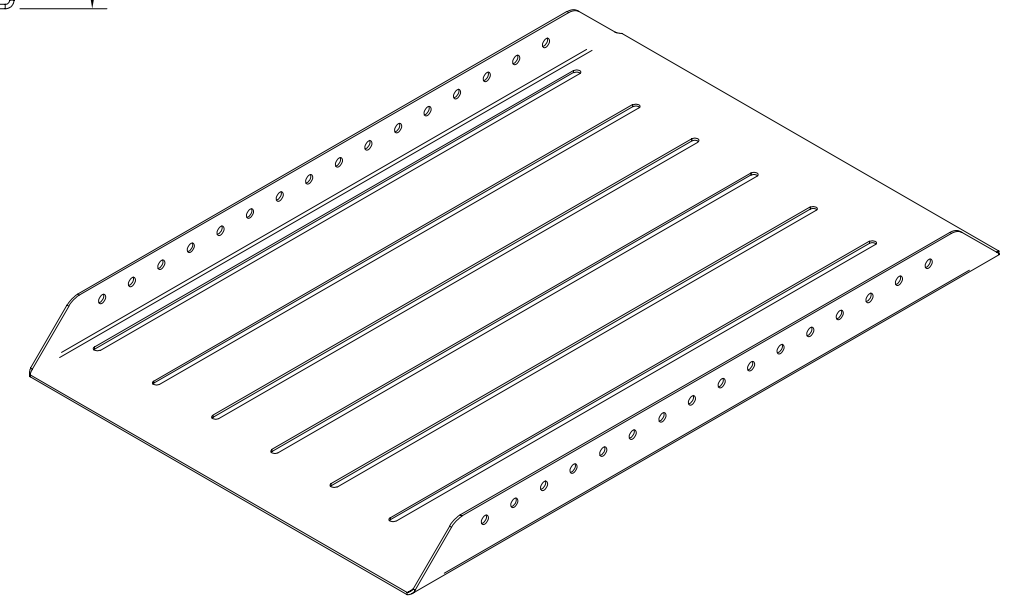
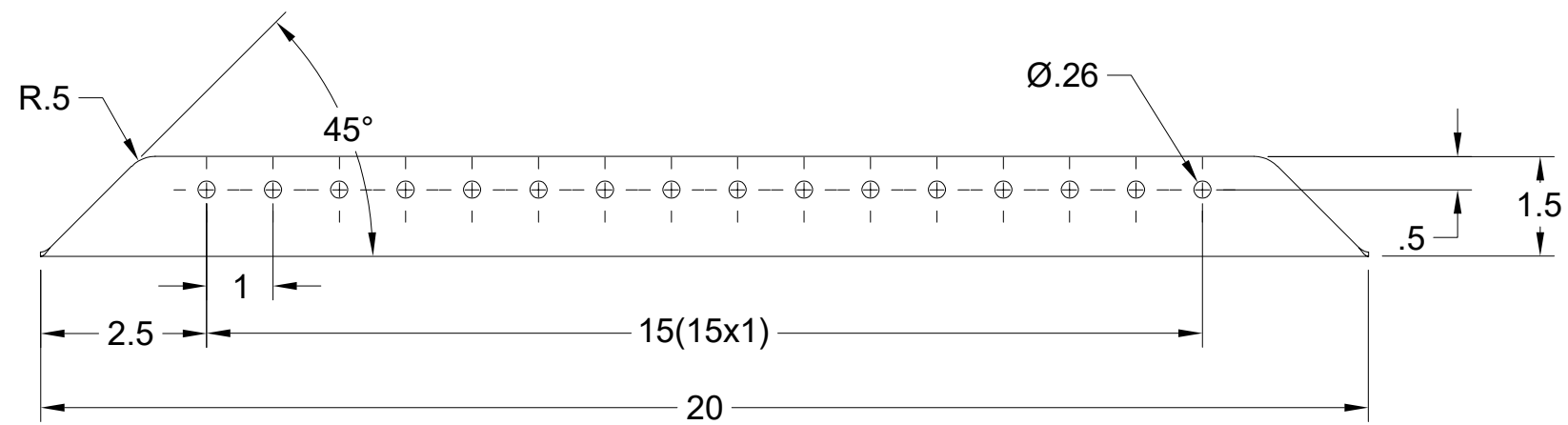
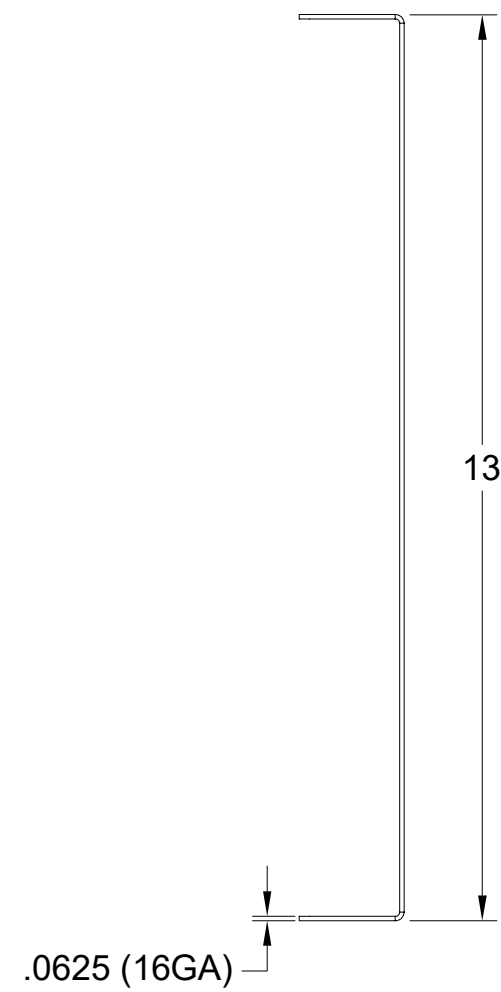
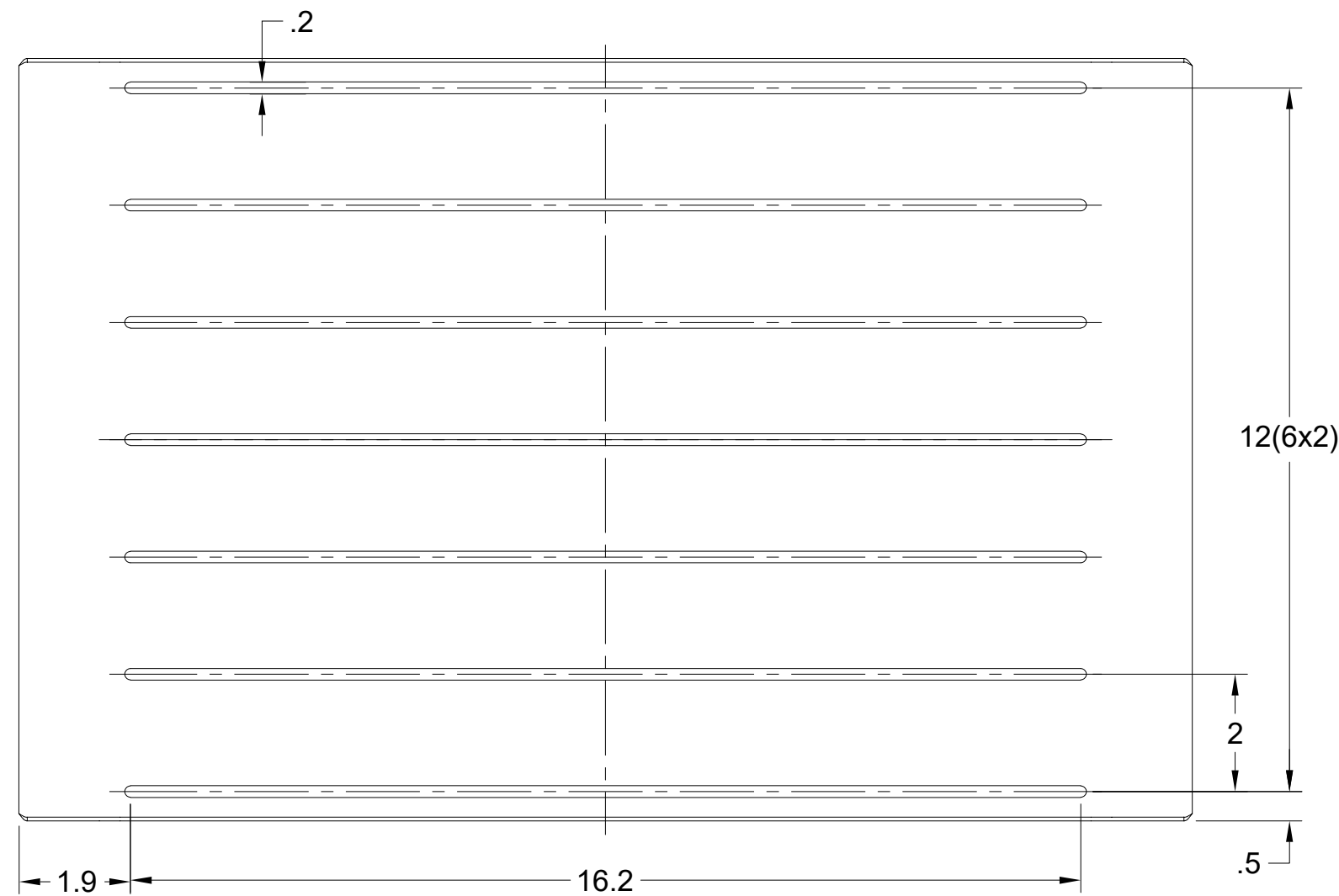


		PROJECT		
		<b>Semi Exact</b>		
		TITLE		
		<b>Perforated Shelf 9 x 10</b>		
APPROVED	SIZE	CODE	DWG NO	REV
CHECKED	B			
DRAWN	ZKO	1.5.2023	SCALE 1:2	WEIGHT
				SHEET 1/1



		PROJECT			REV
		Semi Exact			
		TITLE			A
		Linear Shelf 14 x 14			
APPROVED	SIZE	CODE	DWG NO	REV	
CHECKED	B			A	
DRAWN	ZKO	16.6.2023	SCALE 1:2	WEIGHT	SHEET 1/1





PROJECT

**Semi Exact**

TITLE

**Linear Shelf 13 x 20**

APPROVED

CHECKED

DRAWN

ZKO

1.5.2023

SIZE

B

CODE

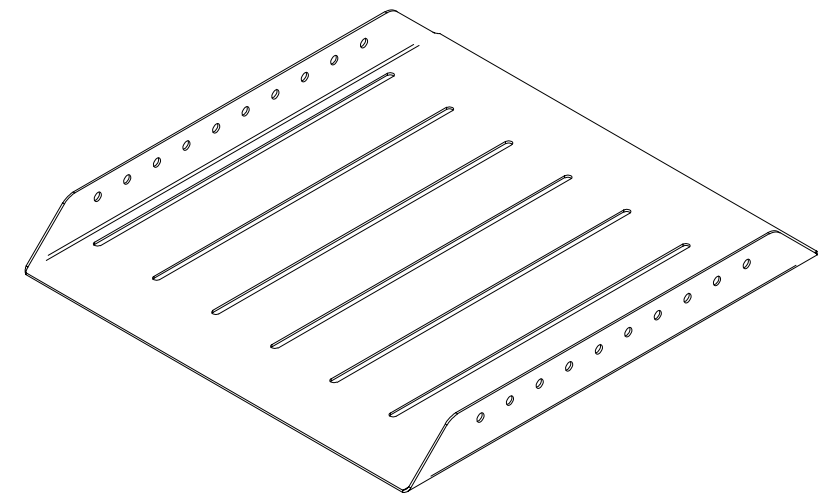
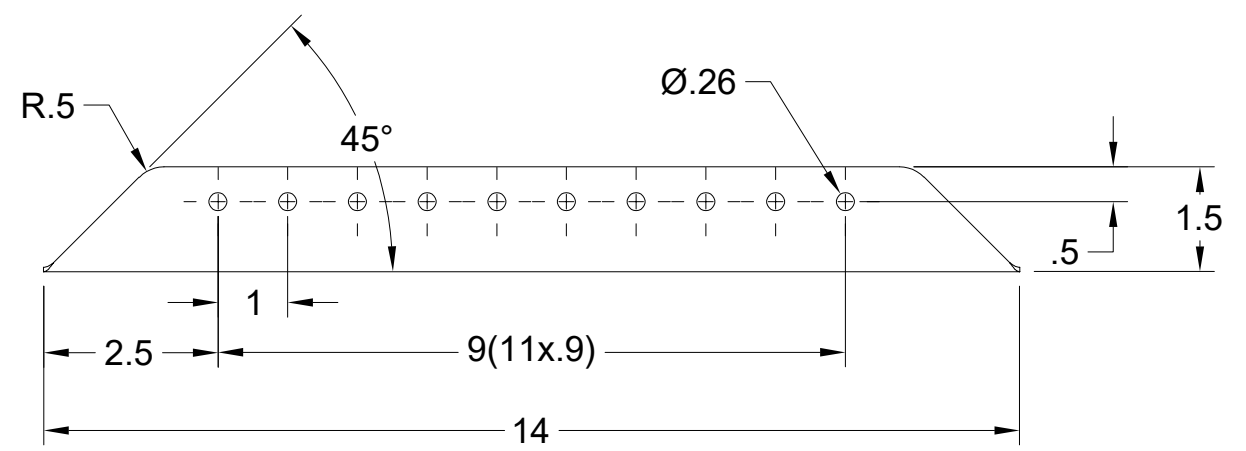
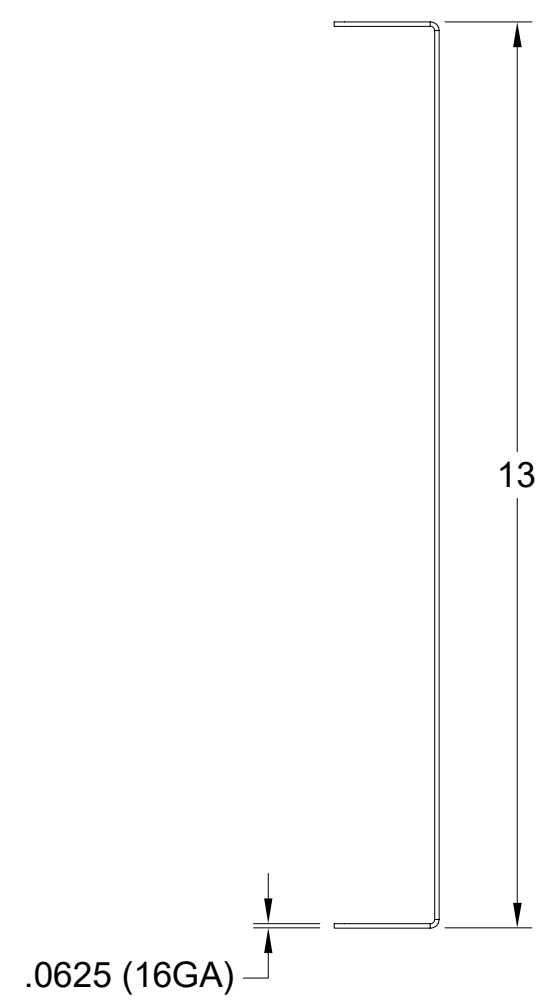
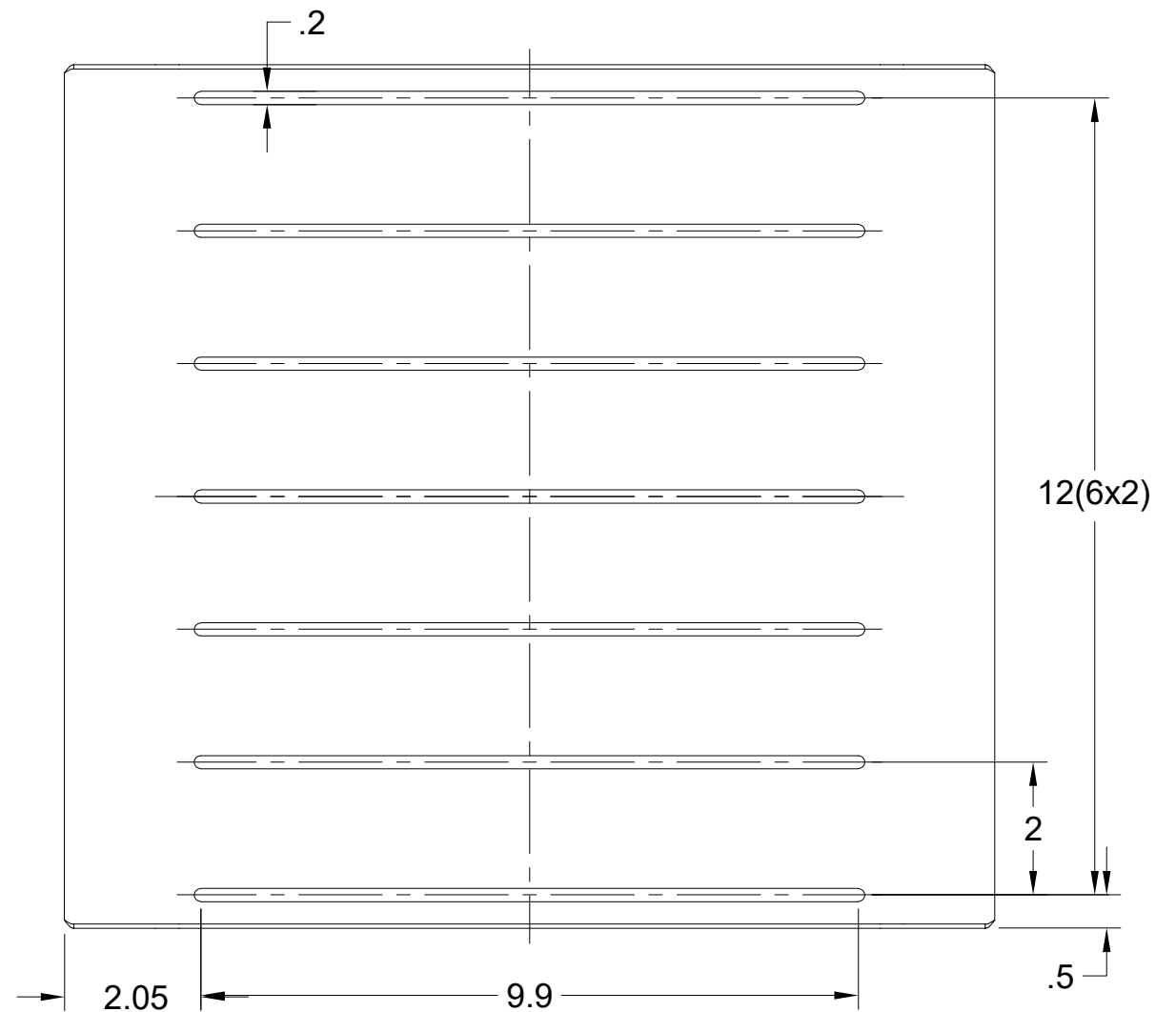
DWG NO

SCALE 1:2

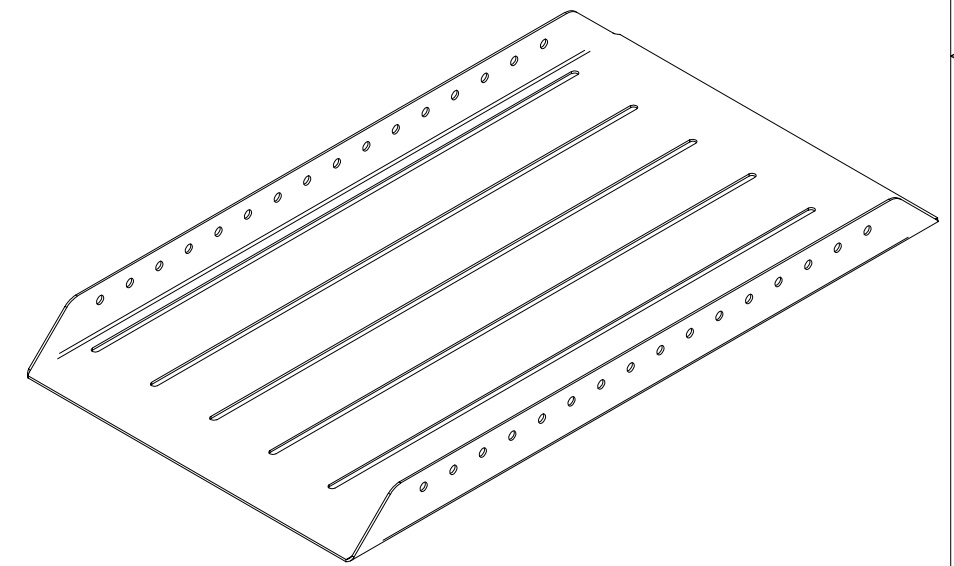
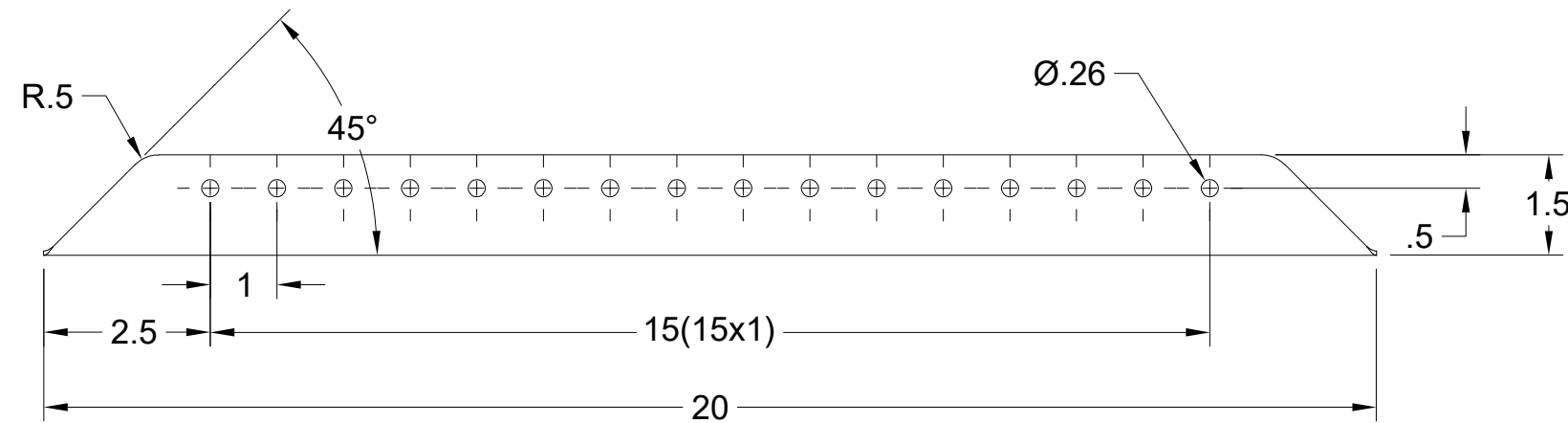
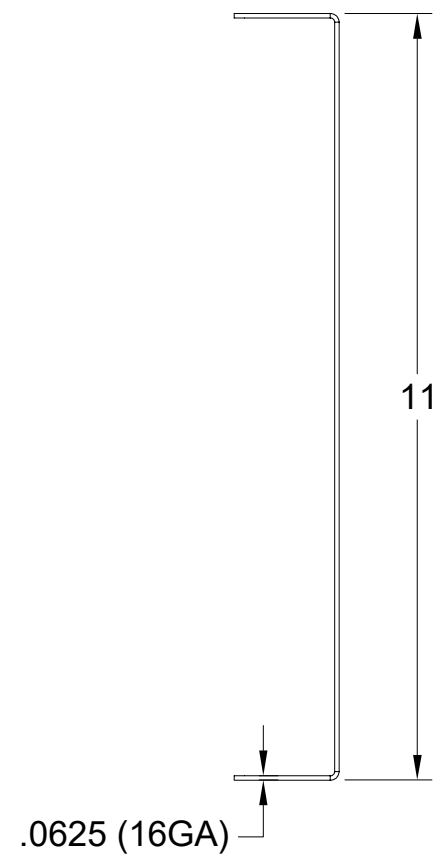
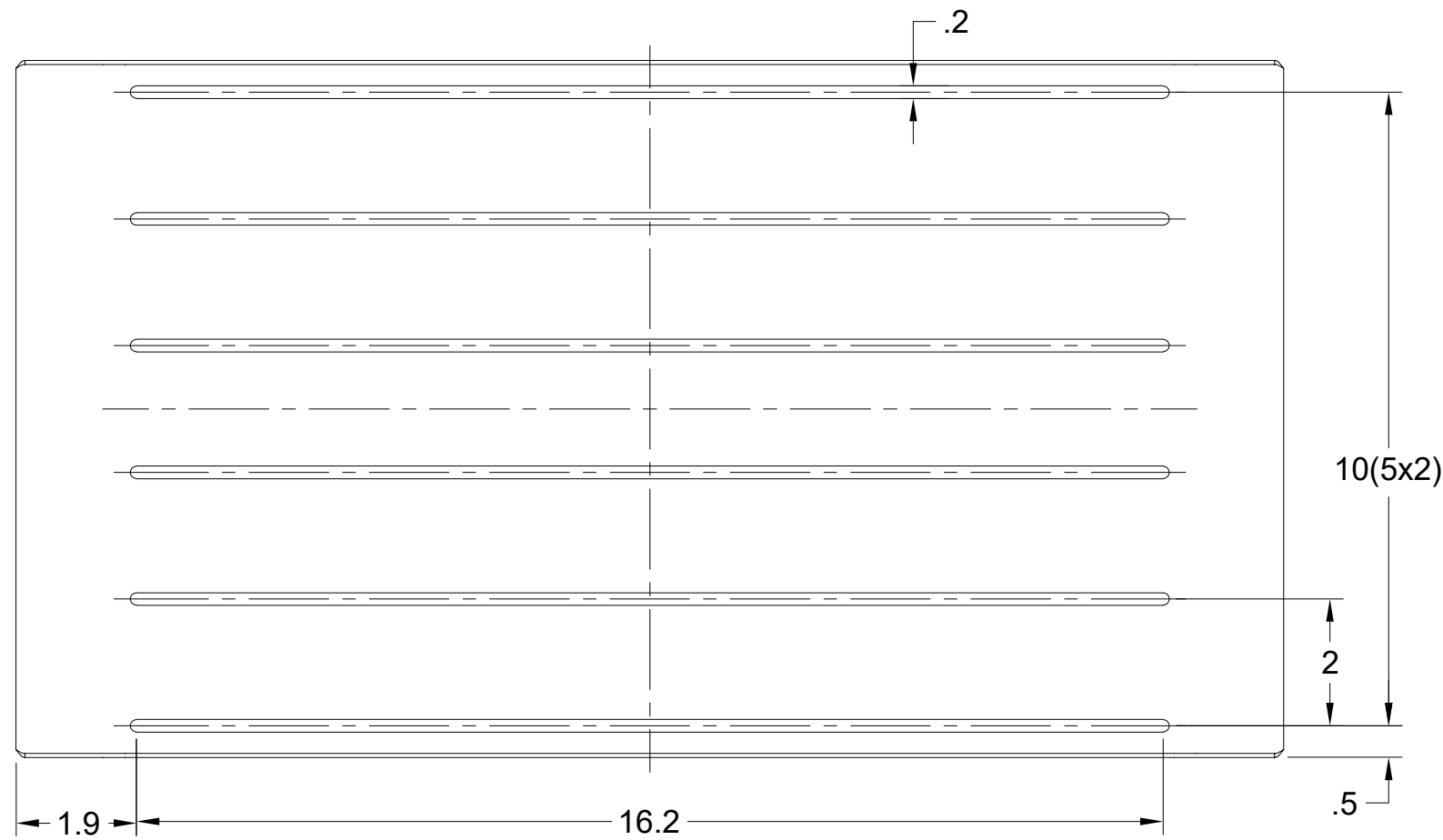
WEIGHT

REV

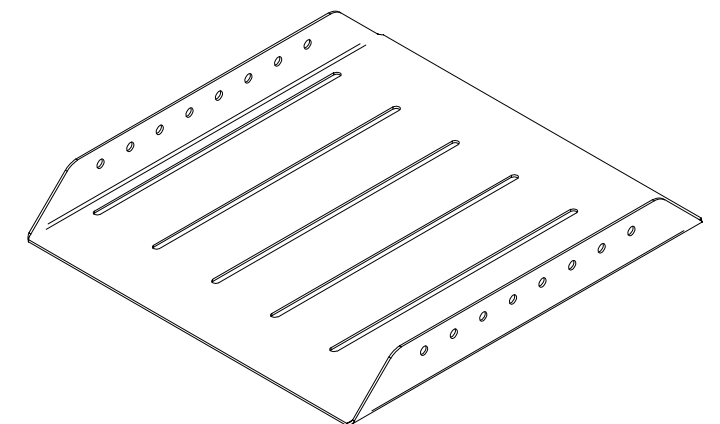
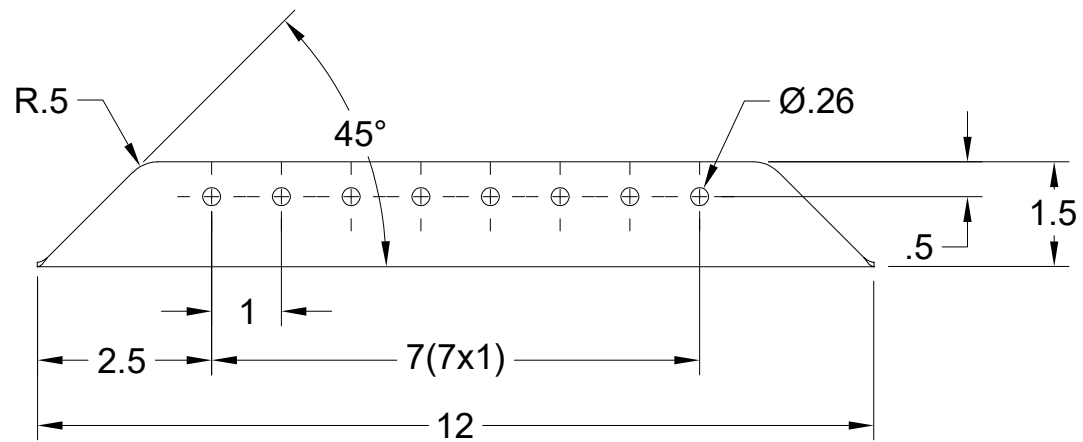
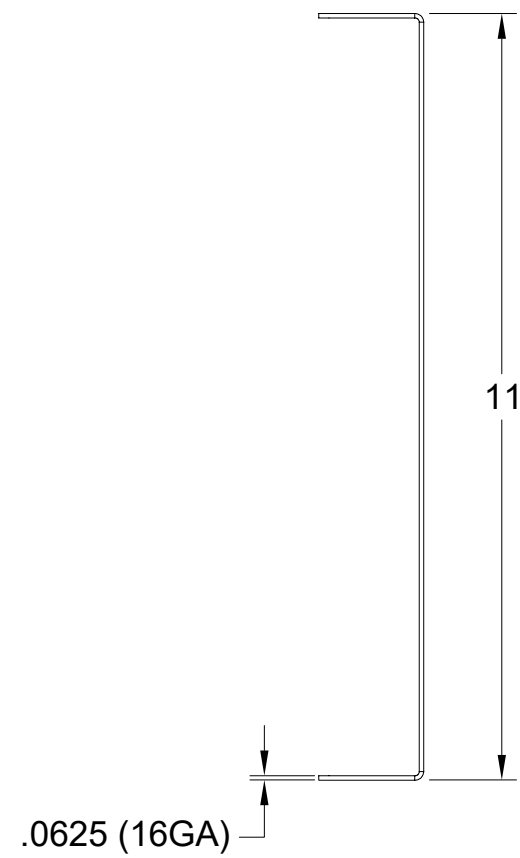
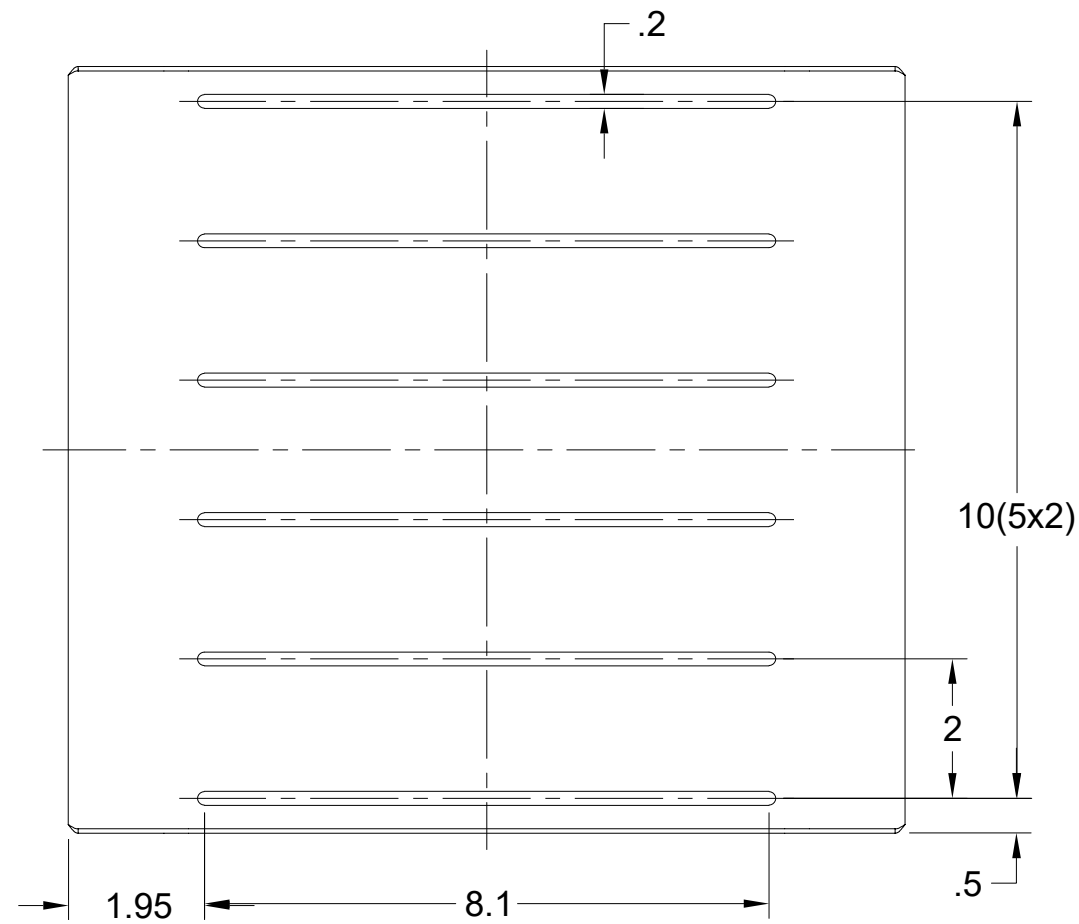
SHEET 1/1



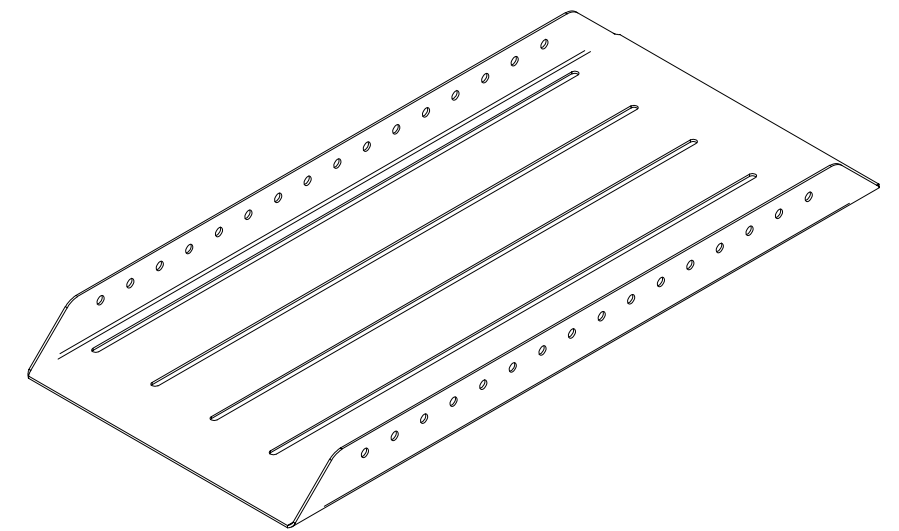
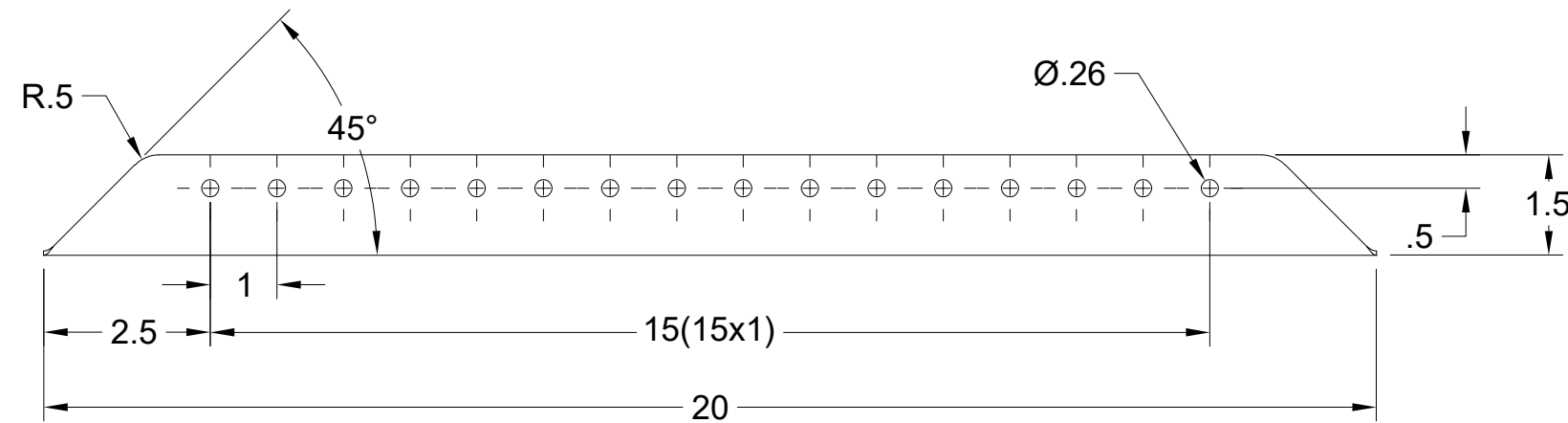
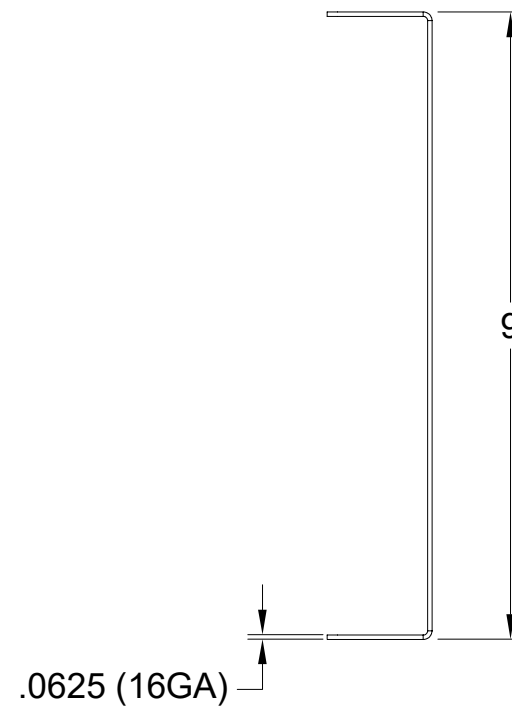
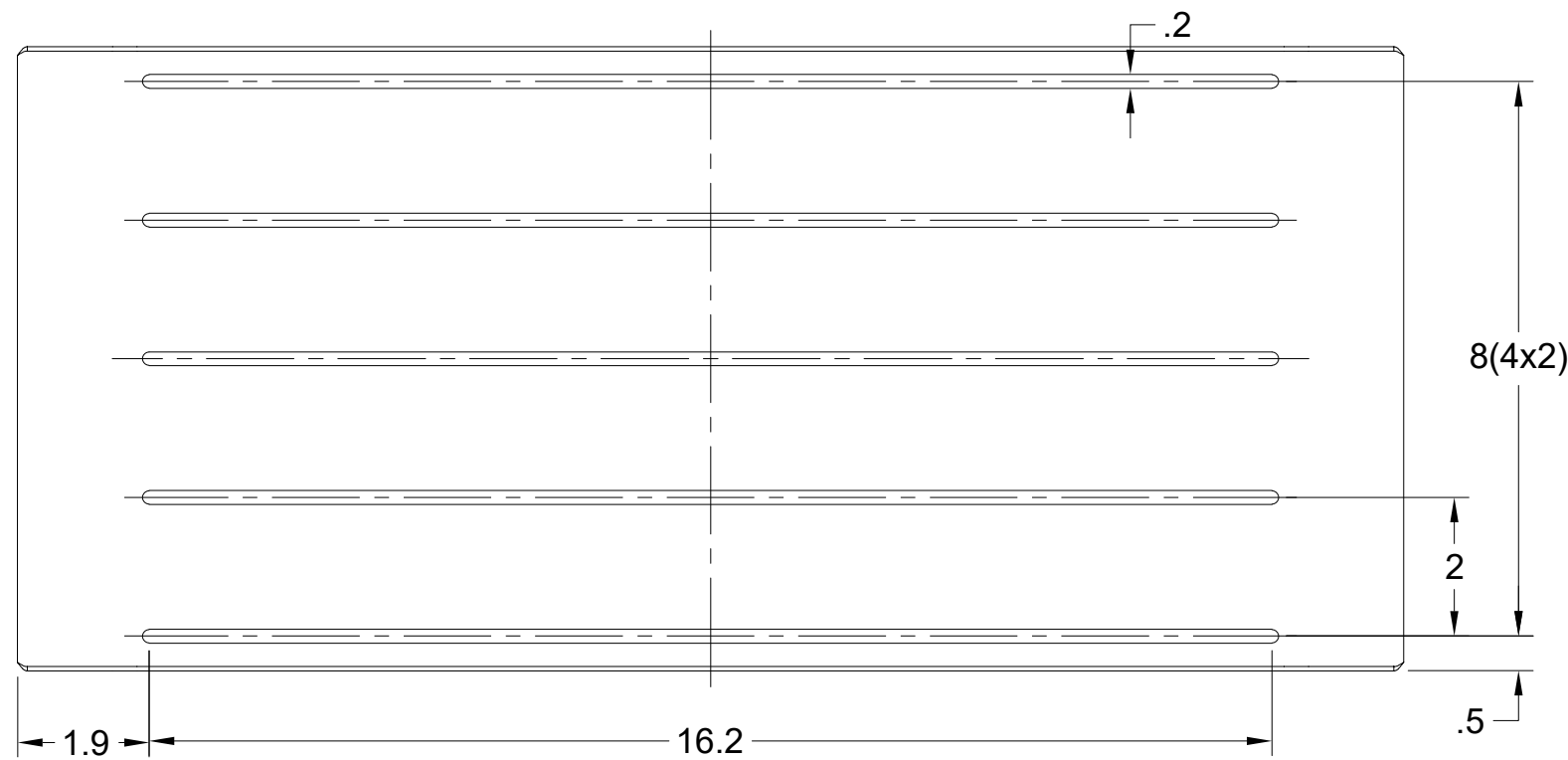
		PROJECT			
		<b>Semi Exact</b>			
		TITLE			
		<b>Linear Shelf 13 x 14</b>			
APPROVED	SIZE	CODE	DWG NO	REV	
CHECKED	B				
DRAWN	ZKO	1.5.2023	SCALE 1:2	WEIGHT	
			SHEET 1/1		



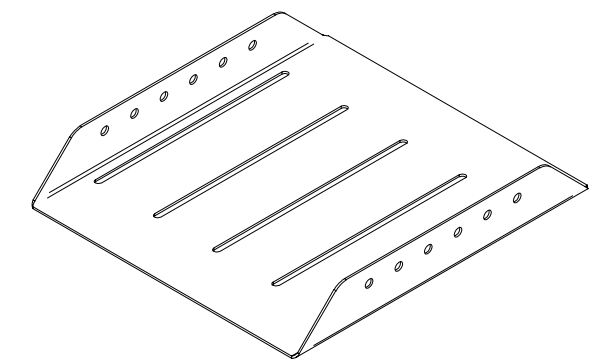
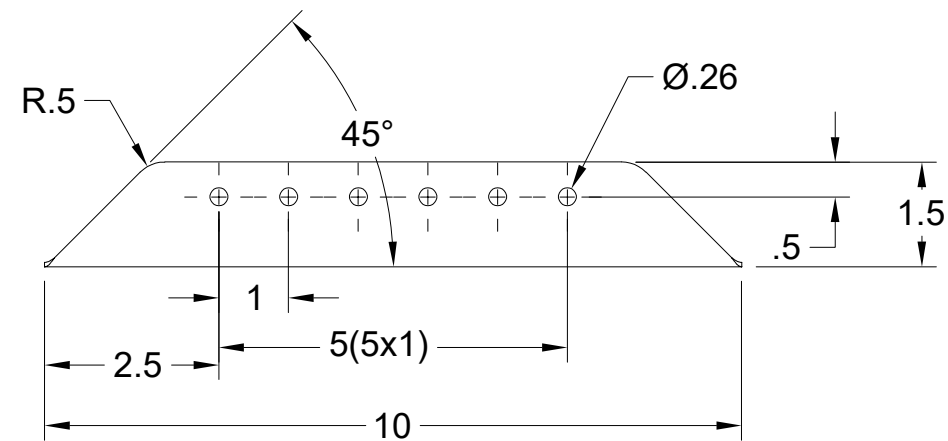
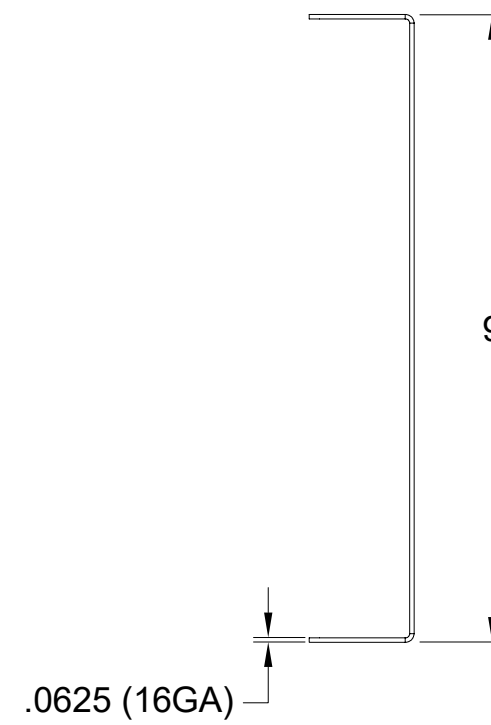
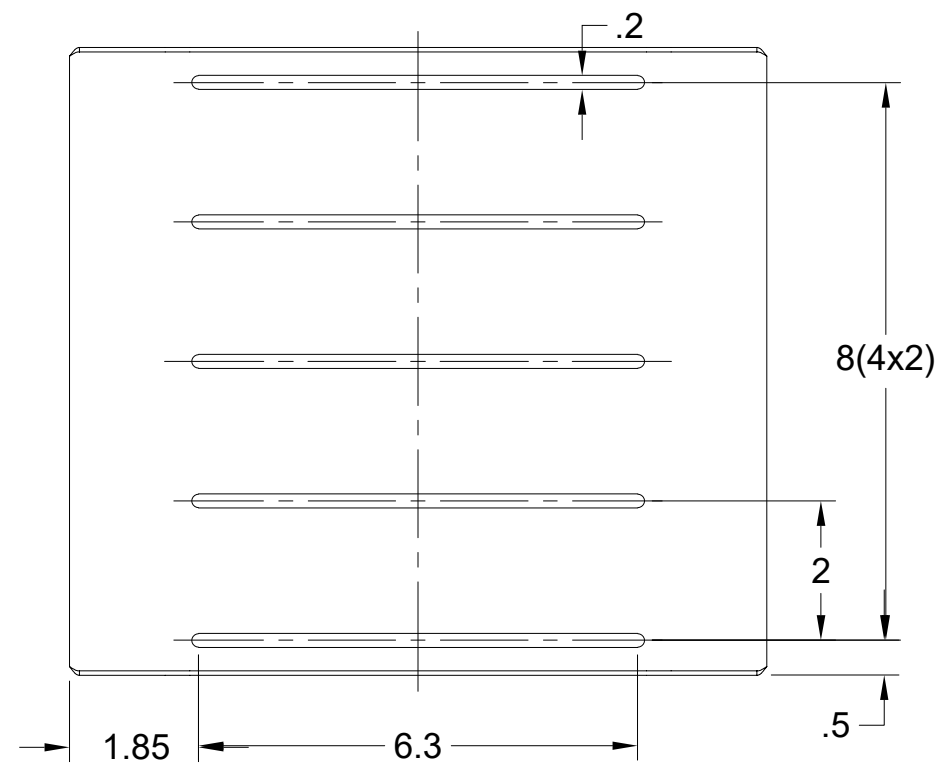
		PROJECT		
		<b>Semi Exact</b>		
		TITLE		
		<b>Linear Shelf 11 x 20</b>		
APPROVED	SIZE	CODE	DWG NO	REV
CHECKED	B			
DRAWN ZKO	1.5.2023	SCALE 1:2	WEIGHT	SHEET 1/1



		PROJECT			
		<b>Semi Exact</b>			
		TITLE			
		<b>Linear Shelf 11 x 12</b>			
APPROVED	SIZE	CODE	DWG NO	REV	
CHECKED	B				
DRAWN ZKO	1.5.2023	SCALE 1:2	WEIGHT	SHEET 1/1	



		PROJECT			
		<b>Semi Exact</b>			
		TITLE			
		<b>Linear Shelf 9 x 20</b>			
APPROVED	SIZE	CODE	DWG NO	REV	
CHECKED	B				
DRAWN ZKO	1.5.2023	SCALE 1:2	WEIGHT	SHEET 1/1	



		PROJECT <b>Semi Exact</b>		
		TITLE <b>Linear Shelf 9 x 10</b>		
APPROVED	SIZE	CODE	DWG NO	REV
CHECKED	B			
DRAWN ZKO	1.5.2023	SCALE 1:2	WEIGHT	SHEET 1/1