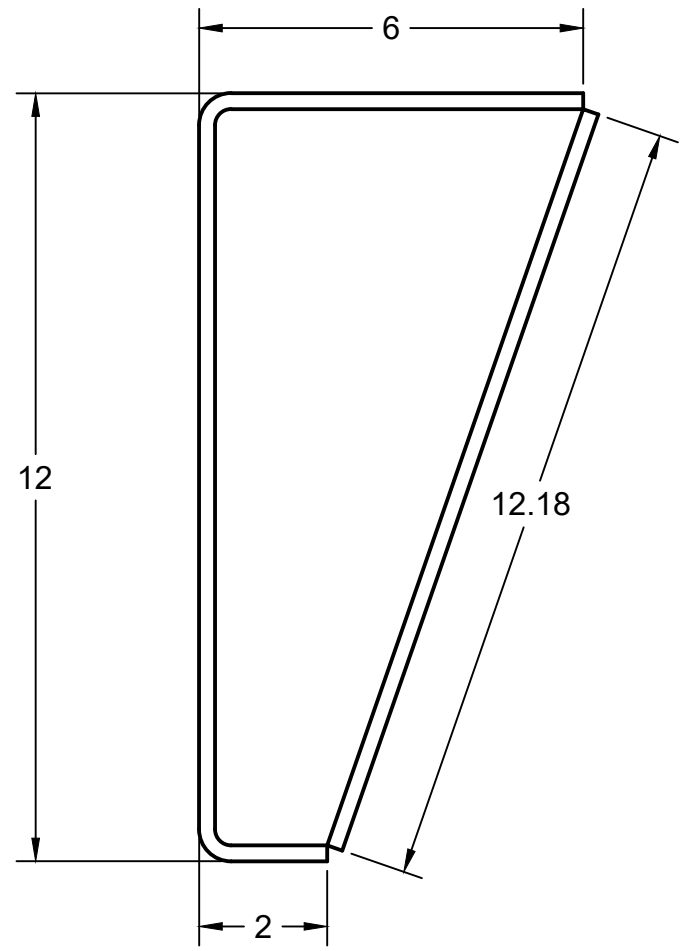
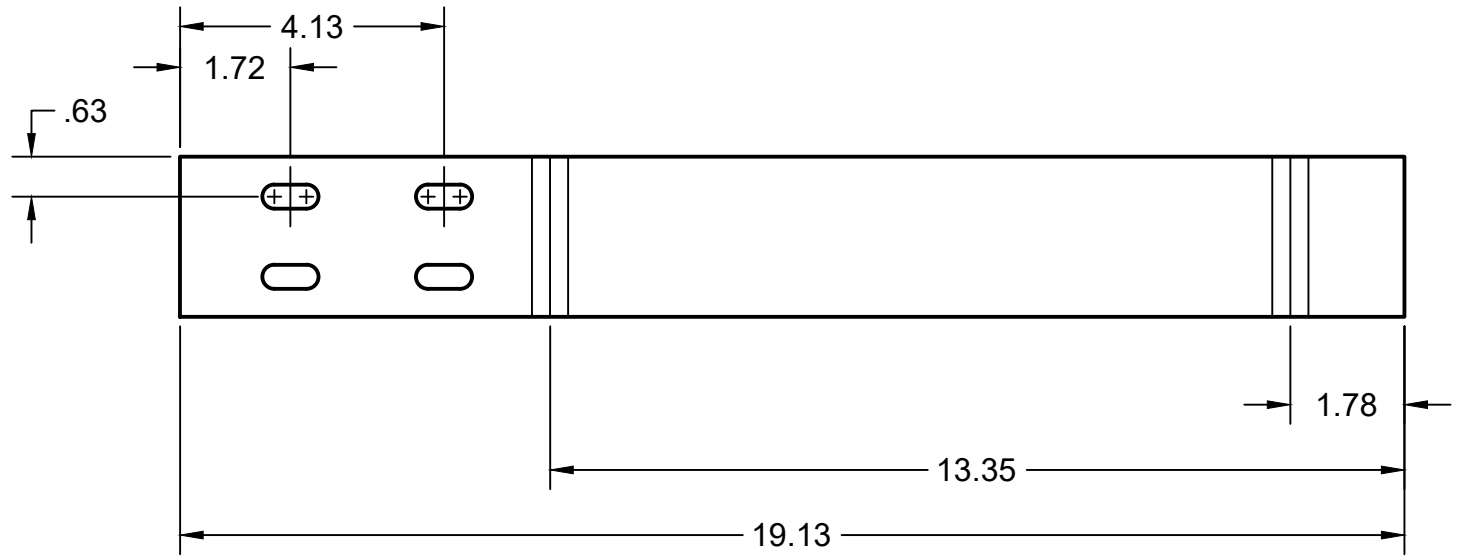


REVISION HISTORY			
REV	DESCRIPTION	DATE	APPROVED



TOLERANCES:
 Unless otherwise stated, all dimensions have a tolerance of:
 x.xxx ± 0.010"
 x.xx ± 0.030"
 ANGLES ± 1°

PROPRIETARY AND CONFIDENTIAL
 THE INFORMATION CONTAINED IN THIS DRAWING IS THE SOLE PROPERTY OF SEMI EXACT, LLC. ANY REPRODUCTION IN PART OR AS A WHOLE WITHOUT WRITTEN PERMISSION OF SEMI EXACT IS PROHIBITED.

MATERIAL:

Elton Approval:
 Matt Approval:
 ENG Approval:
 DRAWN nate volat 6/7/2022

PROJECT
SemiExact

TITLE
Vanity leg v5

PART NO.

SIZE	SHEET	REV
B	1/1	

NOTES

NO BURRS OR SHARP EDGES
 SURFACES FREE OF BLEMISHES