

MORE THAN 125 YEARS OF TRADITION AND EXPERIENCE

Victorinox products have accompanied people through life's adventures since 1884. Precise and elegantly engineered, our company is proud to represent the distinguished characteristics of our country through the manufacturing of knives. They are one of the key symbols of excellent Swiss quality and ingenuity.

Still today, the core values upon which our business and manufacturing is based, are as relevant as they were in 1897 when Karl Elsener invented the Original Swiss Army Knife: Functionality, innovation, iconic design and uncompromising quality. Victorinox creates products which are designed to be true companions for life. They are the ambassadors of our timeless Swiss values – as timeless as the classics you will discover on the following pages.

As time goes on we focus our efforts on making good products even better; on changes to achieve improvement while maintaining the appeal of our classic designs. In this catalogue you will find the latest products from our range of household and professional knives as well as our newest Swiss Army Knives.

Our products are the result of the dedicated work of 2'000 individuals who are part of the Victorinox family from around the world. On the last page of this catalogue you will find all of our employees. It is the culmination of their contributions which make Victorinox products what they are: unique.

Victorinox

Carl Elsener jr.

Carl Elsener sen.

PUSCHLAV (SWITZERLAND), 2005

THE HELPER

Discover Victorinox on:
victorinox.com





VICTORINOX

COMPANION FOR LIFE





35011



35012



35013



35014



35015



35016



35017



35018



35019



VICTORINOX

TOMO

S&H CODE	FACTORY CODE	DESCRIPTION	APN CODE
35019	9.6350	CDU Tomo Pocket Knives: Victorinox Knives x 3 Piece per Colour Leather Sheaths x 6 Pieces 40 Leaflets	N/A
35011	0.6201.A	Tomo - Victorinox Red	7611160031006
35012	0.6201.A2	Tomo - Capri Blue	7611160031013
35013	0.6201.A4	Tomo - Apple Green	7611160031020
35014	0.6201.A5	Tomo - Pink	7611160031037
35015	0.6201.A7	Tomo - White	7611160031044
35016	0.6201.A8	Tomo - Lemon	7611160031051
35017	0.6201.A47	Tomo - Mint Green	7611160031068
35018	4.0762.7	Tomo Leather Sheath - White	7611160032164



35105



35906



35913



35810



35907



35131



35870



35909



35100



VICTORINOX

CLASSICS

S&H CODE	FACTORY CODE	DESCRIPTION	APN CODE
35105	0.6223-.033	Classic SD - Red	7611160007704
35810	0.6223.3-.033	Classic SD - Black	7611160007759
35870	0.6223.7-.033	Classic SD - White	7611160007834
35906	0.6223.2-.033	Classic SD - Blue	7611160007711
35907	0.6223.4-.033	Classic SD - Green	7611160007773
35909	0.6223.8-.033	Classic SD - Yellow	7611160007841
35913	0.6223.94-.033	Classic SD - Camouflage	7611160008053
35131	0.6223.T-.033	Cyber Classic Original - Ruby	7611160013767
35100	0.6203-.033	Classic NF - Red	7611160007063



35197



35202



35198



35203



35199



35204



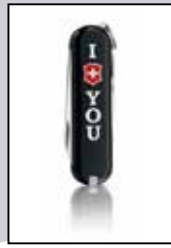
VICTORINOX

CLASSICS

S&H CODE	FACTORY CODE	DESCRIPTION	APN CODE
35197	0.6223.L1202	Classic LE 2012 Labyrinth	7611160039637
35198	0.6223.L1203	Classic LE 2012 Magnolia	7611160039644
35199	0.6223.L1204	Classic LE 2012 White Shadow	7611160039651
35202	0.6223.L1208	Classic LE 2012 Spread your wings	7611160039699
35203	0.6223.L1210	Classic LE 2012 Sneakers	7611160039729
35204	0.6223.851	Classic "The Gift" Red	7611160040176



35206



35214



35212



35216



35213



35217



VICTORINOX

CLASSICS

S&H CODE	FACTORY CODE	DESCRIPTION	APN CODE
35206	0.6223.853	Classic "The Gift" Black	7611160040183
35212	0.6223.L1301	Classic LE Matrioshka	7611160044051
35213	0.6223.L1302	Classic LE Iron Factory	7611160044088
35214	0.6223.L1303	Classic LE The World - My Home	7611160044075
35216	0.6223.L1304	Classic LE Heads Up	7611160044082
35217	0.6223.L1305	Classic LE Flip to Decide	7611160044099



35221



35218



35222



35219



35223



VICTORINOX

CLASSICS

S&H CODE	FACTORY CODE	DESCRIPTION	APN CODE
35218	0.6223.L1306	Classic LE Little Birds	7611160044105
35219	0.6223.L1307	Classic LE Blue Mist	7611160044112
35221	0.6223.L1308	Classic LE Foxy	7611160044136
35222	0.6223.L1309	Classic LE Blob	7611160044143
35223	0.6223.L1310	Classic LE Back to School	7611160044150



35224



35229

new



35226

new



35231

new



35228

new



35232

new



VICTORINOX

CLASSICS

S&H CODE	FACTORY CODE	DESCRIPTION	APN CODE
35224	0.6223.842	Classic LE Chocolate	7611160043702
35226	0.6223.L1401	Classic LE Appenzeller	7611160048370
35228	0.6223.L1402	Classic LE Swiss Clockwork	7611160048387
35229	0.6223.L1403	Classic LE Colour up your life	7611160048394
35231	0.6223.L1404	Classic LE My little big toolbox	7611160048400
35232	0.6223.L1405	Classic LE Lollipop	7611160048417



35236

new



35233

new



35237

new



35234

new



35238

new



VICTORINOX

CLASSICS

S&H CODE	FACTORY CODE	DESCRIPTION	APN CODE
35233	0.6223.L1406	Classic LE Blossoms	7611160048424
35234	0.6223.L1407	Classic LE Treasure	7611160048431
35236	0.6223.L1408	Classic LE Space Cleaner	7611160048448
35237	0.6223.L1409	Classic LE Sailor	7611160048455
35238	0.6223.L1410	Classic LE Car	7611160048462



35075



35130



05700



38000



35270



35133



05602



35111



05621



VICTORINOX

MEGA FUNCTION CLASSICS

S&H CODE	FACTORY CODE	DESCRIPTION	APN CODE
35075	0.6123	Classic - Vintage/Escort	7611160002242
35130	0.6228	Classic SD - Red Swiss Lite	7611160011428
35270	0.6226.T7	Signature Lite - Silvertech	7611160007377
35133	0.6366	Midnight Manager	7611160012364
35111	0.6385	Classic - Mini Champ	7611160009913

SHEATHS FOR MEGA FUNCTION CLASSICS

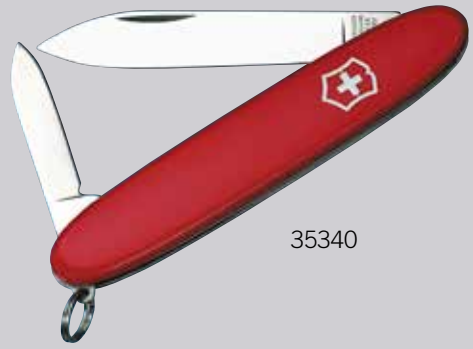
05602	4.0518.XL	Mini Champ Leather Sheath - Black	7611160405227
-------	-----------	-----------------------------------	---------------

SHEATHS FOR CLASSICS

05621	4.1863	Classic Leather Sheath with Key Ring - Black - Black	7611160401847
05700	4.0531	Classic Leather Sheath - Brown	7611160402646
38000	0.6463	Nail Clip 580	7611160044358



35320



35340



35290



35420



35310



VICTORINOX

COMPACT SWISS ARMY KNIVES

S&H CODE	FACTORY CODE	DESCRIPTION	APN CODE
35320	0.6910	Single	7611160011053
35340	0.6901	Excelsior	7611160011039
35290	0.6503	Ambassador - Gift Boxed	7611160007216
35310	0.6603	Executive - Gift Boxed	7611160007391
35420	0.8710	Solo	7611160001948



35791



35792



35793



35796



35797



35798



05605



VICTORINOX

SWISSCARDS

S&H CODE	FACTORY CODE	DESCRIPTION	APN CODE
35791	0.7100.T	Cyber SwissCard - Red	7611160013590
35792	0.7122.T2	Cyber SwissCard - Blue	7611160013583
35793	0.7133.T3	Cyber SwissCard - Black	7611160013637
35796	0.7300.T	SwissCard Lite - Red	7611160014870
35797	0.7322.T2	SwissCard Lite - Blue	7611160014887
35798	0.7333.T3	SwissCard Lite - Black	7611160014894

SHEATHS FOR SWISSCARDS			
05605	4.0873.V	SwissCard Imitation Leather Sheath - Black	7611160405265



35005



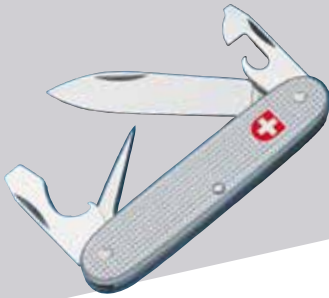
35065



35000



35010



35460



35595



35050



35060



35609



35610



VICTORINOX

GENERAL SWISS ARMY OFFICERS KNIVES

S&H CODE	FACTORY CODE	DESCRIPTION	APN CODE
35005	0.2363.T	My First Victorinox	7611160015365
35065	0.2303	Bantam	7611160009777
35000	0.3303	Waiter	7611160000064
35010	0.2503	Recruit	7611160002235
35460	0.8201.26	Pioneer/Original Swiss Soldiers Knife	7611160012838
35595	1.3405	Compact	7611160100016
35050	0.3603	Sportsman/Tourist	7611160000163
35060	1.4603	Tinker	7611160000279
35609	1.3603.L12	Spartan - 2012 Special Packaging	7611160038128
35610	1.3603	Spartan	7611160100092



35666



35620



35695



35640



35696



35650



35670



35660



35697



35700



VICTORINOX

GENERAL SWISS ARMY OFFICERS KNIVES

S&H CODE	FACTORY CODE	DESCRIPTION	APN CODE
35666	1.3603.T2	Navy	7611160104960
35620	1.3613.71	Camper	7611160100177
35695	1.4613	Worker	7611160100412
35640	1.3703	Climber	7611160100207
35696	1.4703	Super Tinker	7611160100443
35650	1.3713	Huntsman	7611160100276
35670	1.3743	Mountaineer	7611160100344
35697	1.4723	Deluxe Tinker	7611160101129
35660	1.3653.72	Angler	7611160104908
35700	1.4733.72	Fisherman	7611160100467



35750



35680



35763



35765



35685



35913



35615



VICTORINOX

GENERAL SWISS ARMY OFFICERS KNIVES

S&H CODE	FACTORY CODE	DESCRIPTION	APN CODE
35750	1.6703	Explorer	7611160100542
35680	1.3763.71	Ranger	7611160100375
35685	1.3773	Handyman	7611160100382
35763	1.6795	SwissChamp	7611160100634
35765	1.8810	Survival SOS Champ	7611160100696

CAMOUFLAGE

S&H CODE	FACTORY CODE	DESCRIPTION	APN CODE
35913	0.6223.94	Classic	7611160008053
35615	1.3603.94	Officer	7611160104250



05610



05703



05600



05611



05660



05690



05701



05603



05604



VICTORINOX

SHEATHS FOR GENERAL SWISS ARMY OFFICERS KNIVES

S&H CODE	FACTORY CODE	DESCRIPTION	APN CODE
05690	4.0520.3	2-4 Layer Leather Sheath - Black	7611160400857
05701	4.0533	2-4 Layer Leather Sheath - Brown	7611160403469
05603	4.0520.3H	2-4 Layer Leather Horizontal Sheath - Black	7611160415165
05610	4.0521.3	5-8 Layer Leather Sheath - Black	7611160400888
05703	4.0535	5-8 Layer Leather Sheath - Brown	7611160403599
05600	4.0521.1	5-8 Layer Leather Sheath - Red	7611160400871
05604	4.0521.3H	5-8 Layer Leather Horizontal Sheath - Black	7611160415172
05611	4.0521.31	5-8 Layer Leather Sheath with Rotating Metal Belt Clip - Black	7611160406422
05660	4.0521.32	5-8 Layer Leather Sheath with space for Maglite Solitaire and Stone - Black	7611160400895



35270



35617



35769



35810



35816



35820



35830



35825



VICTORINOX

SILVERTECH

S&H CODE	FACTORY CODE	DESCRIPTION	APN CODE
35270	0.6226.T7	Signature Lite	7611160007377
35617	1.3603.T7	Spartan	7611160015471
35769	1.6794.T7	SwissChamp	7611160029362

BLACK

S&H CODE	FACTORY CODE	DESCRIPTION	APN CODE
35810	0.6223.3	Classic	7611160007759
35816	1.3603.3	Spartan	7611160104441
35820	1.3703.3	Climber	7611160104373
35825	1.3713.3	Huntsman	7611160104397
35830	1.6795.3	SwissChamp	7611160100641



38001

new



38002

new



38003

new



38004

new



38005

new



38006

new



38007

new



38008

new



38009

new



38010

new



38011

new



VICTORINOX

DELEMONT SAK

S&H CODE	FACTORY CODE	DESCRIPTION	APN CODE
38001	0.9523.C	RangerGrip 52	761160044440
38002	0.9563.C	RangerGrip 55	761160044501
38003	0.9553.C	RangerGrip 68	7611160044464
38004	2.3803.C	EvoGrip 10	7611160044679
38005	2.3903.C	EvoGrip 14	7611160044747
38006	2.3913.SC	EvoGrip S17	7611160044792
38007	2.5223.SC	EvoGrip S557	7611160044976
38008	2.3803.E	Evolution 10	7611160044686
38009	2.3903.E	Evolution 14	7611160044754
38010	2.3913.E	Evolution 17	7611160044808
38011	2.3953.SE	Evolution S52	7611160044839



38012

new



38013

new



38014

new



38015

new



38016

new



38017

new



VICTORINOX

DELEMONT SAK

S&H CODE	FACTORY CODE	DESCRIPTION	APN CODE
38012	2.3801.63	EvoWood 10	7611160044662
38013	2.3901.63	EvoWood 14	7611160044730
38014	2.3911.63	EvoWood 17	7611160044785
38015	2.5221.S63	EvoWood S557	7611160044969
38016	2.4913.C8	EvoGrip 18 - Yellow	7611160044921
38017	2.4913.SC8	EvoGrip S18 - Yellow	7611160044945



35207



35208



35455



35456



35450



35451



35452



35453



VICTORINOX

AT WORK

S&H CODE	FACTORY CODE	DESCRIPTION	APN CODE
35207	4.6125.TG8B	Victorinox @work 8mb	7611160040266
35208	4.6125.TG16B	Victorinox @work 16mb	7611160044020

LOCK BLADES

S&H CODE	FACTORY CODE	DESCRIPTION	APN CODE
35455	0.8331.MC9	Hunter XS	7611160038142
35456	0.8341.MC9	Hunter XT	7611160038166
35450	0.8461.MWCH	Official Swiss Soldiers Knife	7611160017055
35451	0.8351.C	Dual Density Nomad	7611160025005
35452	0.8361.C	Dual Density Forester	7611160024985
35453	0.8361.MWC	Dual Density Forester	7611160024992



35454



35500



35510



35592



35520



35530



35540



35550



35560



35565



35575



VICTORINOX

LOCK BLADES

S&H CODE	FACTORY CODE	DESCRIPTION	APN CODE
35454	0.8371.MWC	Dual Density Dual Pro	7611160024961
35500	0.8823	Alpineer	7611160002006
35510	0.8853	Picnicker	7611160002013
35592	4.2441	Picnicker LockBlade with Fork and Spoon	7611160402219
35520	0.8863	Rucksack	7611160002020
35530	0.8873	Hunter	7611160002037
35540	0.9023	Outrider	7611160009036
35550	0.9033	Atlas	7611160009791
35560	0.9043	Hercules	7611160009883
35565	0.9064	Work Champ	7611160012388
35575	0.8993.2W	Helmsman	7611160011268



35580



35591



35535



35209



35590



05616



05612



05704



05609



VICTORINOX

LOCK BLADES

S&H CODE	FACTORY CODE	DESCRIPTION	APN CODE
35580	0.9093.2W	Skipper	7611160011251
35591	0.8413.M3	Sentinel	7611160007223
35535	0.8463.MW3	Trailmaster	7611160012104
35209	0.9410.3	Victorinox Hunter Pro with Pouch	7611160042422
35590	0.8623.MWN	Rescue Tool with Nylon Sheath	7611160003539

SHEATHS FOR LOCKBLADES			
05609	4.0851	Rescue Tool Nylon Sheath - Red	7611160002686
05616	4.0823.N	2-3 Layer Nylon Sheath - Black	7611160404510
05612	4.0523.3	2-3 Layer Leather Sheath - Black	7611160400918
05704	4.0537	2-3 Layer Leather Sheath - Brown	7611160403476



05622



05706



05623



05705



05624



05619



05620



VICTORINOX

SHEATHS FOR LOCK BLADES

S&H CODE	FACTORY CODE	DESCRIPTION	APN CODE
05622	4.0523.31	2-3 Layer Leather Sheath with Rotating Metal Belt Clip - Black	7611160412980
05706	4.0547.3	4-6 Layer Nylon Sheath - Black	7611160405319
05623	4.0524.3	4-6 Layer Leather Sheath - Black	7611160406088
05705	4.0538	4-6 Layer Leather Sheath - Brown	7611160403605
05624	4.0524.31	4-6 Layer Leather Sheath with Rotating Metal Belt Clip - Black	7611160412997

SHEATHS FOR SWISS TOOLS

S&H CODE	FACTORY CODE	DESCRIPTION	APN CODE
05619	4.0833.N	SwissTool Nylon Sheath - Black	7611160404527
05620	4.0833.L	SwissTool Leather Sheath - Black	7611160404640



35205



35200



35220



35261



35260



35265



35264



35263



35262



VICTORINOX

SWISSTOOLS

S&H CODE	FACTORY CODE	DESCRIPTION	APN CODE
35205	3.0323N	SwissTool with Nylon Sheath	7611160301147
35200	3.0323L	SwissTool with Leather Sheath	7611160301154
35220	3.0327L	SwissTool X with Leather Sheath	7611160301789
35261	3.0227.N	SwissTool Spirit with Nylon Sheath	7611160305763
35260	3.0227.L	SwissTool Spirit with Leather Sheath	7611160305756
35265	3.0224.L	SwissTool Spirit with Pointed Blade and Leather Sheath	7611160012159
35263	3.0239.N	SwissTool Spirit Plus with Ratchet and Nylon Sheath	7611160305800
35262	3.0239.L	SwissTool Spirit Plus with Ratchet and Leather Sheath	7611160305794
35264	3.0306	Ratchet with Bit Case	7611160305824



36110



36130



36140



36155



36160



36170



36180



36190



VICTORINOX

ECONOMY SERIES

S&H CODE	FACTORY CODE	DESCRIPTION	APN CODE
36110	2.2303	Combi	7611160200990
36130	2.3303	Player	7611160201010
36140	2.2503	Squatter	7611160201003
36155	2.3803	Elinox	7611160201027
36160	3.3603	Tracker	7611160300621
36170	3.3613	Picnicker	7611160300638
36180	3.3703	Buddy	7611160300645
36190	3.3713	Universal	7611160300652



36230



36250



36260



36280



36290



35970



VICTORINOX

HORTICULTURAL KNIVES - ECOLINE

S&H CODE	FACTORY CODE	DESCRIPTION	APN CODE
36230	3.9020	Budding - Red	7611160300096
36250	3.9040	Budding - Red	7611160300119
36260	3.9045	Budding - Red	7611160300126
36280	3.9060	Pruning - Red	7611160300140
36290	3.9110	Grafting - Red	7611160300157
35970	1.9140	Budding - Black	7611160100894



05625



05628



05630



05640



05642



36501



36502



36500



VICTORINOX

ACCESSORIES

S&H CODE	FACTORY CODE	DESCRIPTION	APN CODE
05625	4.1853	Leather Knife Hanger with Snap Hook - Black	7611160401823
05628	4.1813	Fob Chain	7611160401663
05630	4.1858	Belt Hanger with Multi Clip	7611160402974
05640	4.1879	Neck Strap with Snap Hook	7611160415639
05642	4.3323	Pocket Sharpener	7611160705129

DISPLAY MATERIAL

S&H CODE	FACTORY CODE	DESCRIPTION	APN CODE
36500	9.6001.2	Electric Swiss Army Knife - 240v	N/A
36501	9.5100.01	Small Cube for 1 Pocket Tool 45x45x60mm	N/A
36502	9.5100.02	Medium Cube for 1 Pocket Tool 45x45x90mm	N/A



36503



36504



36506



36507



36508



36519



36509



36518



VICTORINOX

DISPLAY MATERIAL

S&H CODE	FACTORY CODE	DESCRIPTION	APN CODE
36503	9.5100.03	Large Cube for 1 Pocket Tool 45x45x200mm	N/A
36504	9.5100.04	Fob Chain	N/A
36506	9.5100.15	Pocket Tool Counter V Extension 235x85x100mm with 10x7mm Magnets and 10x4mm Magnets	N/A
36507	9.5130	Counter Pocket Tool Small Kit 770x120x300mm	N/A
36508	9.5131	Counter Pocket Tool Medium Kit 1,280x120x350mm	N/A
36509	9.5135.2	Counter Pocket Tools 220v 1,200x1,000x500mm	N/A
36518	9.5148	Showcase Frame for Pocket Tools	N/A
36519	9.6160	Counter Display with Leaflet Holders	N/A



HEAD OFFICE - SYDNEY

24 Salisbury Road ASQUITH NSW 2077 Australia
PO Box 837 HORNSBY NSW 1630 Australia
Telephone 61 2 9482 6666 Toll Free 1800 808 971
Facsimile 61 2 9477 3470 Toll Free 1800 644 842
(Toll free access available outside Sydney only)

NORTHERN NSW - COFFS HARBOUR

PO Box 222 SAWTELL NSW 2452
Phone 61 2 6658 1600 Fax 61 2 6658 1511

VICTORIA / TASMANIA - MELBOURNE

352A Ferntree Gully Road, NOTTING HILL VIC 3168
Phone 61 3 9585 9000 Fax 61 3 9585 9050

SA/NT - ADELAIDE

PO Box 108 STEPNEY SA 5069
Phone 61 8 8352 4535 Fax 61 8 8354 4367

QUEENSLAND - BRISBANE

Unit 2/78 Logan Road WOOLLOONGABBA QLD 4102
Phone 61 7 3393 1488 Fax 61 7 3891 1202

WESTERN AUSTRALIA - PERTH

38 Mumford Place, BALCATTWA WA 6021
PO Box 1248 OSBORNE PARK WA 6916
Phone 61 8 6241 2999 Fax 61 8 6241 2900