



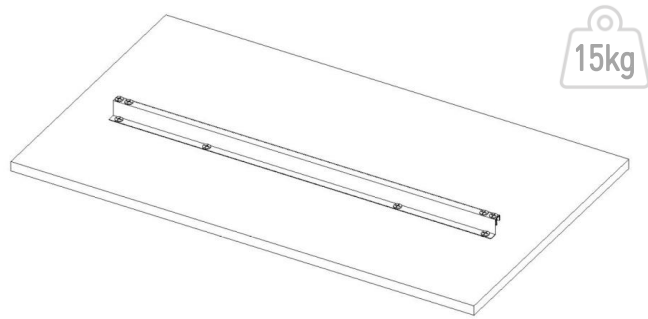
Krossi

Fixed Height Desk

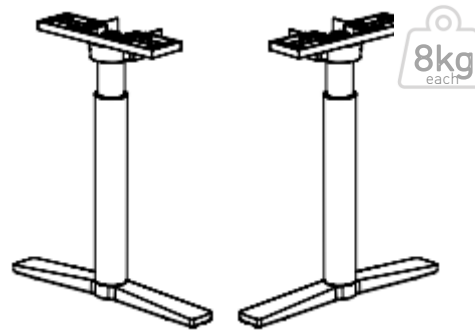
Installation Guide

schiaavello

Parts Included



Worktop with beam pre-installed



Legs x 2

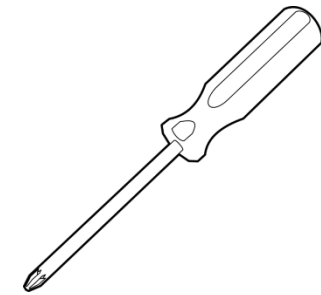


M4 Screw (for the legs) x 8



M6 Screw (for the beams) x 4

You will need:



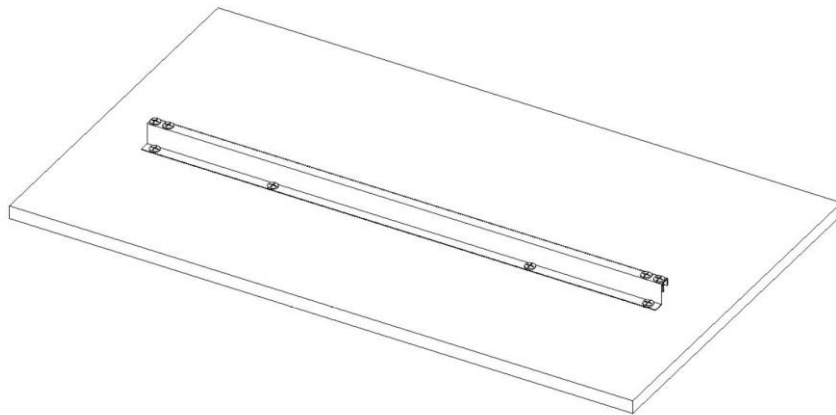
Phillips Head Screw Driver
(Star Tip)



Step 1

Place worktop upside down so that you see the beam.

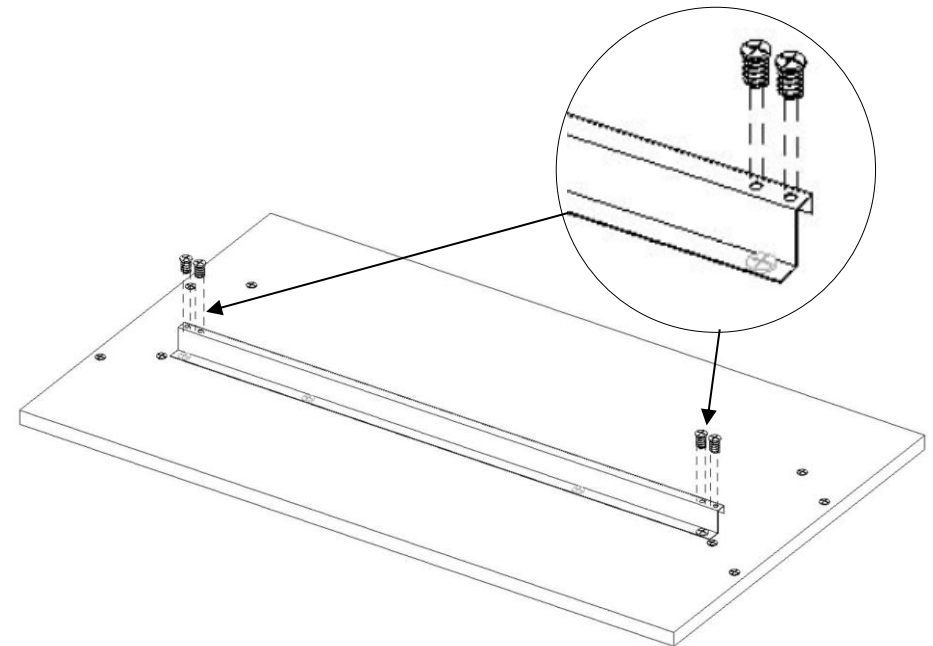
Note: ensure your worktop is on a clean flat surface.



Step 2

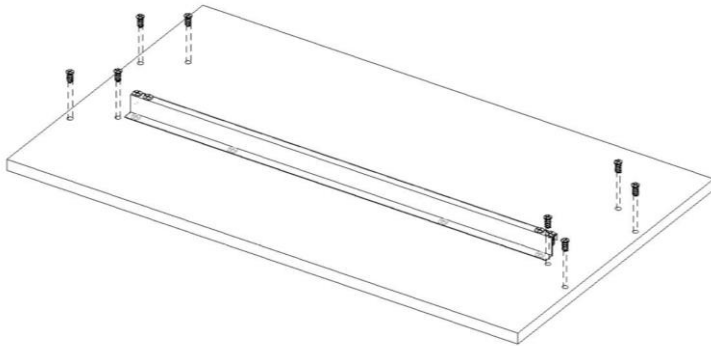
Remove the 4 x M6 Screws in the beam and set aside.

Note: Leave the screws that fix the worktop to the beam.



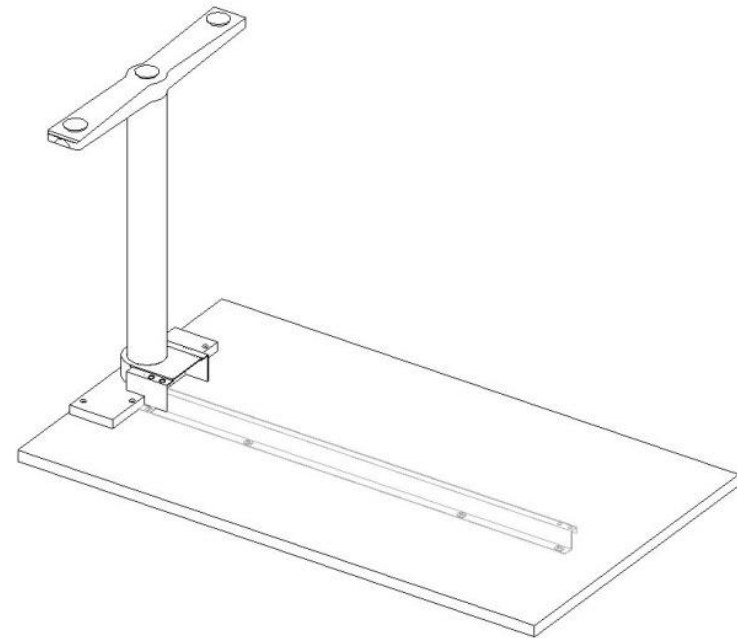
Step 3

Remove the screws in the worktop and set aside separately.



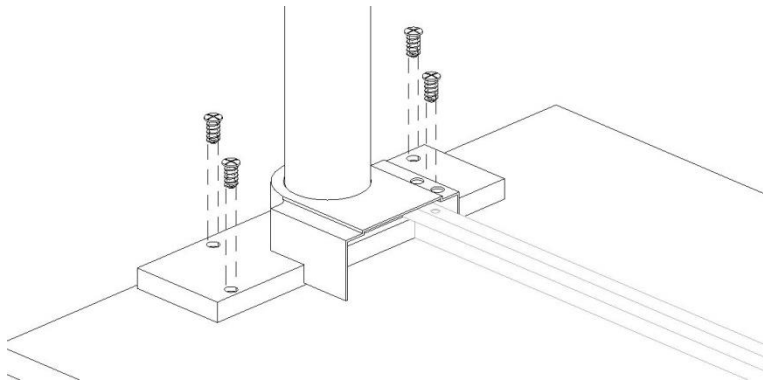
Step 4

Position leg as per below.



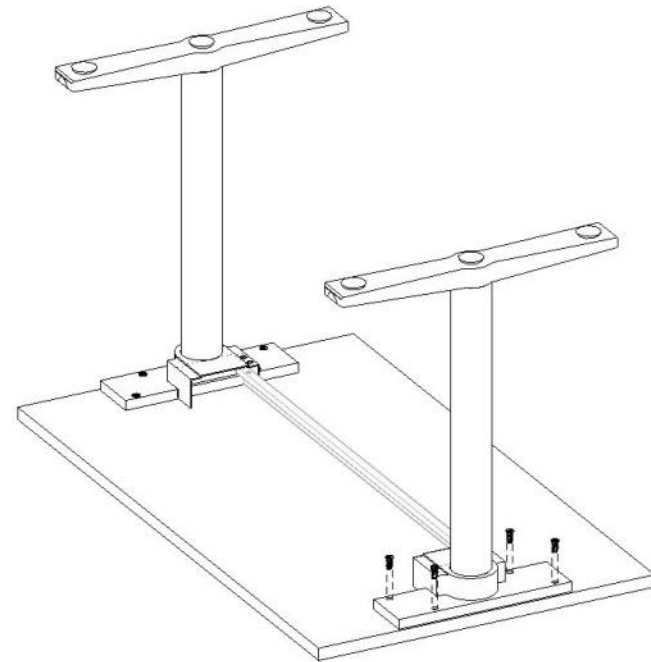
Step 5

Loosely screw in 4 x M4 screws to allow leg adjustment and hole alignment.



Step 6

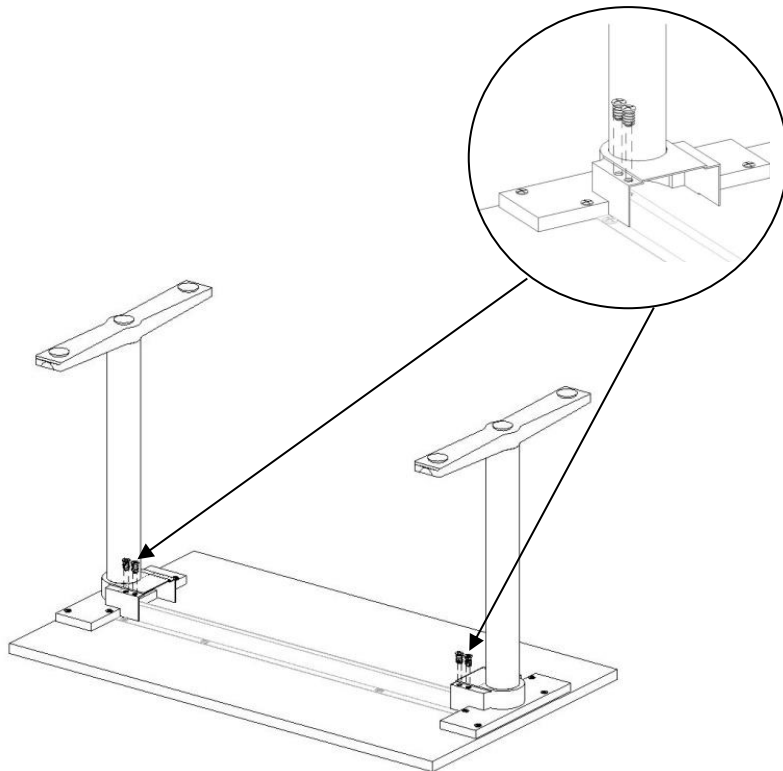
Repeat steps 4 and 5 with other leg



Step 7

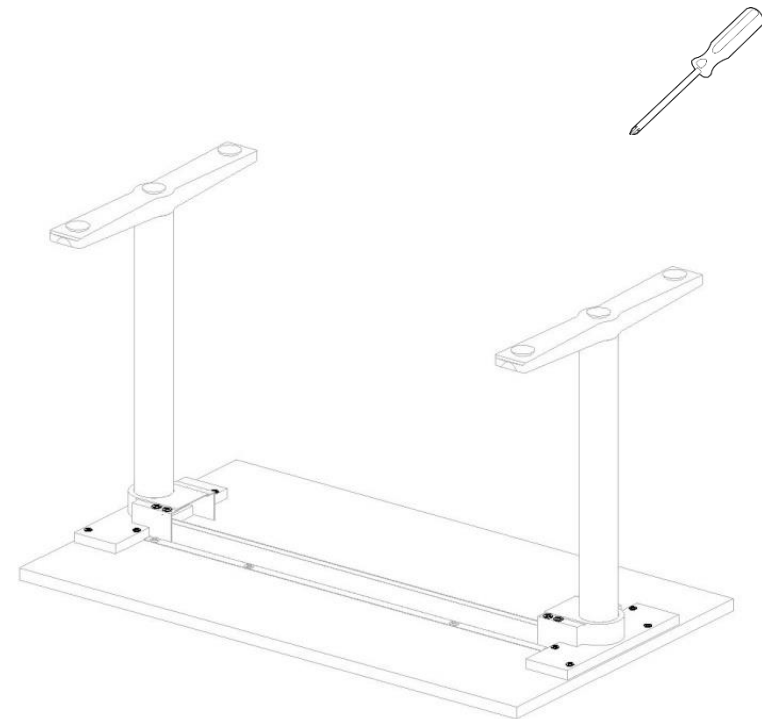
Tightly fix the legs to the beam by fastening the M6 screws into position

Force beam to create alignment of holes
(if required)



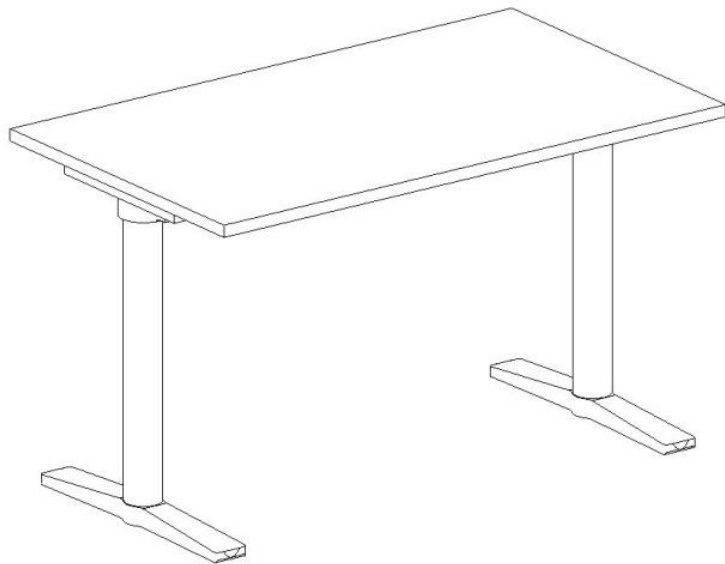
Step 8

Tighten all M4 screws to ensure securely fastened



Step 9

Flip the desk over



For further assistance, please contact your Schiavello representative or head office on 03 9330 8888

schiaavello