



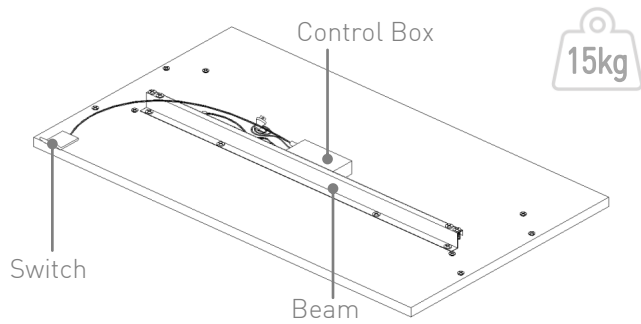
Krossi

Electric Adjust Desk

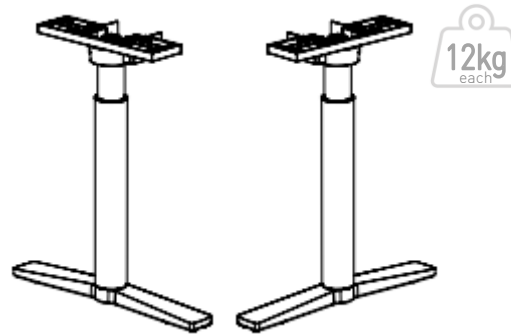
Installation Guide

schiaavello

Parts Included



Worktop with beam, control box and switch pre-installed



Legs x 2

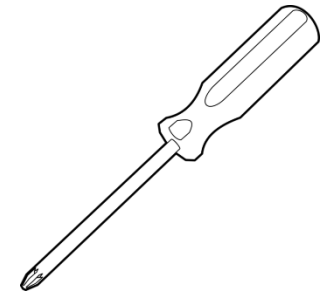


M4 Screw (for the legs) x 8



M6 Screw (for the beams) x 4

You will need:



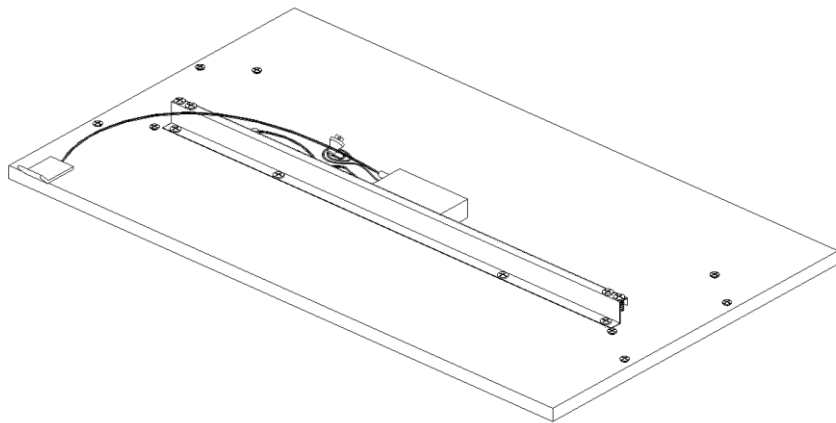
Phillips Head Screw Driver
(Star Tip)



Step 1

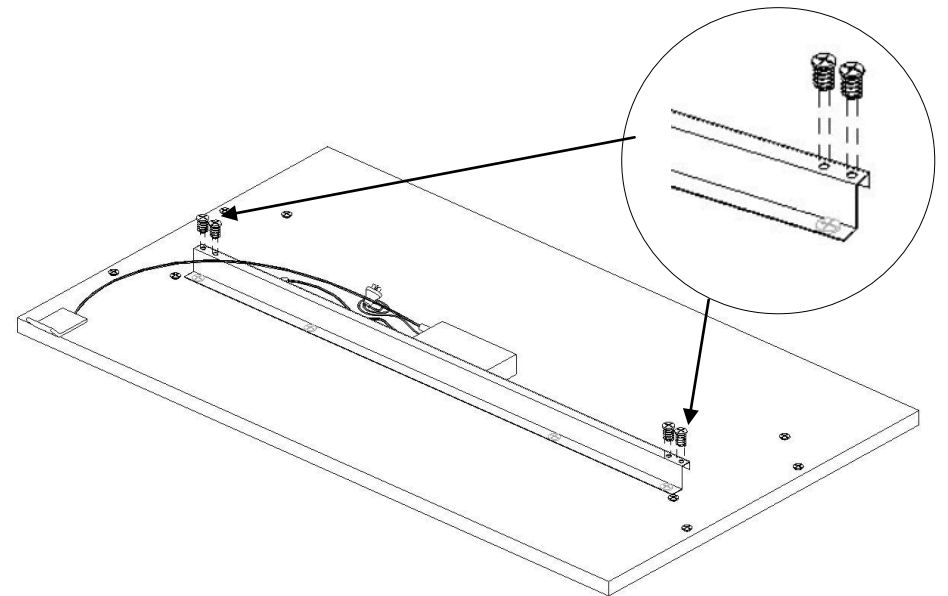
Place worktop upside down so that you see the beam, control box and switch

Note: Ensure your worktop is on a clean flat surface.



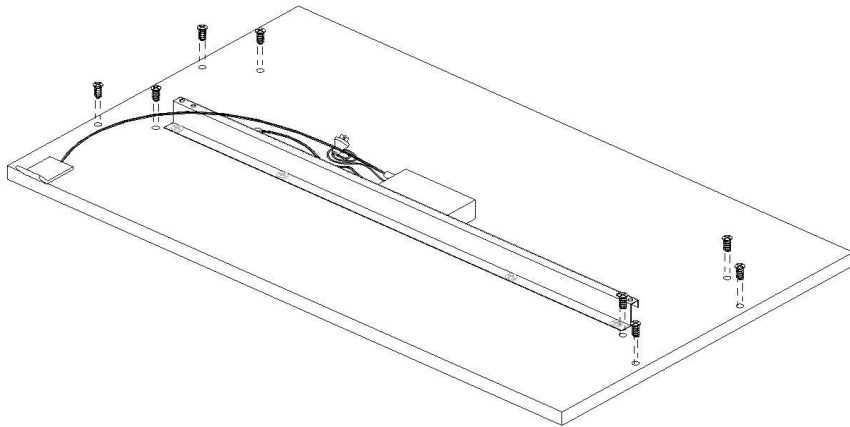
Step 2

Remove the 4 x M6 Screws from the beam and set aside.



Step 3

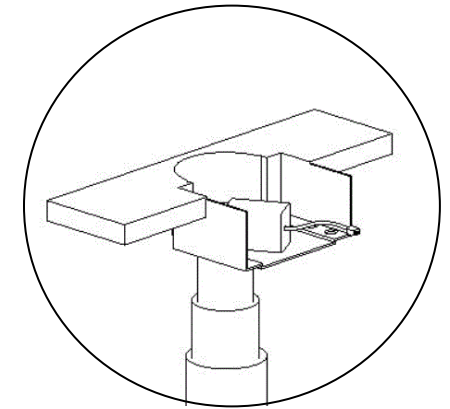
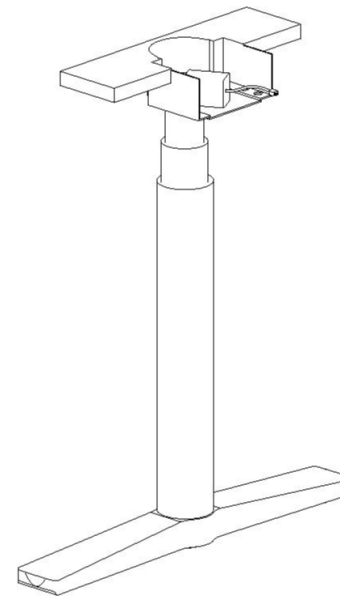
Remove the 8x M4 Screws in the worktop and set aside separately.



Step 4

Place legs standing up.

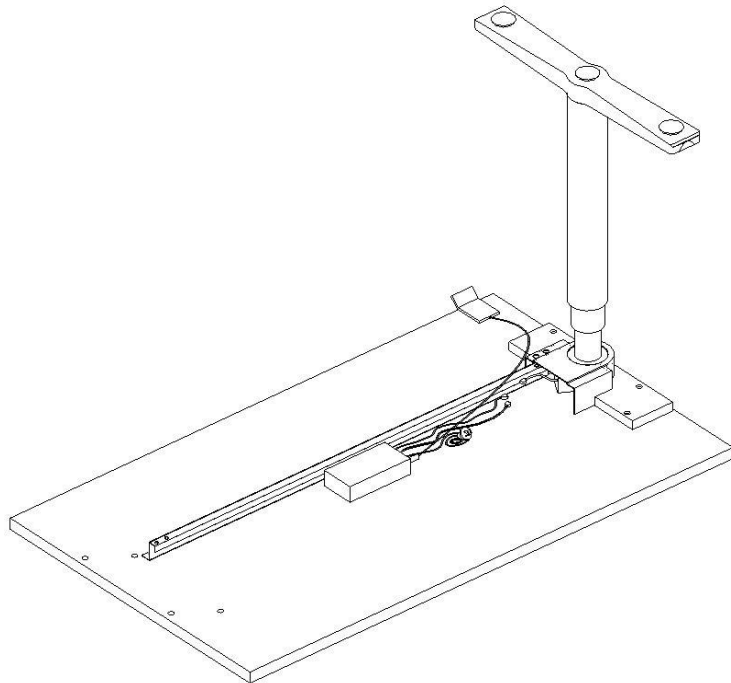
Move cord until the plug is visible. This will need to be plugged in later.



Step 5

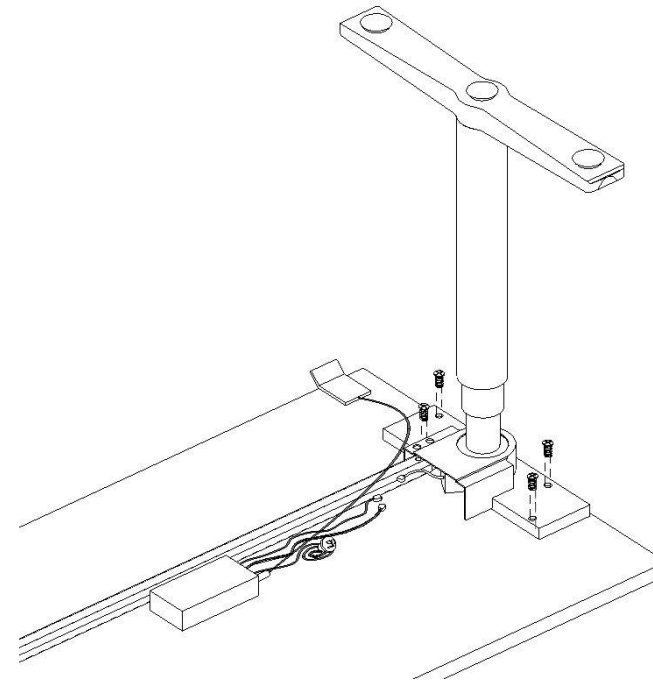
Position leg as per below to commence fixing to the worktop.

Note: Ensure the cord is not caught between the beam and the leg



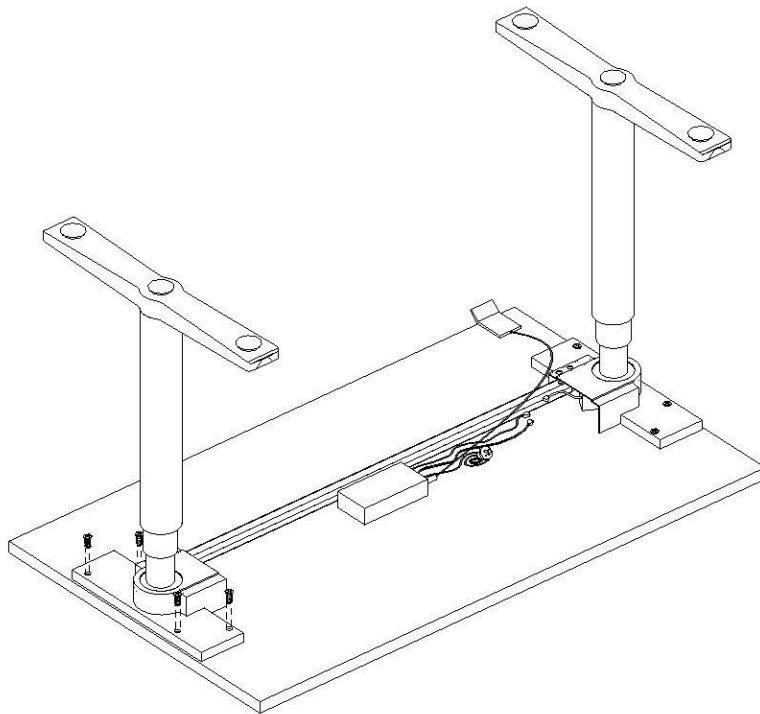
Step 6

Loosely screw in 4 x M4 screws to allow leg adjustment and hole alignment.



Step 7

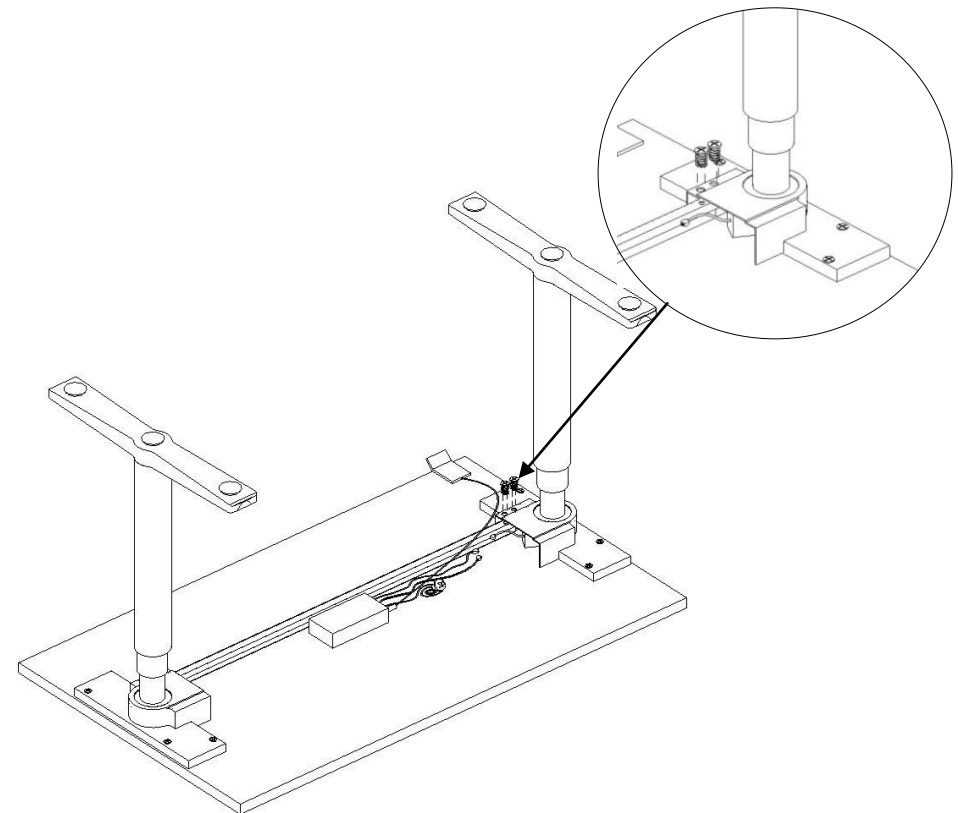
Repeat steps 4 to 6 with other leg



Step 8

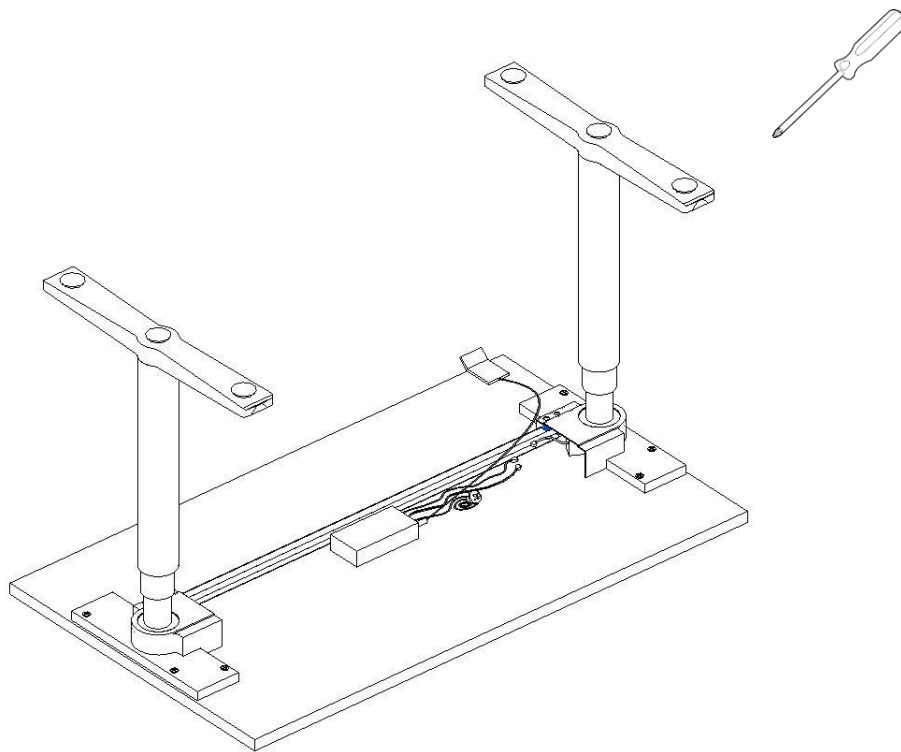
Tightly fix the legs to the beam by fastening the M6 screws into position

Force beam to create alignment of holes (if required)



Step 9

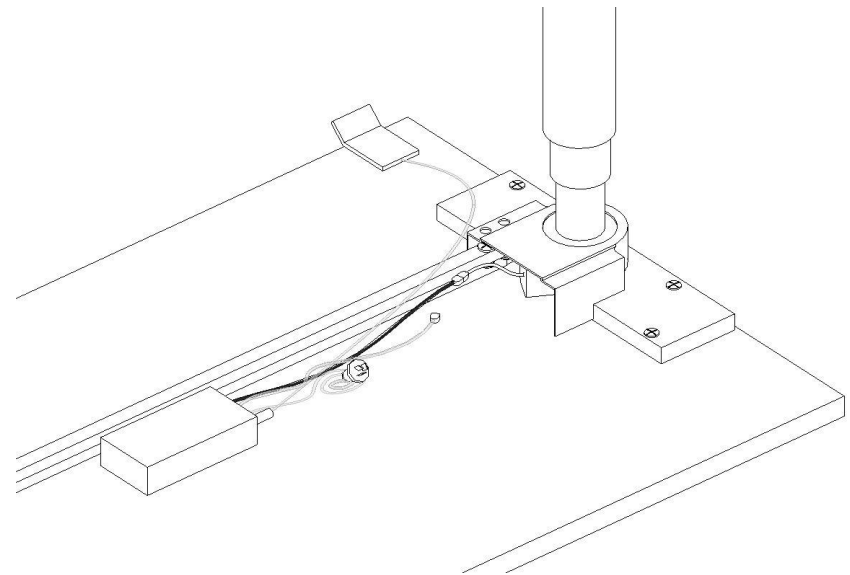
Tighten all M4 screws to ensure securely fastened



Step 10

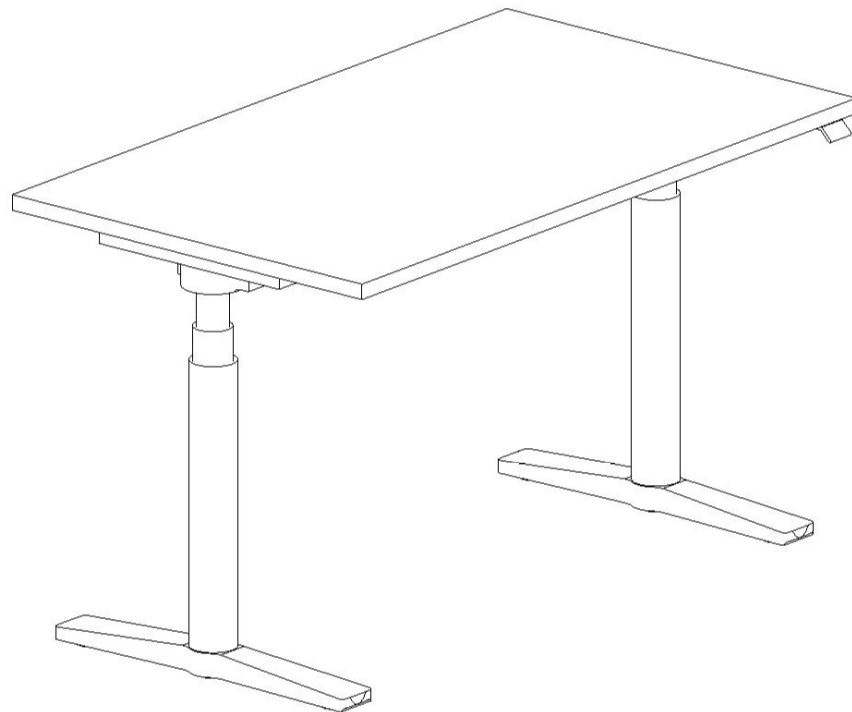
Plug the leg cords into the control box
Repeat for both legs

Note: Ensure the arrow head clips in.



Step 11

Flip the desk over, and plug into power point.



Note: When flipping the desk over, please take care with the switch that protrudes past the worktop as this can damage.

Initial Setup & Troubleshooting

Manual Reset

1. Press the **DOWN** button until the desktop has reached its lowest position
2. Press the **DOWN** button again and hold for 5 seconds until desktop moves down further. You will hear a click.
3. Release the **DOWN** button
4. The electric adjustable desk can now be used normally.

For further assistance, please contact your Schiavello representative or head office on 03 9330 8888

Height Adjustment

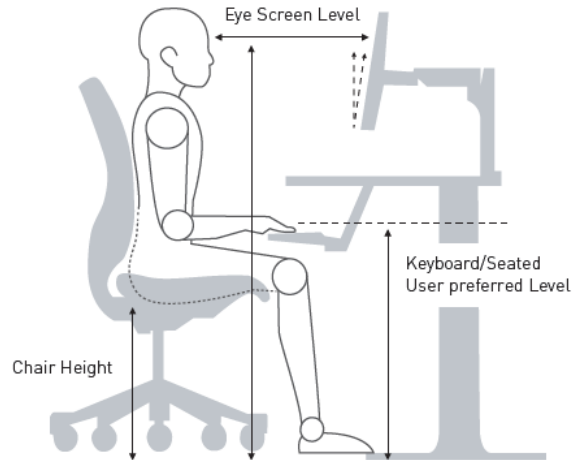
Upward and downward movement



Press and hold the up or down key until the desired height is reached.

schiaavello

Ergonomic Considerations



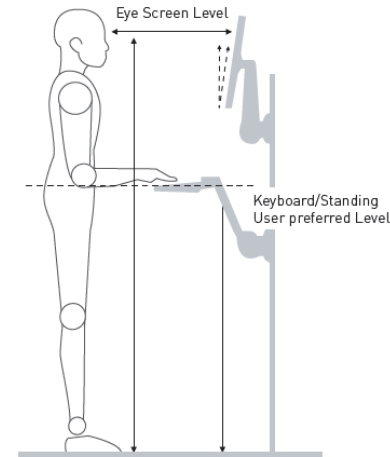
DESK SETUP - SITTING

Setup

- Minimum height must be greater than any under-desk furniture/obstruction
- Program User height to Seated User preferred level

Ergonomics

- Chair at comfortable height
- Straight back
- Forearms at or slightly above desk height,
- shoulders relaxed
- Wrists straight in line, keyboard flat
- Thighs parallel to ground, knees at 90°



DESK SETUP - STANDING

Setup

- Maximum height must be lower than any above-desk furniture/obstruction
- Program User height to Standing User preferred level

Ergonomics

- Straight back
- Forearms at or slightly above desk height,
- shoulders relaxed
- Wrists straight in line, keyboard flat
- Straight back