

Quick Release Installation Instructions

To ensure maximum life and performance from your Phil Wood Quick Release Set, proper maintenance and installation of your bicycle and its components is required. If you are not comfortable with performing any of the following instructions, contact our sales or service department and we will do our best to find a bicycle shop in your area that will be able to assist you. (See Service Information at the end of these instructions)

PLEASE NOTE: Failure to correctly install and maintain this component can result in serious and/or fatal injury.

On the backside of this page you will find diagrams showing the assembly order and part names we will be using in these instructions.

Please visit www.philwood.com/support for up to date product care instructions, warranty, service and return policy information. Thank you for your support.

TOOLS NEEDED:

Phil Tenacious Oil (included) or Bio-Lube (Phil Wood Part# LTO000/LBL000)

Step 1: Frame and Fork Inspection Prior to Installation

1. Ensure that your bicycle frame and fork has been properly assembled. Make sure that your front fork/shock and rear frame is properly spaced (see chart below) and the dropouts are aligned. The spacing or alignment being off can prevent a proper and safe installation of your wheel(s). If you are not sure how to check either one of these items please STOP and take your bicycle to a bicycle shop for inspection and installation.

Recommended Clamping Range: Minimum and maximum widths are measured to the outside of the dropouts.

Dropout Spacing	Minimum Width	Maximum Width
100 mm	111 mm	117 mm
130 mm	141 mm	147 mm
135 mm	146 mm	152 mm

2. After ensuring your bicycle frame and fork have been properly assembled, make sure that your fork and rear frame dropouts are clean and will properly accept the quick release end cap tips (Ca) on your hub(s) and the adjusting nut and cam follower on your quick release.

3. If you are able to properly inspect your frame and fork and everything is within spec please proceed to **Step 2**.

DISC BRAKE USERS PLEASE NOTE: DO NOT use/squeeze your brake lever(s) without your disc brake rotors properly installed in your brake calipers.

Step 2: Quick Release Preparation Prior to Installation

1. Remove the adjusting nut (A) and cone spring (Ba) from the skewer (G). Lubricate the lever pivot (I) with either Phil Tenacious Oil or Bio-Lube.
2. Insert the skewer (G) into the opening of the quick release end cap (Cb) that is closest to the "P" of our "Phil" logo. Slide the skewer through the axle of the hub until it exits the quick release end cap on the other side of the hub closest to the "l" of the "Phil" logo.
3. Slide the cone spring (Ba) back onto the skewer making sure that the narrower end of the spring is facing the hub end cap (Cb).
4. Thread the adjusting nut (A) back onto the skewer threads (F) a few turns, making sure that the wider end is facing the hub.

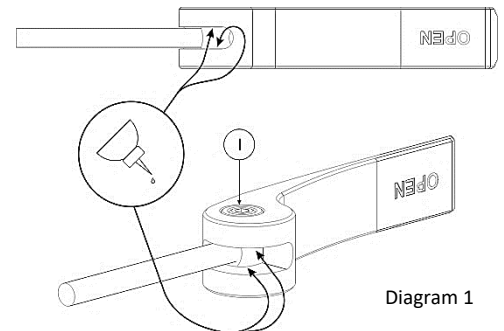


Diagram 1

DISC BRAKE USERS PLEASE NOTE: In the following Steps 3 and 4, please keep the following in mind. If you are using a disc brake make sure to check that the quick release lever (J) when in the closed position does not interfere with the disc brake rotor. If there is interference install the quick release with the lever on the opposite side to the disc brake rotor. Take care to not damage the disc rotor or brake pads when installing the brake rotor back into the brake caliper.

5. Repeat the above instructions 1-4 for the rear wheel.

Step 3: Front Wheel Installation

1. Make sure your quick release lever (J) is in the open position (See Diagram 2).
2. Insert the wheel into your front fork so the quick release lever is on the non-drive side (unless there is interference between the lever and disc brake rotor). Make sure that the end cap tips (Ca) are firmly at the top of the dropouts.
3. Before moving the quick release lever to the closed position for the first time, make sure the cam follower (E) and the cam lever (H) are properly seated together (you can see the proper seating position in diagram 2 and 3).
4. Tighten your adjusting nut by turning it clockwise until it touches your fork's dropout (loosen the adjusting nut by turning it counter clockwise if needed) and move the quick release lever to the closed position (see diagram 4). It should require a considerable amount of force to close. When closing the quick release lever, make sure the lever is pointing toward the back of the bicycle or in a parallel position with the fork. If the quick release lever is too easy to close, move the lever back to the open position and repeat tightening the adjusting nut 1/8 of a turn and closing the lever until the correct amount of force is reached.

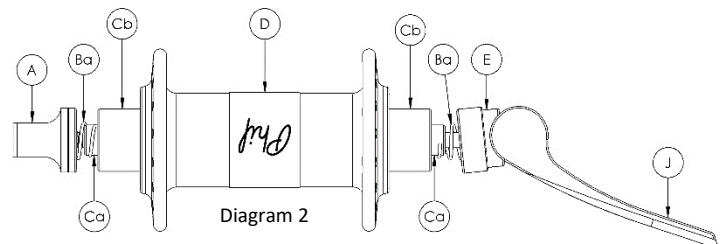


Diagram 2

PLEASE NOTE: Make sure that the front fork does not interfere with the quick release lever when in the closed position. Also make sure that the adjusting nut and cam follower clear any of the safety tabs that might be on the fork. If the fork interferes with the quick release lever or a safety tab prevents either the adjusting nut or cam follower from fully clamping down, an insufficient amount of clamping force may occur resulting in serious and/or fatal injury. **DO NOT** use our quick release to install the wheel if either of the above occurs.

Step 4: Rear Wheel Installation

PLEASE NOTE: Multi-Speed Bicycles: Before re-installing your rear wheel your derailleur should be in the outermost gear and your chain should be on the crank's smallest sprocket.

1. Make sure your quick release lever (J) is in the open position (See, Diagram 2).
2. Insert the wheel into your rear dropouts so the quick release lever is on the non-drive side. Make sure that the end cap tips (Ca) are firmly at the top of the dropouts.
3. Before moving the quick release lever to the closed position for the first time, make sure the cam follower (E) and the cam lever (H) are properly seated together (you can see the proper seating position in diagram 2 and 3).
4. Tighten your adjusting nut by turning it clockwise until it touches your rear dropout (loosen the adjusting nut by turning it counter clockwise if needed) and move the quick release lever to the closed position (see diagram 4). It should require a considerable amount of force to close. When closing the quick release lever, make sure the lever is pointing toward the back of the bicycle or in a parallel position along the bicycle frame. If the quick release lever is too easy to close, move the lever back to the open position and repeat tightening the adjusting nut 1/8 of a turn and closing the lever until the correct amount of force is reached.

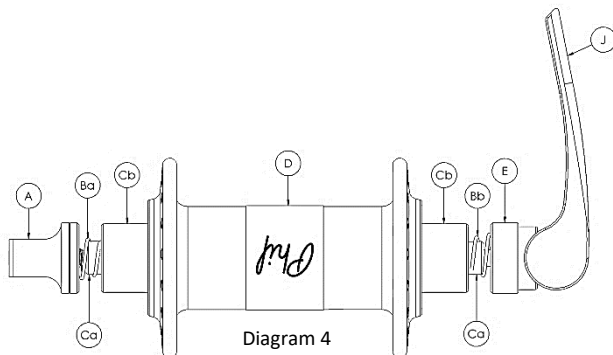
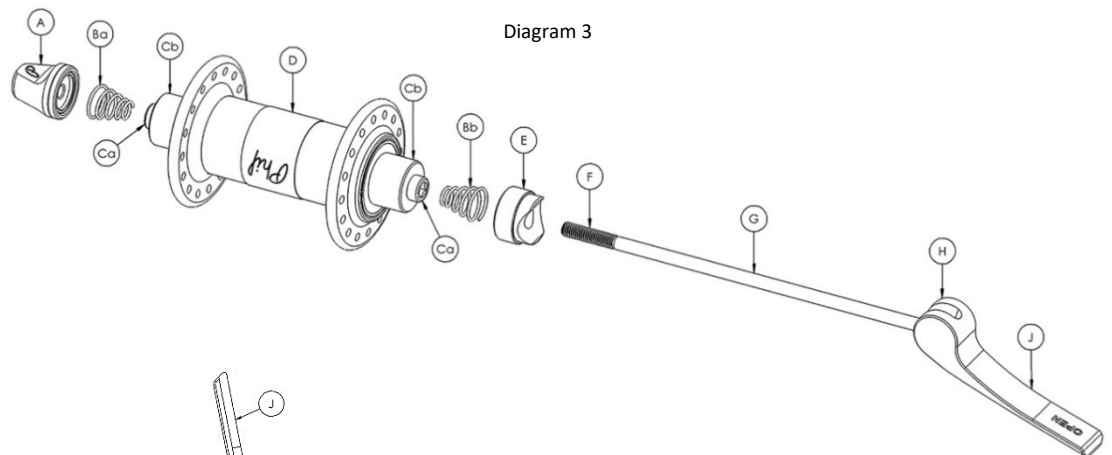
PLEASE NOTE: Make sure that the frame does not interfere with the quick release lever when in the closed position. Also make sure that the adjusting nut and cam follower clear any of the safety tabs that might be on the rear dropouts. If the frame interferes with the quick release lever or a safety tab prevents either the adjusting nut or cam follower from fully clamping down, an insufficient amount of clamping force may occur resulting in serious and/or fatal injury. **DO NOT** use our quick release to install the wheel if either of the above occurs.

Step 5: Maintenance

1. Before every ride check that your quick release hubs and quick releases are properly installed on your bicycle and are undamaged.

Quick Release Overview

- A. Adjusting nut
- Ba. Cone spring
- Bb. Cone spring
- Ca. End cap tip
- Cb. Quick release end cap
- D. Quick release hub
- E. Cam follower
- F. Skewer threads
- G. Skewer
- H. Cam lever
- I. Lever pivot (see diagram 1)
- J. Quick release lever



Limited Warranty

Phil Wood & Co. provides a limited lifetime warranty against manufacturing defects. This means that we offer a guarantee on material and production thereof for the life of the product to the original owner. In order to be considered for warranty, original proof of purchase from an Authorized Phil Wood & Co. Retailer/Dealer showing date of purchase must be provided. We also offer a one-year guarantee on all our bearings from the date of purchase. Bearings that fail due to contamination, misuse, improper tampering, or improper maintenance are not covered under warranty even if failure occurs within one year from date of purchase.

All Phil Wood & Co. products have an intended purpose. Products used outside of that purpose will not be warranted and Phil Wood cannot be held responsible for any damage that may occur due to misuse. It is the end user's responsibility to examine the product on a regular basis to determine if it requires service and or replacement. (See included maintenance instructions for further information.)

NOT COVERED UNDER THIS LIMITED WARRANTY ARE THE FOLLOWING:

1. Normal wear of parts that are subject to wear (e.g. bearings and ratchet mechanisms)
 2. Incorrect re-assembly
 3. Use in combination with other products that are not compatible (e.g. threading a FW onto the fixed side of a track hub)
 4. Insufficient maintenance, tampering, misuse, and neglect.
- *Phil Wood & Co. does not cover the cost of shipping on repair or warranty items back to us beyond 90 days from the original purchase date.

Return Policy

All returns, regardless of reason or cause, must have a return authorization number (RA#). We will not accept or process any item(s) without an RA#. Please contact us for RA# information via email at sales@philwood.com or call us at (408) 298-1540.

- RA#s are good for up to 60 days from the day they are issued.
- Items returned for credit are subject to a 15% restocking fee unless the item is returned due to our mis-shipment.
- Product and parts can be returned for credit (less restocking fee) if the product was never installed, used, altered, or damaged in any way. The return must be within 90 days of the original date of purchase.
- Items returned for exchange due to an ordering error are subject to a 15% restocking fee and all shipping fees for up to 30 days from the date of purchase.
- Product and parts returned more than 30 days after date of purchase can be returned for credit (less a 30% restocking fee) for up to 90 days from the day of purchase.

- After 90 days, item(s) may not be returned for credit or exchange.
- Customer is responsible for properly packaging the returning item(s).
- Customer is responsible for any damages incurred due to improper packaging. Customer is also responsible for shipping fees.
- Partial credit may be given for returned item(s) that suffered cosmetic damages resulting from installation or shipping. Eligibility for credit will be determined by Phil Wood & Co.'s warranty and technical personnel. Any damage to a product that may compromise the integrity of the part will void any applicable credit.

Service Information

All services must have a return authorization number (RA#). We will not accept or process any item(s) without an RA#. Your issued RA# should be clearly written on the outside of your package so our service department can match your item(s) to the service information on file. Items sent to Phil Wood & Co. for service without a valid and legible RA# on the outside of the package will be REFUSED and returned to sender at their cost. (Depending on how busy our service department is, standard services can take 1-2 days to complete. Standard services can take longer to complete depending on service department workload and part availability.) Once issued, an RA# is valid for 60 days.

PLEASE NOTE: Items sent to Phil Wood & Co. for service without a valid and legible RA# placed on the outside of the package will be REFUSED and returned to sender at their cost. Phil Wood & Co. does not cover the cost of shipping on repair or warranty items sent back to us beyond 90 days from the original purchase date.