

NAVI Series - Wattage & CCT Selectable

LED Outdoor Flood Light

Project Name:	
Catalog Number:	
Notes:	



Product Description:

Konlite's NAVI Series LED Flood Lights are slim with a traditional low profile and constructed with die-cast aluminum housing to guarantee the durability and longevity against the outdoor elements. The NAVI uses a tempered glass cover to protect the LED chips from damage and to help diffuse the light.

Customize your light to fit your needs with in-field wattage and CCT selection. With the flip of a switch, you can choose between 3 preset wattages and 3 preset CCTs, providing a quick, easy, and adjustable solution.

Choose between 3 different mounting brackets: Knuckle Mount¹, Yoke/Trunnion Mount, and Slipfitter Mount². All mounting options are angle adjustable and are designed to withstand strong winds or other environmental elements, making this series the perfect solution for various flood lighting applications.

Applications:

Parking Lots, Walkways, Campuses, Flag Poles, Car Dealerships, Office Complexes, Retail, Residential, etc.

Features:

Construction

- Die-casting aluminum housing with fully sealed tempered glass

Optics

- NEMA 7H7V
- Wattage Selectable
- Selectable CCTs of 3000K, 4000K, & 5000K (Default Setting)
- CRI >70.
- High performance acrylic optic securely attached to internal heat sink for maximum thermal dissipation

Certification

- UL/cUL Wet Location Listed

Note: DesignLights Consortium™ Qualified and classified for DLC Standard (all lumen packages), refer to www.designlights.org for details.

Installation

Mounting Options:

- 1/2" Knuckle Mount¹
 - Yoke/Trunnion Mount
 - Slipfitter Mount²
1. Only available for the 30W & 63W Model
 2. Only available for the 108W & 155W Model

Electric

- Input Voltage: 120-277 VAC
- Operating Temperature Range: -40°F to 113°F
- 2 Ft Pigtail for Hardwiring on All Models Except Knuckle Mount Models
- 7.8" Pigtail for Hardwiring on Knuckle Mount Models

Warranty

5-year limited warranty. Complete warranty terms located at: <https://revolveled.com/pages/konlite-led-luminaire-limited-warranty>

Ordering Information					Example: KNV030MCPLV77KN	
Series	Wattage	CCT	Photo Control	Input Voltage	Distribution	Mounting Brackets
KNV	030 = (30/25/17)W 063 = (63/50/36)W 108 = (108/90/63)W 155 = (155/125/90)W	MC = Multiple CCTs (3000K, 4000K, 5000K)	P = with Photocell	LV=120-277VAC	77 = NEMA 7H7V (Wide Beam Distribution)	KN = Knuckle Mount** TR = Trunnion/Yoke Mount SF = Slipfitter Mount**

- Note:
1. The highest wattage selection is the default setting on all models.
 2. 5000K is the default CCT setting.
 3. The Knuckle Mount is only available for the 30W & 63W Model.
 4. The Slipfitter Mount is only available for the 108W & 155W Model.



2880 North Berkeley Lake Road NW, Suite 8, Duluth GA 30096
Toll Free: 877-718-0808 Fax: 770-817-0127 www.revolveled.com

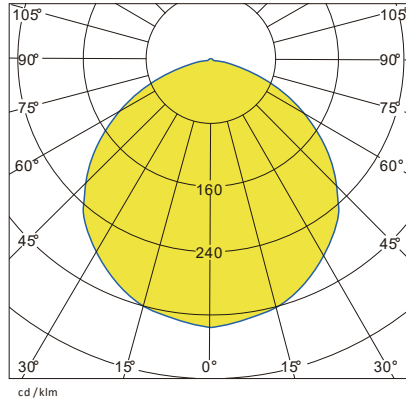
For informational purposes only.
Content is subject to change.
Rev. 6/15/24

Performance Data

Model Number	Wattage	CCT	Lumens	LPW	CRI
KNV030MCPLV77KN	17	3000K	3,050	179	>70
		4000K	3,200	188	>70
		5000K	3,100	183	>70
	25	3000K	4,250	170	>70
		4000K	4,500	180	>70
		5000K	4,400	176	>70
	30	3000K	4,950	165	>70
		4000K	5,250	175	>70
		5000K	5,150	172	>70
KNV063MCPLV77KN	36	3000K	6,400	178	>70
		4000K	6,800	189	>70
		5000K	6,550	182	>70
	50	3000K	8,500	170	>70
		4000K	9,050	181	>70
		5000K	8,700	174	>70
	63	3000K	10,080	160	>70
		4000K	10,750	171	>70
		5000K	10,350	164	>70
KNV108MCPLV77TR	63	3000K	10,950	174	>70
		4000K	11,850	188	>70
		5000K	11,550	183	>70
	90	3000K	15,100	168	>70
		4000K	16,250	181	>70
		5000K	15,850	176	>70
	108	3000K	17,060	158	>70
		4000K	18,400	171	>70
		5000K	17,950	166	>70
KNV155MCPLV77TR	90	3000K	15,400	171	>70
		4000K	17,550	195	>70
		5000K	16,250	181	>70
	125	3000K	20,250	162	>70
		4000K	23,050	185	>70
		5000K	21,400	171	>70
	155	3000K	23,250	150	>70
		4000K	26,450	171	>70
		5000K	24,550	159	>70

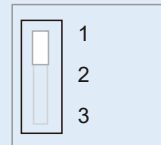
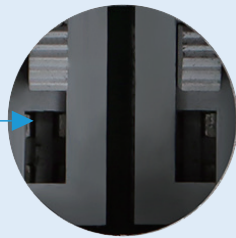


Photometrics



NEMA 7H7V
for All Models

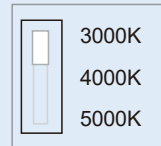
Power Selection And CCT Selection Capability



Power Setting

Wattage Selections
 - 30W, 25W, & 17W
 - 63W, 50W, & 36W
 - 108W, 90W, & 63W
 - 155W, 125W, & 90W

 The highest wattage selection is the default setting on all models.



CCT Setting

- 3000K, 4000K, & 5000K
 - Default Setting: 5000K

Electrical Data

Model Series	Wattage(W)	Current (AC)				
		Input Voltage (V)				
		120	208	240	277	480
(30/25/17)W	17	0.16	0.09	0.08	0.07	N.A
	25	0.23	0.13	0.12	0.10	N.A
	30	0.28	0.16	0.14	0.12	N.A
(63/50/36)W	36	0.33	0.19	0.17	0.14	N.A
	50	0.46	0.27	0.23	0.20	N.A
	63	0.58	0.34	0.29	0.25	N.A
(108/90/63)W	63	0.58	0.34	0.29	0.25	N.A
	90	0.83	0.48	0.42	0.36	N.A
	108	1.00	0.58	0.50	0.43	N.A
(155/125/90)W	90	0.83	0.48	0.42	0.36	0.21
	125	1.16	0.67	0.58	0.50	0.29
	155	1.44	0.83	0.72	0.62	0.36



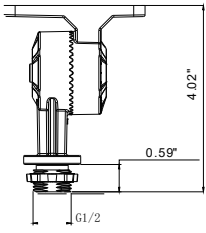
2880 North Berkeley Lake Road NW, Suite 8, Duluth GA 30096
 Toll Free: 877-718-0808 Fax: 770-817-0127 www.revolveled.com

For informational purposes only.
 Content is subject to change.

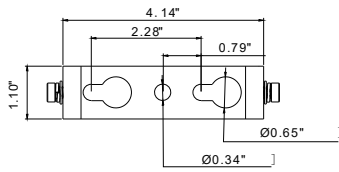
Rev. 6/15/24

Drilling Patterns

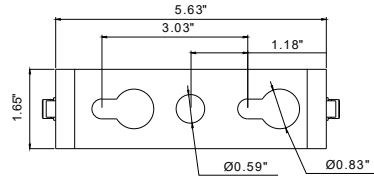
Knuckle Mount for
30W & 63W



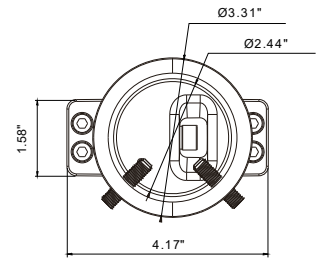
Trunnion Mount for
30 & 63W



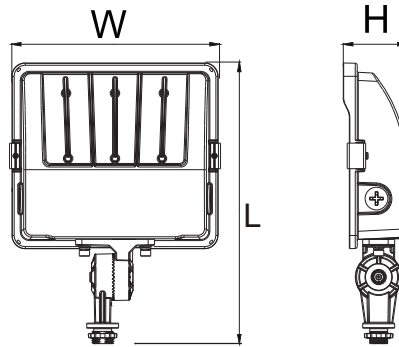
Trunnion Mount for
108W & 155W



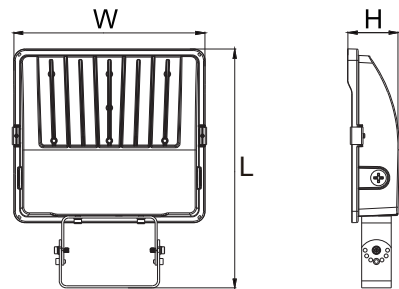
Slipfitter Mount for
108W & 155W



Dimensions

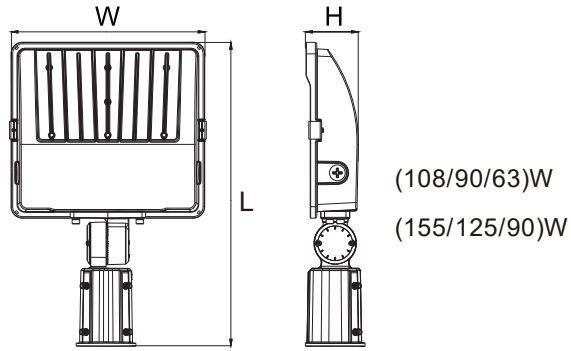


1/2"NPSM Knuckle Mount	LxWxH
(30/25/17)W	9.8" x 7" x 2.3"
(63/50/36)W	10.8" x 8" x 2.5"



(30/25/17)W
(63/50/36)W
(108/90/63)W
(155/125/90)W

Trunnion Mount	LxWxH
(30/25/17)W	8.7" x 7" x 2.3"
(63/50/36)W	9.7" x 8" x 2.5"
(108/90/63)W	11.8" x 9.2" x 2.9"
(155/125/90)W	13.5" x 10.7" x 2.9"



Slipfitter Mount	LxWxH
(108/90/63)W	15.3" x 9.2" x 2.9"
(155/125/90)W	16.8" x 10.7" x 2.9"