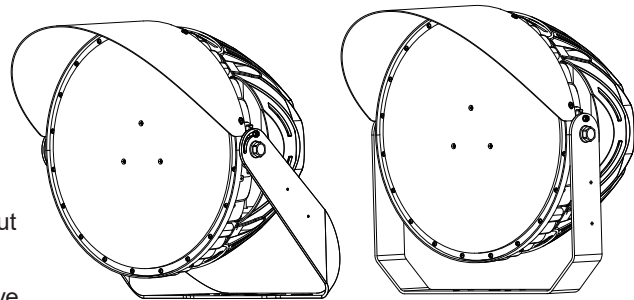


### This manual applies to the following:

300W, 400W, 500W Wattage Selectable Model

#### Product Features:

- The die cast aluminum heat sink is thermally conductive, providing great heat dissipation with an anti-static surface.
- The in-field wattage selectivity allows users to adjust the lumen output to their needs.
- Made for outdoor use, this light is waterproof, dustproof, and anti-corrosive.



300W, 400W, 500W Selectable

### SAFETY INSTRUCTIONS

Read and understand this manual before assembling, operating, or installing the LED Luminaire. Please consult your local supplier if you have any questions about the product.

1. All electrical work must conform to the National Electric Code (NEC) and all applicable local codes and ordinances
2. Only qualified personnel, such as a licensed electrician, should install and maintain the luminaire. Make sure to verify the safety of the existing power distribution system before beginning installation.

FAILURE TO FOLLOW OPERATING INSTRUCTIONS MAY LEAD TO DEATH, SEVERE INJURY, OR PROPERTY DAMAGE.

### ⚠ WARNING

Turn off the power before performing any electrical or control work. FAILURE TO FOLLOW THIS WARNING MAY LEAD TO DEATH, SEVERE INJURY, OR PROPERTY DAMAGE.

DO NOT make or alter any open holes in the luminaire. Do not modify the luminaire.

### ⚠ WARNING

Follow all applicable safety procedures and use Personal Protective Equipment such as hardhats, safety glasses, reflective vests, electrical safety gloves, fall protection equipment, and safety toe boots during the installation, operation, and maintenance of the luminaire. FAILURE TO FOLLOW THIS WARNING MAY LEAD TO DEATH, SEVERE INJURY, OR PROPERTY DAMAGE.

### ⚠ WARNING

Risk of eye injury! Eye protection is required at all times during the installation, operation, and maintenance of the luminaire. The high-intensity light produced by the luminaire can cause severe damage to the eye if viewed directly at close range. Avoid being in front of a luminaire that is on or wear suitable light-blocking eyewear such as welding goggles.

Store luminaires in a clean, dry place, protected from dirt, water, and sunlight. See table for required storage and operating conditions:

Storage Temperature	Operating Temperature	Humidity
40°F to 167°F	-20°~131°F	5% to 95% non-condensing

### WARNING:

Please read the manual carefully before installing any light fixture. These fixtures should only be installed by qualified personnel such as an electrician. Before installation, verify that the local voltage range corresponds with the working voltage of the light fixture. If the fixture is damaged, DO NOT INSTALL. Call your supplier and have the light replaced. Please keep the fixture away from any fire, electric shock, and/or vibrations.

#### Step 1: Attach the Visor

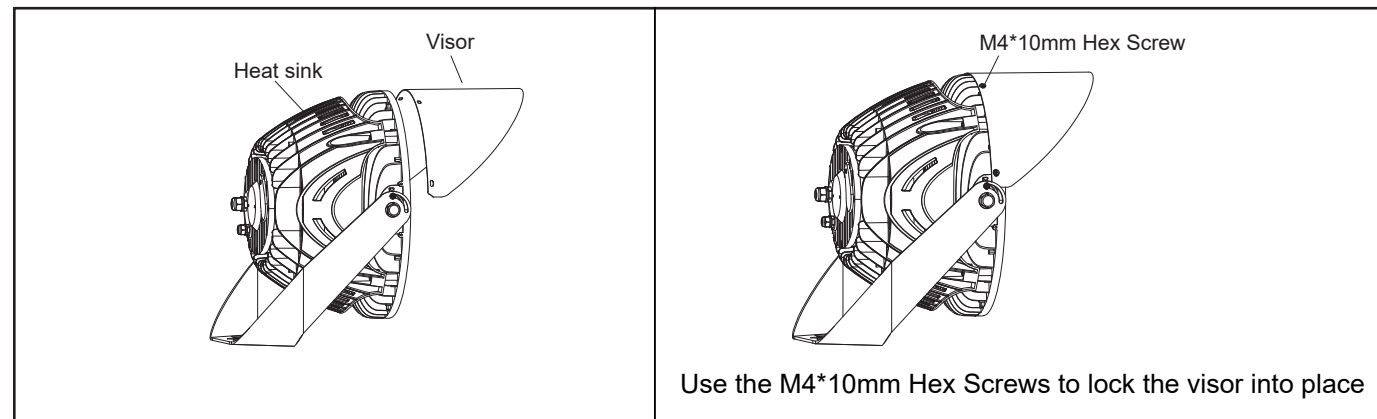


Figure 1. Visor Attachment

#### Step 2: Mount the Luminaires (Yoke Mount)

1. Insert M20 bolts and plain washers onto bracket
2. Align rotatable bracket with mounting structure
3. Secure bracket, bolts, Plain & lock washers with mounting structure
4. Tighten the nuts hand tight so the mounting structure is secure but do not fully torque nuts until the desired aiming is achieved

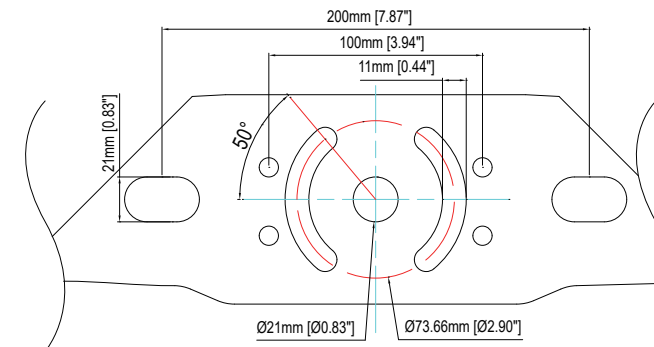


Figure 2. Mounting Hole Diagram

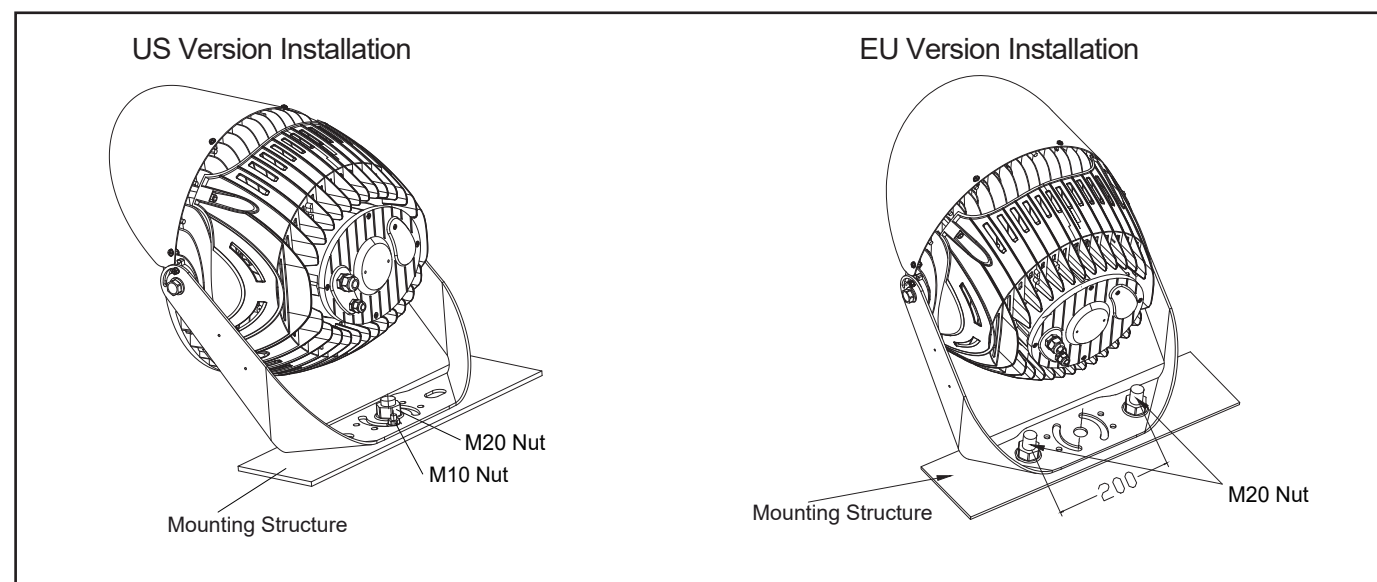


Figure 3. Standard Mounting

### Step 3: Aim the Luminaires

Adjust and aim the angle of the light to ensure even distribution on the playing field. You can do this by using the Orientation Label provided on the yoke mount or by using the Laser Sight (sold separately). See next page for instructions on aiming with a laser sight.

#### Aiming with Orientation Label

Using the orientation label as a reference, you'll turn, tilt, and adjust the light fixture's position before setting the light in place. The orientation label works a guide to determine what angle your light is facing as you turn the light left and right. Use the degrees and measurement marks on the side of the bracket for reference as you tilt the light up and down to have it facing where you need it to.

To get started, mount the luminaire to the structure but leave the mounting nut slightly loose to still allow the light to be turned and angled. Once you've settled on perfect angle, mount the light full to fix it into place. Then, to adjust the tilt angle, loosen the screw on the side of the bracket and tilt the light up and down as needed to direct it at your target location. Use the angle measurement marks on the side of the bracket as a reference.

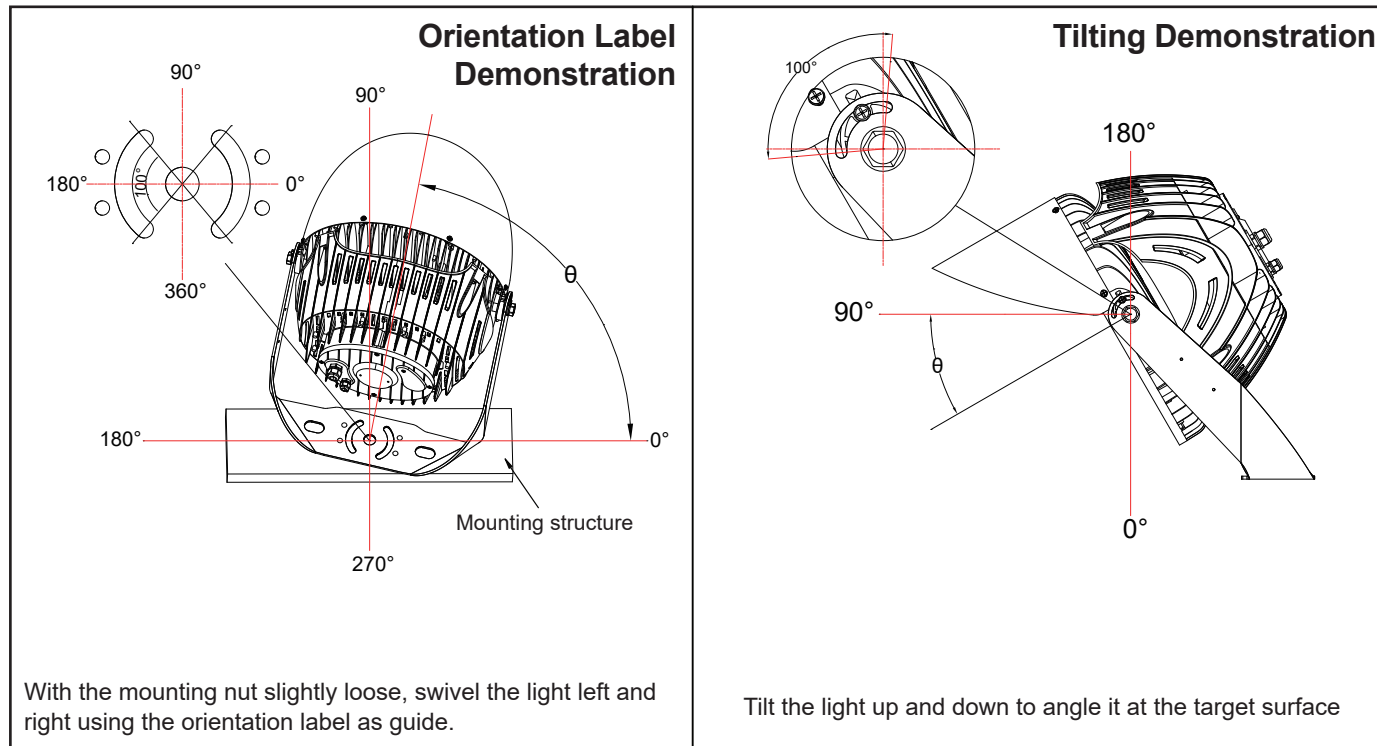


Figure 4. Orient and tilt

#### Electrical Load

System Wattage (W)	Current (A)					
	120V	208V	240V	277V	347V	480V
300	2.75	1.59	1.38	1.19	0.95	0.69
400	3.67	2.12	1.83	1.59	1.27	0.92
500	4.58	2.64	2.29	1.99	1.59	1.15

#### EPA Rating Information (ft<sup>2</sup>)

Wattage(W)	Front	Side	Top
300/400/500	1.28	0.85	1.36

### Slip Fitter Mounting Instructions

(Only Applicable to 300W/400W/500W Model)

1. With the slip fitter attached to the light, slide the slip fitter over the pole.
2. Tighten the slip fitter screws to secure it to the pole.
3. Adjust the light according to the desired angle.
4. Tighten the screws on the slip fitter to lock the position in place.

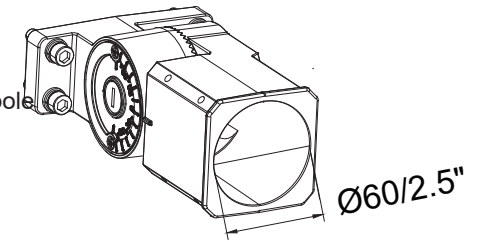


Figure 5. Slipfitter

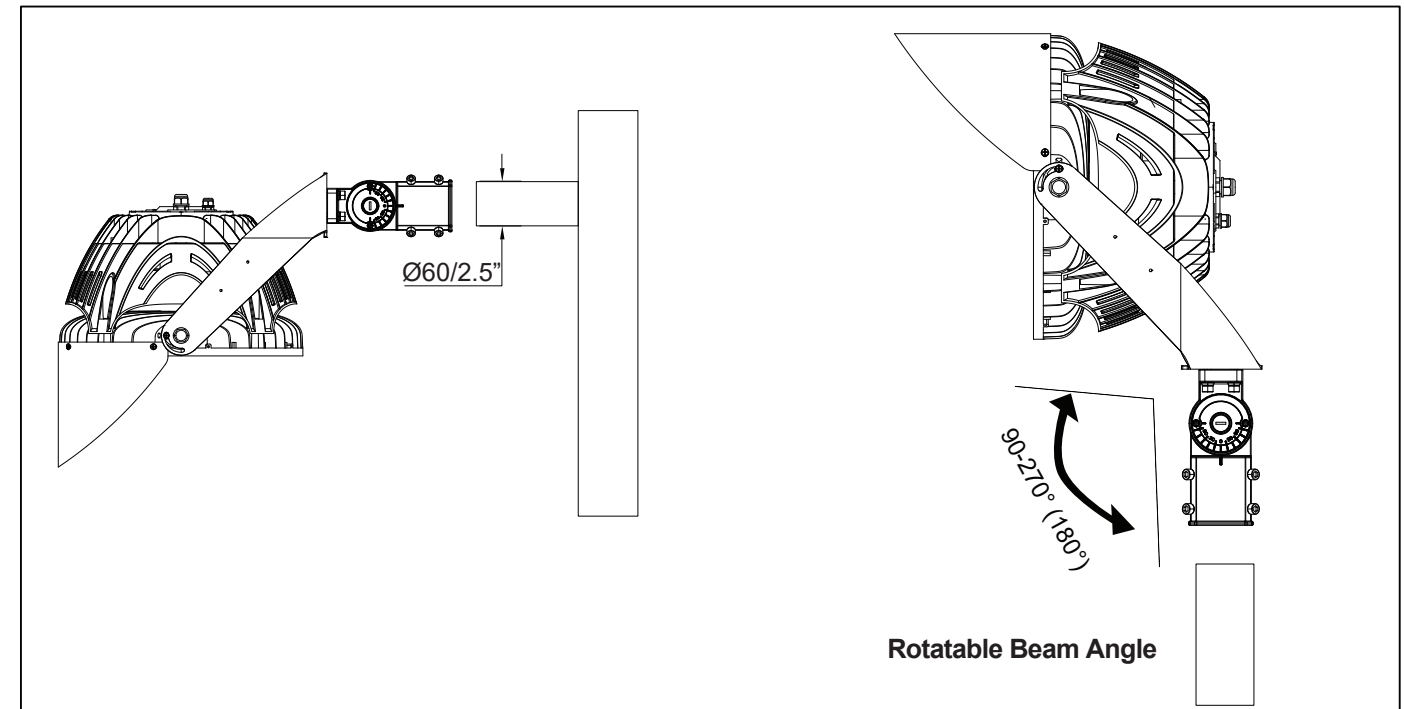


Figure 6. Pole Mounting

#### Power Wiring Connections

### ⚠ WARNING

Always turn the power to the fixture OFF before performing any work on control wiring. Turn transmitters off before working on main control lines. Performing any work on control connections while fixtures are receiving the signal may result in transient or fluttering control signals which can cause damage to the luminaire. FAILURE TO FOLLOW THIS WARNING MAY LEAD TO LUMINAIRE INTERNAL DAMAGE AND FAILURE.

#### ■ Wiring Diagram

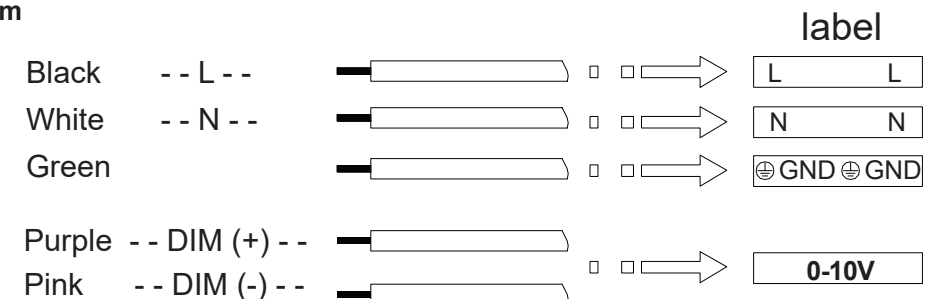


Figure 7. Wiring Connections

**Fasten safety cable**

Safety cables are not included (Sold Separately).

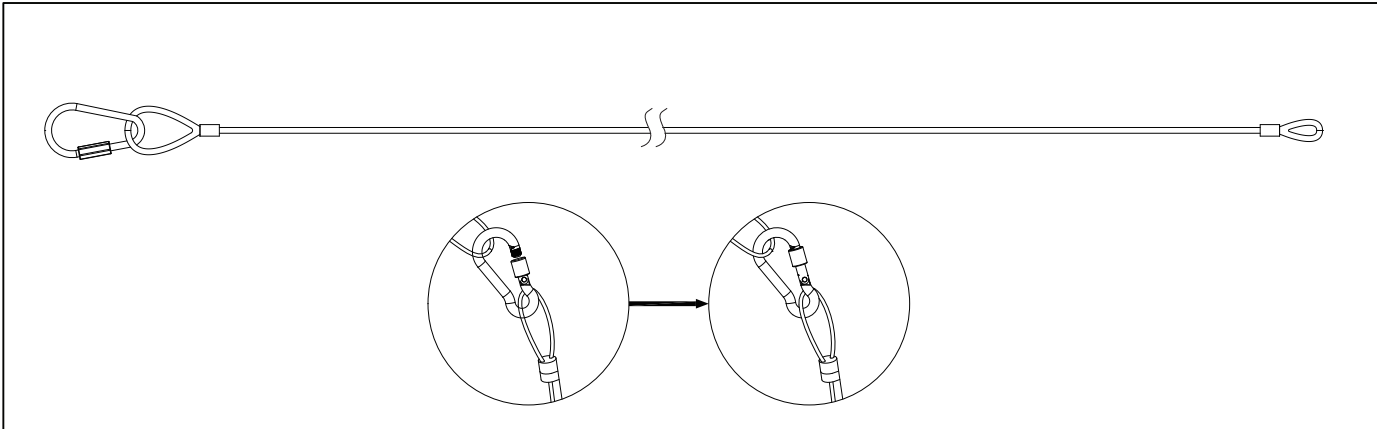


Figure 8. safety cable

**⚠ WARNING**

1. Ensure there are no sharp edges on the mounting bracket or around the mounting site.
2. The safety chain **MUST** be replaced immediately if any of the following scenarios occur:
  - a. The safety chain was stretched at any time due to luminaire falling
  - b. Part of safety chain's steel wire is broken or frayed
  - c. The safety chain is designed to protect the luminaire from falling, but the luminaire should not be suspended for a prolonged period of time.

**For installations with mounting heights over 10ft:**

A secondary safety system application is mandatory, which is appropriated for the luminaire load. (e.g. safety cable)

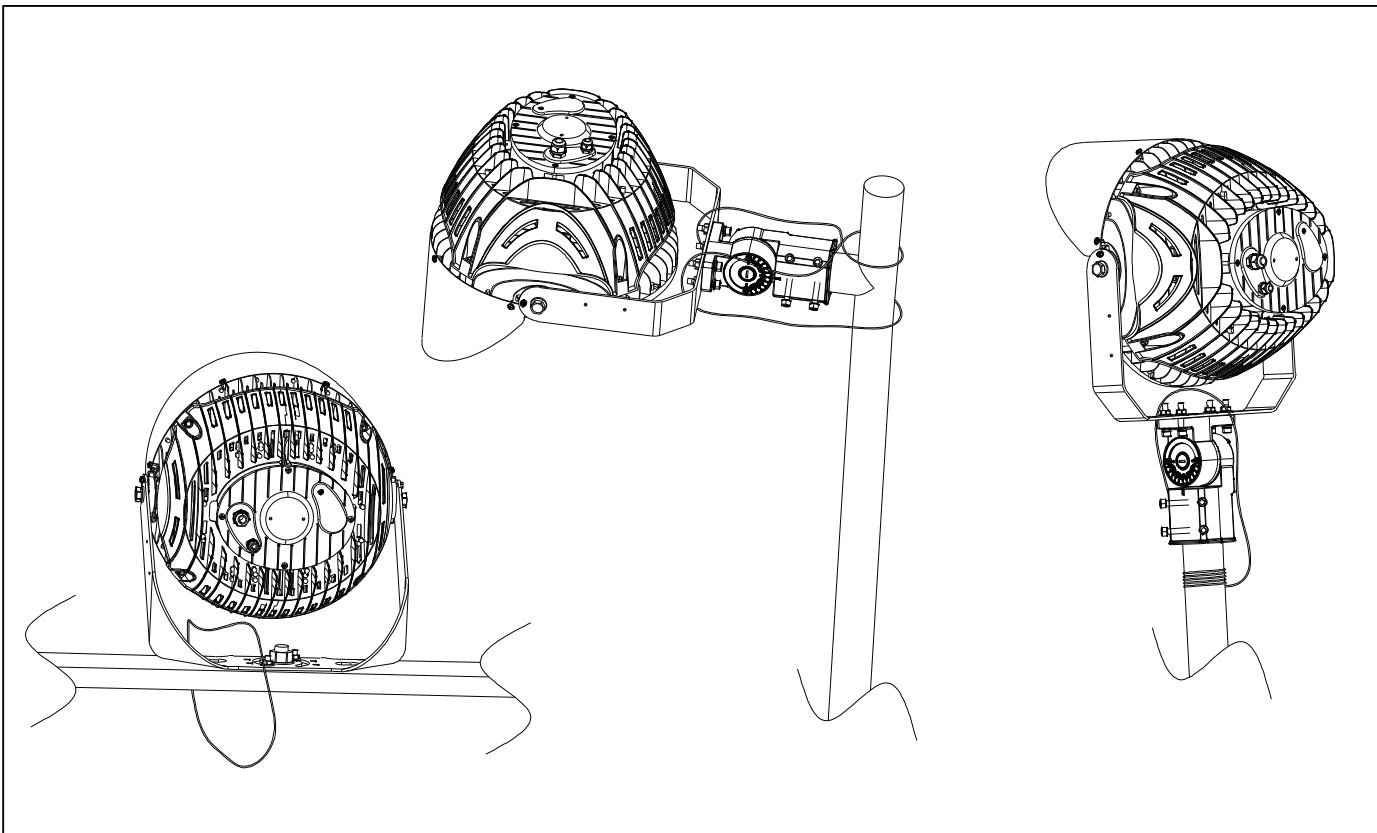


Figure 9. safety cable Installation

**Using the Laser Sight**

**Precision Laser Aiming by Coordinates:**

Laser aiming is the most effective and preferred technique for aiming sports lighting. This method uses a laser mounted to the luminaire to point the fixture at a predetermined point on the playing surface using (X, Y) coordinates. Unless otherwise noted, aiming coordinates on photometric or project installation drawings are based on the origin (0,0,0) placed at the center field, court, or ice. All dimensions from that point are in feet along the playing surface unless otherwise noted.

**⚠ WARNING**

**NEVER** point the laser sight at any person or animal as it can cause permanent damage to the eyes. Only aim the laser at the target surface as directed. **FAILURE TO FOLLOW THIS WARNING MAY LEAD TO SEVERE INJURY.**

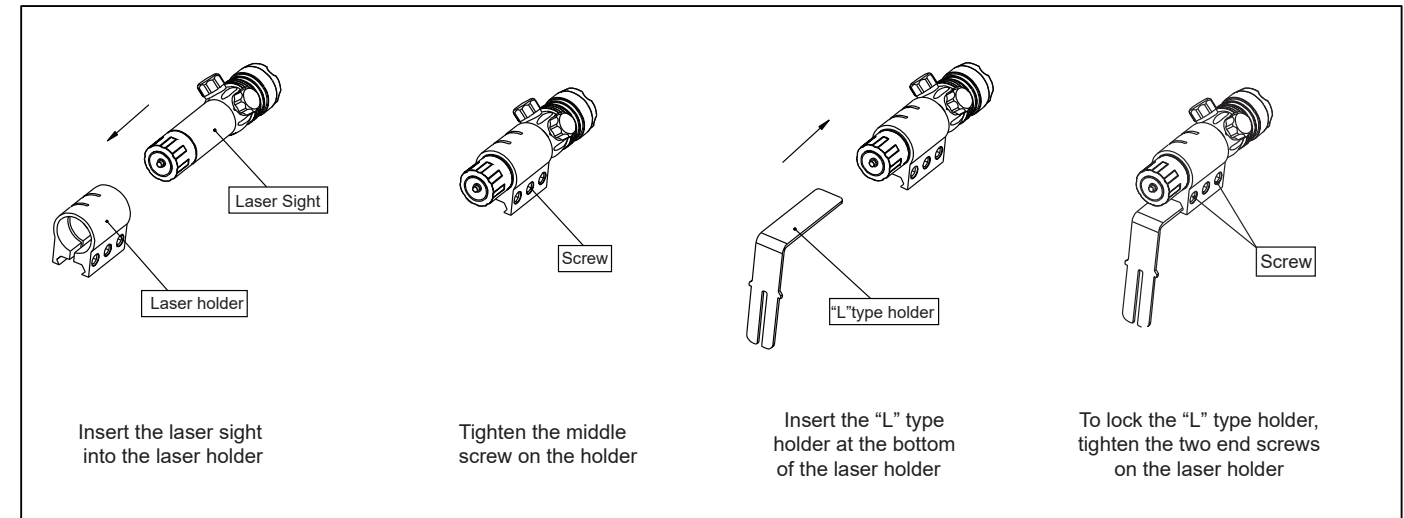


Figure 10. Laser Sight Assembly

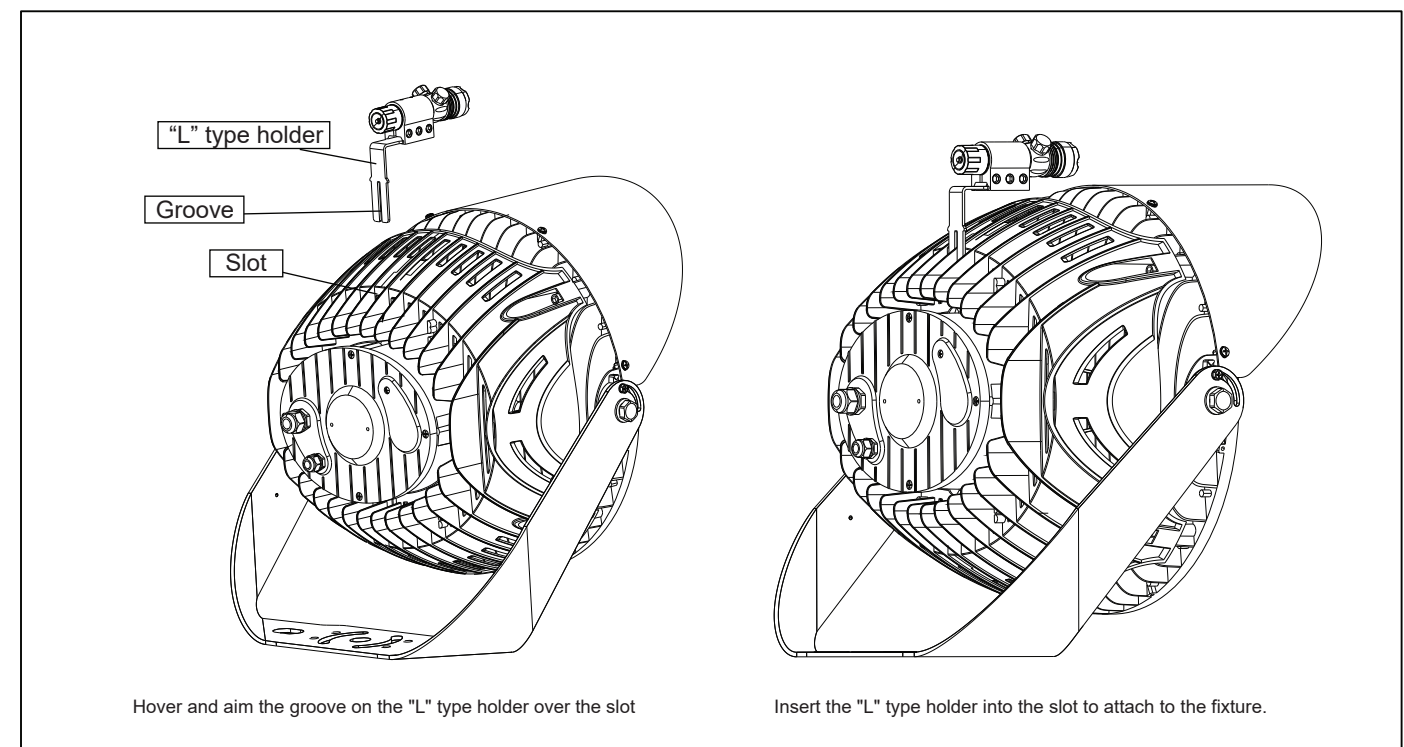


Figure 11. Laser Installation





**Maintenance & Preventative Maintenance**

**Fixture Care and Maintenance**

All luminaires are prepared with a powder-coated finish. The finish on exterior luminaires may weather over time, depending on the environmental conditions at the installation site. Proper care of the luminaires will maintain their performance and appearance.

Follow a regular maintenance schedule to retain optimal light output and thermal performance.

Problem	Troubleshooting Steps
Luminaire does not power on	<ul style="list-style-type: none"> <li>• Verify the power supply is on, at the proper voltage, and stable.</li> <li>• Check connections at the source and the fixture.</li> <li>• If the dimming function is in use, verify that the dimmed setting is above 50%.</li> </ul>
Luminaire does not respond to controls	<ul style="list-style-type: none"> <li>• Reset the fixture by turning all power sources off for at least 10 seconds.</li> <li>• Inspect all system control wiring to make sure there are no poor connections or breaks in the control wiring.</li> </ul>

**Cleaning**

1. Clean all luminaires at a minimum of once every 12 months upon receipt of your product.
2. Remove any dirt, leaves, or other foreign debris from the luminaire housing that can block and potentially inhibit the air flow/heat dissipation provided by the heat sink.
3. Wipe the optical lenses with a clean, dry, cotton cloth to remove dust and other contaminants. A non-abrasive optical cleanser or water may be used periodically.
4. Do not apply cleaners in direct sunlight or at elevated temperatures.



**WARNING**

**Inspection of Hardware**

Inspect the mounting system and products at least once every 12 months, and replace all rusted hardware elements (if any).



**Troubleshooting**

If the system appears to not be operating correctly, perform the following steps:

**Gather Data**

The first step is always to find out as much about the issue as possible. Ask the following questions:

1. **How many fixtures are not operating correctly?** If only one fixture is not responding, continue investigating that fixture itself. If a group of fixtures is not responding correctly, start at the source of the power or controls for that group.
2. **Have any obvious external forces been in the area?** For instance, were any riggers, electricians, or other workers near the fixtures or controls? Have there been any power disturbances in the facility such as any storms?
3. **Are your fixtures responding to the input controls, such as 0-10V dimming, DMX?** If you are using any dimming function, double check what the lights are set to. Run a troubleshooting test of changing every light to 100% brightness for 10 seconds and then change the setting to 0%/completely off for 10 seconds. Take note of any fixtures not responding correctly.

**Fixture Replacement**

**Contacting Warranty Technical Support**

1. Before you call, make sure you have completed the troubleshooting steps above.
2. Gather as much detailed information as possible about the situation.
3. Have your fixture and project information handy, including the model number of the fixture in question.

Refer to your fixture warranty document for more information.

If you have attic stock fixtures available and need to replace a fixture, simply follow the installation instructions in this manual to replace the fixture in question. Be sure to address the replacement fixture with the correct luminaire number.

All Luminaires, materials, and accessory equipment being returned through the warranty process need to be placed back in their original packaging in the same orientation that they were originally shipped from the factory. If the packaging is damaged or if there are questions on the orientation in returning equipment and materials, you need to contact the Warranty Department for replacement packaging materials.