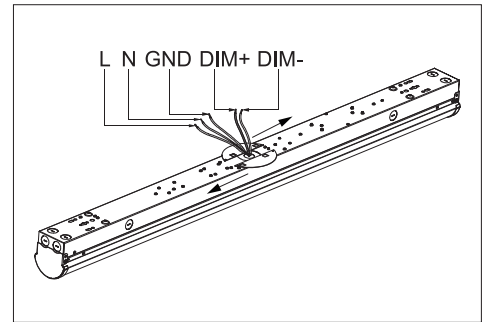
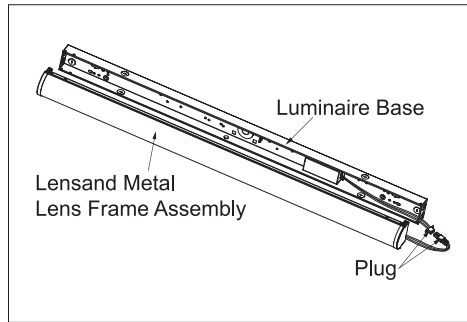
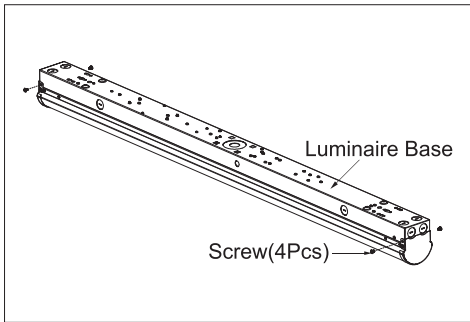


**WARNING**

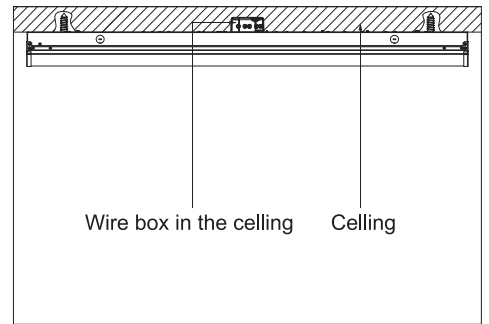
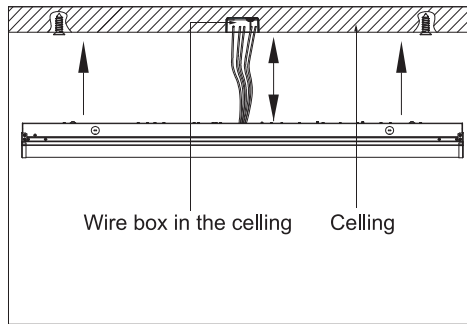
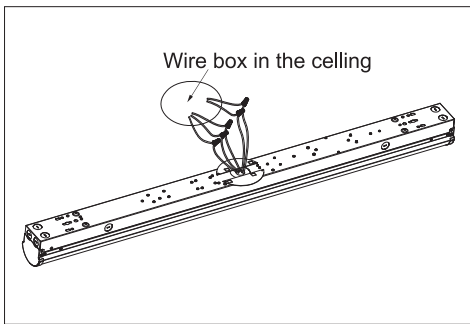
- Turn power off before inspection, installation or removal.
- The installation should be performed by qualified electricians or lighting technicians.
- Before conducting any installation, maintenance, or removal, disable all power to the luminaries and wait until the fixture cool down.
- Do not touch the fixture while it is in service.
- If there is any problem with the fixture, DO turn off power and DO NOT attempt repair unless you are a qualified technician or the customer service member.

## Surface mounting (Default)

1. Unscrew the 4pcs screws on the back box of the luminaire or the luminaire base.
2. Disconnect the wire plug to start installation.
3. Install and lock the mounting plate on the luminaire base following the arrow.

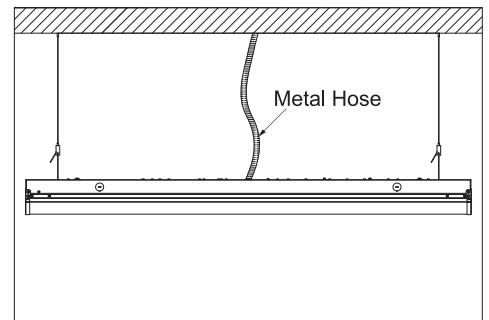
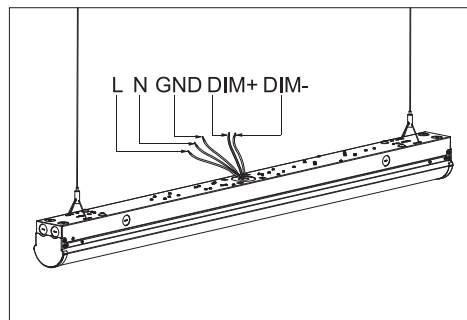
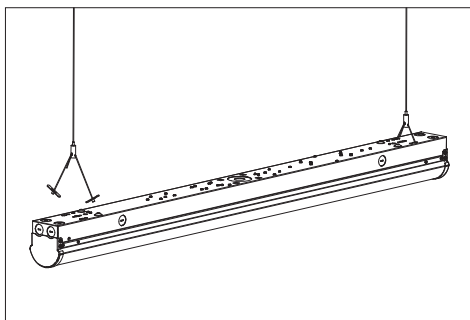


4. Connect the AC wires and dimming wires.
5. After wire connection complete, fix the screws on the ceiling.
6. Align the holes of the fixture with the screws on the ceiling and slide it to the side to lock the fixture.



## Chain mounting (Optional)

1. Clip the aircraft cable into the planned holes.
2. Connect the AC wires and dimming wires.
3. Wrap the wires with metal conduit.

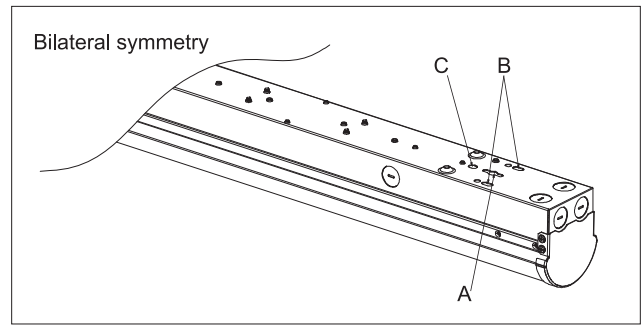


## T-Bar clip mounting (Optional)

Fix fixture to T-bar ceiling grid with T-bar clips which provided by customer. Refer to the left drawing, fix T-bar clips on Position " C " .

## Mounting hole indicator

- A. Keyhole Slots for Surface Mounting.
- B. V-Hook Openings for Chain Hanging.
- C. T-Bar Clip Mounting Hole.



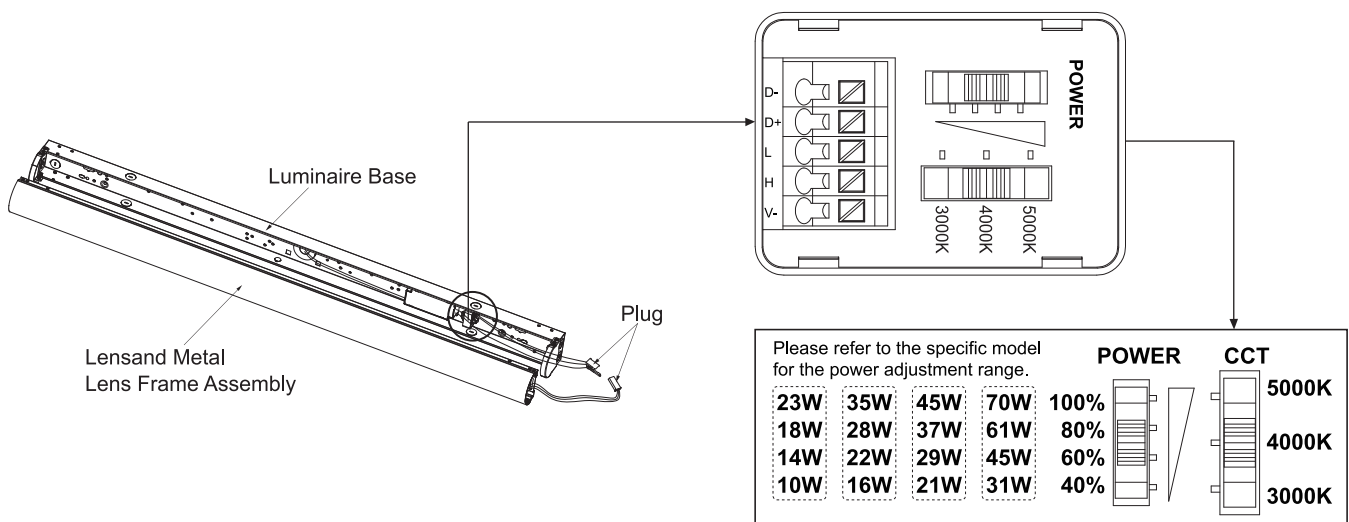
## Power and CCT selectable version (Optional)

- Unscrew the side cover screws that fix the power box cavity at both ends, separate the connection positions between the power box cavity and the light source cavity, and adjust the DIP switch of the square color temperature power controller fixed in the power box cavity to the corresponding color temperature and power gear in the actual application.

Color temperature range is 3000K/4000K/5000K optional, power gear is 100%/80%/60%/40% optional.

- Make sure that all wires are firmly connected, there are no exposed wires, and when assembling the side covers at both ends, please pay attention to the fact that the wires cannot be crushed by sheet metal parts and cause damage that can cause safety accidents.

**WARNING:** All electrical work must comply with the National Electrical Code (NEC) and locally used rules and regulations.



## WIRING DIAGRAM

For dimming version, please check wiring diagram below.

### WITHOUT EMERGENCY BATTERY

LED FIXTURES	Color	Terminal	Wiring
	Black		Line
	White		Neutral
	Green/Yellow Green		Ground
	Purple		DIM+
	Pink		DIM-

### WITH EMERGENCY BATTERY

LED FIXTURES	Color	Terminal	Wiring
	Red		AC line(24/7)
	Black		AC line switch
	White		Neutral
	Green/Yellow Green		Ground
	Purple		DIM+
	Pink		DIM-

## CLEANING & MAINTENANCE

**CAUTION:** Be sure fixture temperature is cool enough to touch.  
Do not clean or maintain while fixture is energized.

## TROUBLESHOOTING

- Check that the line voltage at the fixture is correct.  
Refer to wiring directions.
- Make sure the fixture grounded properly.
- Be sure the photocell, if used, is functioning properly.