

KWPD Series - Wattage & CCT Selectable

LED Full Cutoff Wall Pack

Project Name:	
Catalog Number:	
Notes:	



Product Description:

The Konlite KWPD Series LED Full Cut-Off Wall Pack is both Wattage selectable and CCT selectable, covers 21 single SKUs, and can replace up to a 400W MH. With uniform light distribution and an excellent LED lumen maintenance rating, this slim wall pack is an energy efficient lighting solution that's made to last.

This model offers an optional emergency backup battery and a photocell making it an ideal choice for wall mounted lighting applications.

Applications:

Parking Areas, Building Façades, Loading Areas, Driveways, Carports

Features & Specifications:

Construction

Two-piece die-cast aluminum housing ensures maximum heat dissipation for optimal performance

Electric

120-277 VAC input voltage.
 Power factor >90%, THD <20%, 0-10V Dimmable.
 Operating Temperature Range: -40°C to 45°C (-40°F - + 113°F)
 Note: Operating Temperature With Emergency Backup Battery:
 5°C to 40°C (+40°F - + 104°F)

Certification

UL Listed, suitable for wet locations.
 DesignLights Consortium® (DLC) Premium 5.1 qualified product.
 Note: Please refer to the DLC website for specific product qualifications at www.designlights.org.

Installation

Can be mounted directly onto a Junction Box or via Conduit Mounting

Optic

CCT Selectable with Selections of 3000K/4000K/5000K
 70 CRI Selectable Set Lumens from 3,900 to a Max. of 14,040 Lumens
 Anti-UV prismatic translucent lens designed to distribute light uniformly

Warranty

5-year limited warranty

Ordering Information				Example: KWPDLMWMCLV
Series	Wattage	CCT	Voltage	Emergency
KWPD	LMW=63W/45W/30W (63W default setting) MMW=90W/63W/45W (90W default setting) HMW=125W/105W/76W (125W default setting)	MC=3000K/4000K/5000K (5000K default setting)	LV=120-277V	Blank=Without Emergency Battery Backup EM=With Emergency Battery Backup

Note:

1) 8W Emergency Battery Backup for LMW (63W/45W/30W), 15W Emergency Battery Backup for MMW & HMW (90W/63W/45W, 125W/105W/76W).



2880 North Berkeley Lake Road NW, Suite 8 Duluth, GA 30096
 Toll Free: 877-718-0808 Fax: 770-817-0127 www.revolveled.com

For informational purposes only.
 Content is subject to change.

Rev. 12/25/23

POWER SELECTIONS & EQUIVALENTS



Switches for Power & CCT Selection

KWPD	Wattage	63W*	45W	30W
	Equal	250W MH	175W MH	100W MH
	Wattage	90W*	63W	45W
	Equal	320W MH	250W MH	175W MH
	Wattage	125W*	105W	76W
	Equal	600W MH	400W MH	250W MH

*Default power setting for each size.

PERFORMANCE DATA

Photometric Data

Lumen values are based on 277 AC input product configuration, contact for performance data on any configurations not shown here

SYSTEM WATTS	VOLTAGE	CRI	LUMENS (3000K)	LPW (3000K)	LUMENS (4000K)	LPW (4000K)	LUMENS (5000K)	LPW (5000K)
30W	120-277VAC	70	4,440lm	148lm/w	4,890lm	163lm/w	4,740lm	158lm/w
45W	120-277VAC	70	6,615lm	147lm/w	7,335lm	163lm/w	7,065lm	157lm/w
63W	120-277VAC	70	9,160lm	146lm/w	10,217lm	162lm/w	9,797lm	156lm/w
76W	120-277VAC	70	11,010lm	145lm/w	12,312lm	162lm/w	11,856lm	156lm/w
90W	120-277VAC	70	13,052lm	143lm/w	14,575lm	160lm/w	13,939lm	154lm/w
105W	120-277VAC	70	15,225lm	145lm/w	17,535lm	167lm/w	16,590lm	158lm/w
125W	120-277VAC	70	18,017lm	144lm/w	20,812lm	166lm/w	19,645lm	157lm/w

Electrical Data

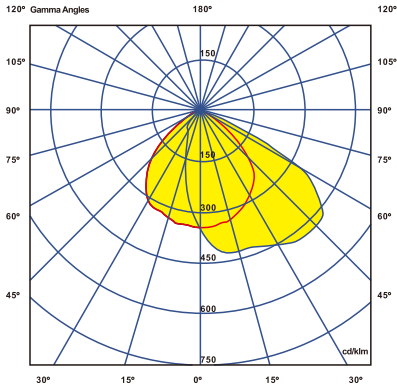
Wattage	AC Input Current (A)			
	120V	208V	240V	277V
30W	0.25	0.14	0.12	0.11
45W	0.38	0.22	0.19	0.16
63W	0.53	0.30	0.26	0.23
76W	0.63	0.37	0.32	0.27
90W	0.75	0.43	0.38	0.32
105W	0.88	0.50	0.44	0.38
125W	1.04	0.60	0.52	0.45



Lumen Maintenance

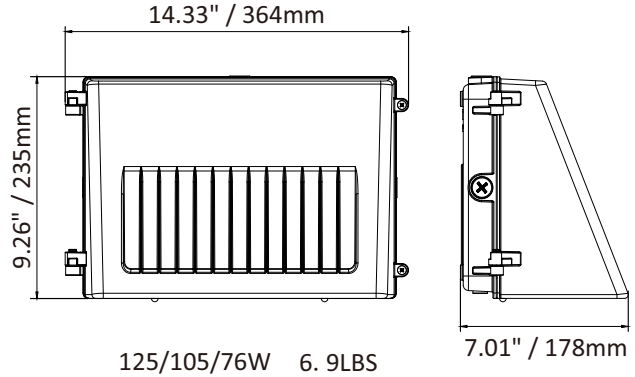
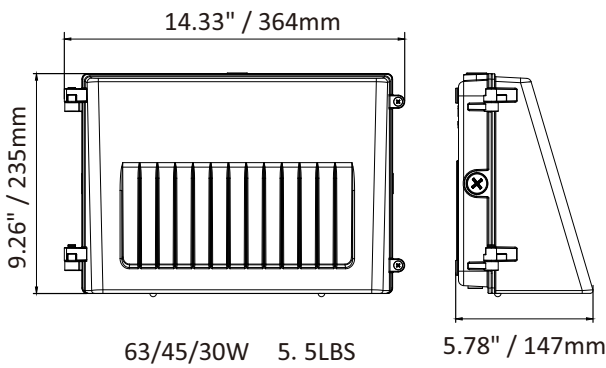
Operating hours	25,000	50,000	75,000	100,000
Lumen Maintenance Factor	>0.95	>0.89	>0.84	>0.79

PHOTOMETRIC DIAGRAM



FIXTURE DIMENSIONS AND WEIGHT

unit:inch/mm, Without Emergency Battery



unit:inch/mm, With Emergency Battery

