

RDAL0204 SERIES

LED AREA LIGHT

Project Name:	
SKU Number:	
Notes:	



The Konlite RDAL0204 Series LED Area light combines optical uniformity, energy efficiency and long term reliability. Eliminate maintenance while reducing 65% energy consumption when replacing outdated Metal Halide - HPS fixtures or using in new construction. With a combination of performance, aesthetics, energy efficiency and light control the Konlite RDAL0204 Area Light can be used as pole lights or surface mounts for parking lot (shoebox), street lights or outdoor security lights (flood).

Applications:

Parking Lot and Street, Parks & Outdoor Recreation, Field lighting, Receiving docks, Signage, Building facades and more.

Features:

Construction

The RDAL0204 Series LED area luminaire features a rugged die-cast aluminum housing with Dark Bronze powder coat finish. Built to last and withstand harsh elements, the AL04 stylish housing offers separation between the LEDs, the driver circuitry and larger heat sink allowing for longer operating life. Compact and lightweight design with low EPA, 3G rated for vibration per ANSI C136.31.

Electric

Universal 120-277V and 347-480V AC input, with 1-10V dimmable driver. THD<20%.

Installation

Extrusion arm for round or square pole, Slip-fitter, Wall mount and Trunnion mount. Suitable for mounting heights ranging from 16' - 40'

Optics

UV resistant polycarbonate optical lens, Type III is standard beam distribution. Type IV, V are available on request. The visual comfort optics create a larger luminous surface area resulting in a low glare appearance. CCT 4000K and 5000K are both available.

Certification

This fixture is UL listed for U.S. and Canada. IP66 Wet location rated. DLC 5.1 Premium qualified.

Warranty

Estimated 100,000 hours lifespan based on IES LM-80 with 5-Year limited warranty.

Ordering Information				Example: RD02041005KDPEXL3D	
RDAL0204					
Series	Wattage	CCT	Dimming	Photo Control ³	Motion Sensor
RDAL0204	040=40W 045=45W ¹ 070=70W 075=75W ¹ 100=100W ² 150=150W 200=200W 250=250W 300=300W	4K=4000K 5K=5000K	D=1-10V Dimmable	N=Without Photocell P=NEMA 120-277V Photocell P0=Receptacle with Shorting Cap P3=NEMA 347V Photocell P4=NEMA 480V Photocell P5=7-Pin receptacle	Blank=Without Sensor M=With Motion Sensor
Mounting	Voltage	Distribution	Finish		
EX=Extrusion Arm for pole mount (Round and Square pole) SF=Slipfitter mount WM=Wall mount TR=Trunnion mount	L=120-277V ⁴ H=347-480V	3=Type III 4=Type IV 5=Type V	D=Dark Bronze ⁵		

Notes:

- 45W and 75W are for 347-480V AC input only;
- When photo control is selected, fixture should not tilt above 45 degrees from horizontal
- Dark bronze finish as standard, other finish color lead time may longer.

- Surge protector is no standard offer for wattage below 100W
- 10KV surge protector for 120-277V, and 20KV surge protector for 347-480V



2880 North Berkeley Lake Road NW, Suite 8 Duluth, GA 30096
Toll Free: 877-718-0808 Fax: 770-817-0127

For informational purposes only.
Content is subject to change.

Rev. 1/5/22

ACCESSORIES

PHOTOCELL



7-pin NEMA Twist-lock 120-277V



3-pin NEMA Twist-lock 120-277V



3-pin NEMA Twist-lock 480V

MOUNTING



Pole Mount



Slipfitter Mount



Wall Mount



Yoke Mount

PERFORMANCE DATA

Lumen Output and BUG

Lumen values are based on 120-277V AC input product configuration, contact for performance data on any configurations not shown here.

Wattage	Distribution	4000K					5000K				
		Lumens	B	U	G	LPW	Lumens	B	U	G	LPW
40W	Type III	5,400	1	0	1	135	5,500	1	0	1	138
	Type IV	5,360	1	0	1	134	5,480	1	0	1	137
	Type V	5,600	2	0	1	140	5,720	2	0	1	143
70W	Type III	9,500	2	0	2	136	9,600	2	0	2	137
	Type IV	9,310	2	0	2	133	9,450	2	0	2	132
	Type V	9,730	3	0	1	139	9,800	3	0	1	140
100W	Type III	13,500	2	0	2	135	13,800	2	0	2	138
	Type IV	13,200	2	0	2	132	13,300	2	0	2	133
	Type V	13,800	3	0	2	138	13,900	3	0	2	139
150W	Type III	20,500	3	0	2	137	20,800	3	0	2	139
	Type IV	19,800	3	0	2	132	20,000	3	0	2	133
	Type V	20,500	4	0	2	137	20,800	4	0	2	139
200W	Type III	25,500	3	0	3	128	26,000	3	0	3	130
	Type IV	24,600	3	0	3	123	24,800	3	0	3	124
	Type V	25,500	4	0	2	128	26,000	4	0	2	130
250W	Type III	34,000	4	0	4	136	34,500	4	0	4	138
	Type IV	33,250	4	0	4	133	33,750	4	0	4	135
	Type V	24,750	5	0	3	139	35,250	5	0	3	141
300W	Type III	40,500	4	0	4	138	41,000	4	0	4	137
	Type IV	39,600	4	0	4	132	39,900	4	0	4	133
	Type V	40,500	5	0	3	135	41,000	5	0	3	137



2880 North Berkeley Lake Road NW, Suite 8 Duluth, GA 30096
Toll Free: 877-718-0808 Fax: 770-817-0127

For informational purposes only.
Content is subject to change.

Rev. 1/5/22

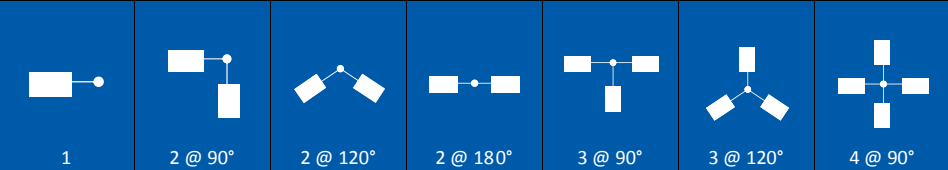
Electrical Data

Wattage	AC Input Current(A)					
	120V	208 V	240V	277V	347V	480V
40W	0.33	0.19	0.17	0.14	N.A	N.A
45W	N.A	N.A	N.A	N.A	0.13	0.09
70W	0.58	0.34	0.29	0.25	N.A	N.A
75W	N.A	N.A	N.A	N.A	0.22	0.16
100W	0.83	0.48	0.42	0.36	0.29	0.21
150W	1.25	0.72	0.63	0.54	0.43	0.31
200W	1.67	0.96	0.83	0.72	0.58	0.42
250W	2.08	1.2	1.04	0.9	0.72	0.52
300W	2.5	1.44	1.25	1.08	0.86	0.63

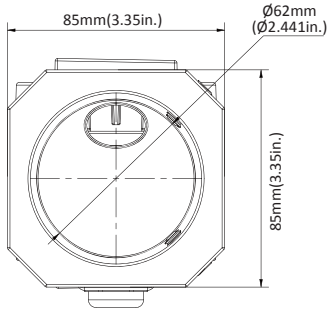
Lumen Maintenance

Operating hours	25,000	50,000	75,000	100,000
Lumen Maintenance Factor	>0.93	>0.87	>0.81	>0.75

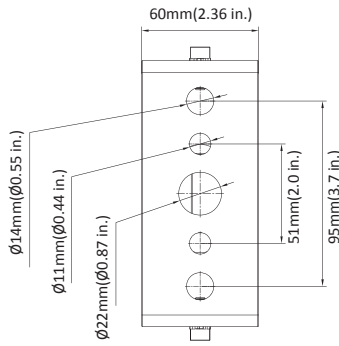
Luminaire EPA

Wattage	Mounting	Tilt Angle							
			1	2 @ 90°	2 @ 120°	2 @ 180°	3 @ 90°	3 @ 120°	4 @ 90°
40/70/100	Extrusion Pole Arm	0°	0.341	0.593	0.798	0.683	0.944	1.05	0.944
150/200		0°	0.423	0.715	0.843	0.846	1.138	1.165	1.338
250/300		0°	0.476	0.789	1.058	0.952	1.265	1.371	1.265
40/70/100	Slipfitter	0°	0.341	0.491	0.702	0.668	0.825	0.913	0.825
		10°	0.341	0.543	0.77	0.669	0.857	1.06	0.854
		20°	0.341	0.737	0.911	0.67	1.079	1.454	1.076
		30°	0.34	0.899	1.05	0.667	1.242	1.786	1.239
		45°	0.34	1.102	1.247	0.668	1.457	2.219	1.454
150/200	Slipfitter	0°	0.488	0.772	1.11	0.974	1.257	1.32	1.262
		10°	0.488	0.853	1.217	0.975	1.305	1.532	1.307
		20°	0.488	1.158	1.44	0.977	1.644	2.102	1.646
		30°	0.487	1.413	1.661	0.972	1.892	2.582	1.896
		45°	0.487	1.733	1.972	0.974	2.22	3.208	2.224
250/300	Slipfitter	0°	0.604	0.888	1.237	1.208	1.489	1.521	1.492
		10°	0.604	1.171	1.541	1.204	1.765	2.1	1.765
		20°	0.604	1.597	1.92	1.202	2.191	2.908	2.195
		30°	0.603	1.996	2.29	1.204	2.591	3.67	2.595
		45°	0.603	2.478	2.776	1.201	3.07	4.651	4.375

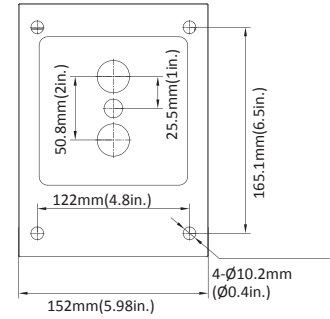
MOUNTING BRACKET AND DRILLING TEMPLATE



Slipfitter suitable for 2-3/8" Tenon

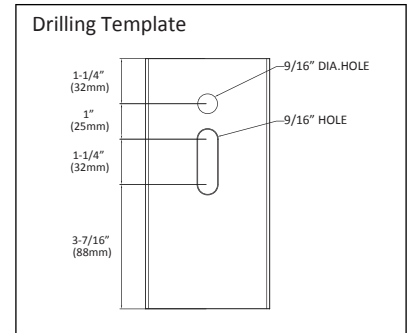
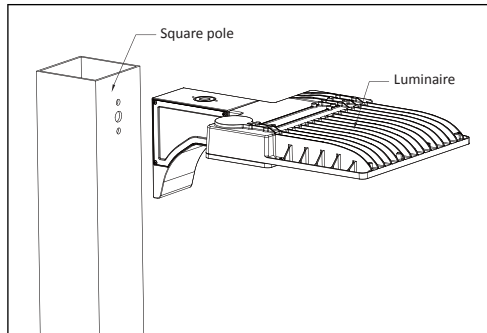
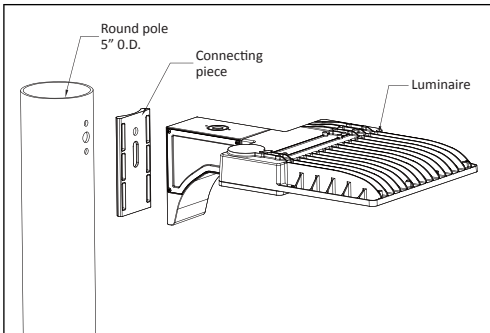


Trunnion mount drilling hole



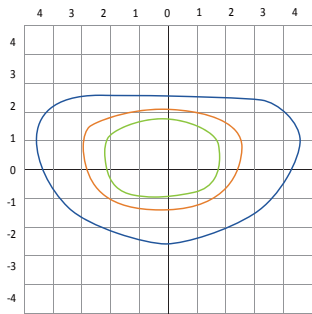
Wall mount drilling template

Extrusion arm drilling template

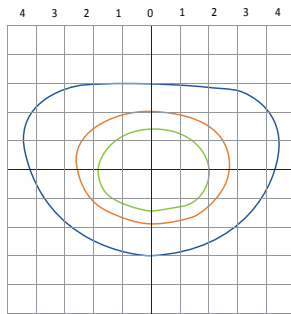


PHOTOMETRIC DIAGRAM

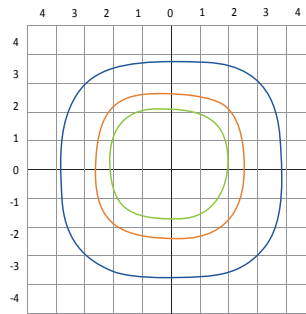
Isofootcandle plots for the RD02041505KDNEXL (150W 5000K). Distances are in units of mounting height (30'). Please download IES files for other products photometric information.



Type III



Type IV



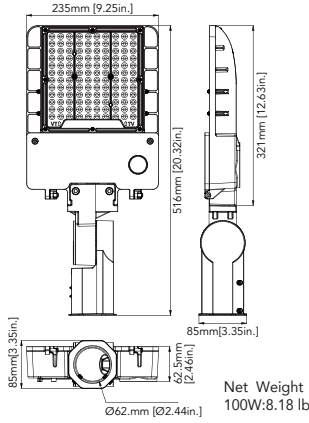
Type V



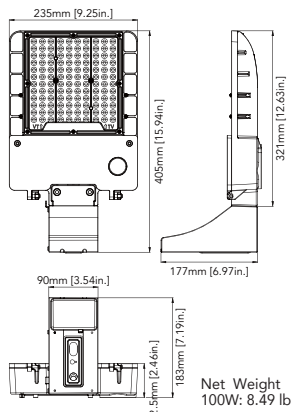
FIXTURE DIMENSIONS AND WEIGHT

unit: inch/mm

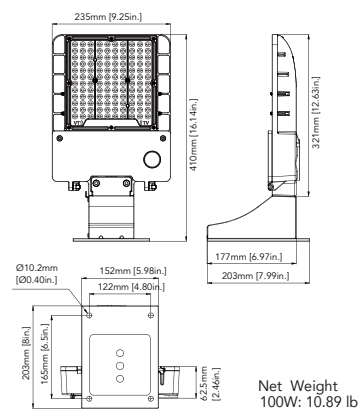
**40W & 70W & 100W
(Slipfitter Mount)**



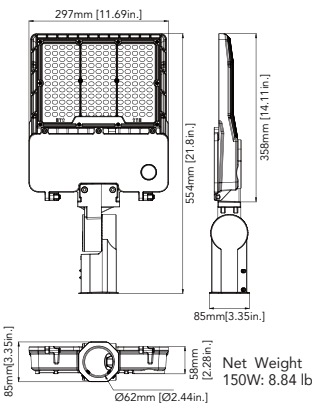
**40W & 70W & 100W
(Pole Mount)**



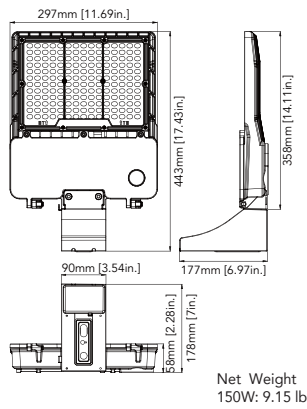
**40W & 70W & 100W
(Wall Mount)**



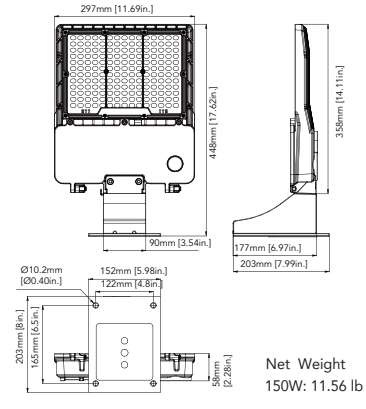
**150W & 200W
(Slipfitter Mount)**



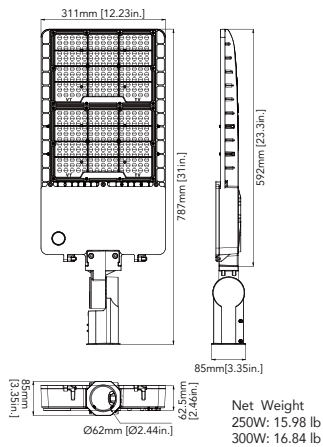
**150W & 200W
(Pole Mount)**



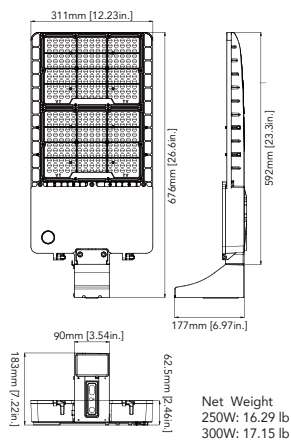
**150W & 200W
(Wall Mount)**



**250W & 300W
(Slipfitter Mount)**



**250W & 300W
(Pole Mount)**



**250W & 300W
(Wall Mount)**

