

LH03 Series

LED LINEAR HIGHBAY

Project Name:	
Catalog Number:	
Notes:	



Product Description:

The Konlite LH03 series Linear High Bay Light is ideal for the new construction or replacement of 4 to 8 lamp F32T8 / F54T5 High Output Fluorescent or 250-1000 watts Metal Halide. Available in 2ft and 4ft lengths.

Delivers top energy savings and maintenance free durability for a wide range of applications. Cost effective and a top quality solution for: Warehouses and storage, Industrial facilities, Retail centers, Manufacturing, Sports facilities and Gyms.

Features:

Construction

Assembly made of heavy duty thick gauge steel, rigidly designed to resist twisting and bowing. White coat finish.

Electrical

Universal 120-277 VAC input voltage.
Standard with 0-10V dimming allowing for 0 to 100% dimming.

Certification

DesignLights Consortium® (DLC) Premium 5.1 qualified product.
Note: Please refer to the DLC website for specific product qualifications at www.designlights.org.

Installation

V-Hook Chain mount included. Knockout holes in place for easy connection with MC cable or conduit. Optional Surface or Pendant Mount Kit.

Controls

Abundance of ½ inch knockout holes allows for field installation control devices such as motion and occupancy sensors.

Optics

Scalable Lumen Packages from 14,700 to 42,000 Lumens. Frosted PC diffuser creates even and glare free light distributed broadly at a 120° beam angle. 5000K CCT is standard, CRI80.

Warranty

>54,000 hours L70 lifespan use, 5 year warranty.

Ordering Information

Example: RKLH03011055KDNCHL

RKLH0301	5K	D	N	L		
Series	Wattage	CCT	Dimming	Other control	Mounting	Voltage
RKLH0301	105=105W 165=165W 225=225W 300=300W	5K=5000K	D=0-10V Dimmable	N=No other control	CH=Chain Mount SM=Surface Mount	L=120-277V



2880 North Berkeley Lake Road NW, Suite 8 Duluth, GA 30096
Toll Free: 877-718-0808 Fax: 770-817-0127 www.konlite.com

For informational purposes only.
Content is subject to change.

Rev. 11/3/23

POWER AND EQUIVALENTS

LH03	Wattage	105W	165W	225W	300W
	Equal	250-300W HID	400W HID	600W HID	1000W HID

ACCESSORIES

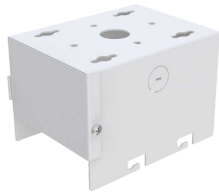
Accessories (Purchased Separately)



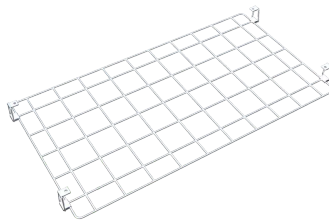
Motion sensor



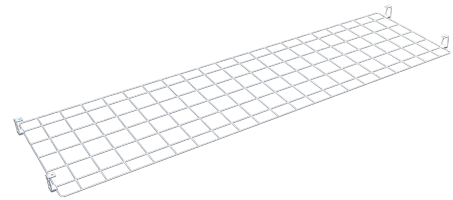
Remote controller



Surface or Pendant Mount Kit



Wire guard (2ft)



Wire guard (4ft)

PERFORMANCE DATA

Photometric Data

Lumen values are based on 277 AC input product configuration, contact for performance data on any configurations not shown here.

PART#	Wattage	Lumens	CCT	Voltage	DIM	Length	Weight	DLC Product ID
RKLH0301105W5KDNCHL	105W	14,700 lm	5000K	120-277V	0-10V	1X2'	11lbs	S-TWLCKD
RKLH0301165W5KDNCHL	165W	23,100 lm	5000K	120-277V	0-10V	1X2'	11lbs	S-YELO3R
RKLH0301225W5KDNCHL	225W	31,500 lm	5000K	120-277V	0-10V	1X4'	16lbs	S-8SOFHM
RKLH0301300W5KDNCHL	300W	42,000 lm	5000K	120-277V	0-10V	1X4'	17.5lbs	S-KC5G7U



2880 North Berkeley Lake Road NW, Suite 8 Duluth, GA 30096
Toll Free: 877-718-0808 Fax: 770-817-0127 www.konlite.com

For informational purposes only.
Content is subject to change.

Rev. 11/3/23

Electrical Data

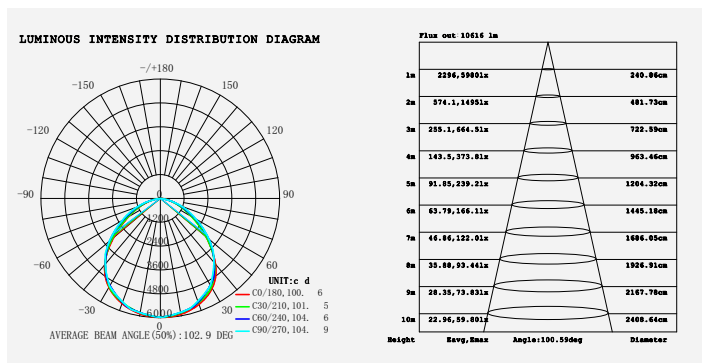
Wattage	AC Input Current (A)			
	120V	208V	240V	277V
105W	0.88	0.50	0.44	0.38
165W	1.38	0.79	0.69	0.60
225W	1.88	1.08	0.94	0.81
300W	2.50	1.44	1.25	1.08

Lumen Maintenance

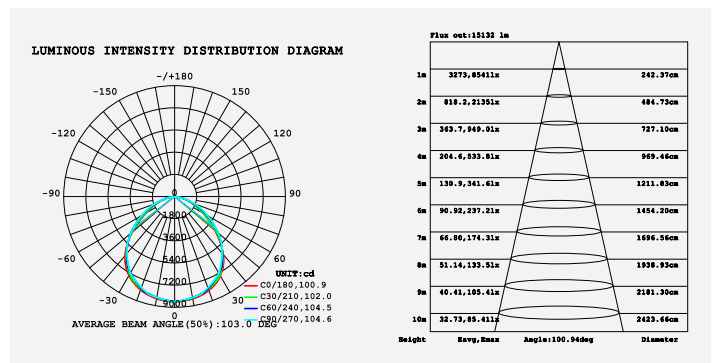
Operating hours	25,000	50,000	75,000	100,000
Lumen Maintenance Factor	>0.95	>0.89	>0.84	>0.79

PHOTOMETRIC DIAGRAM

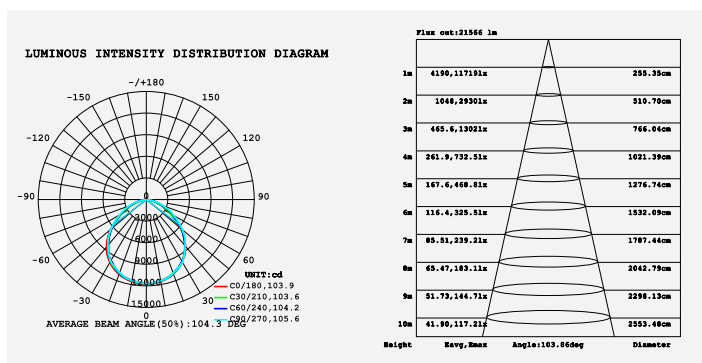
105W 2ft 5000K



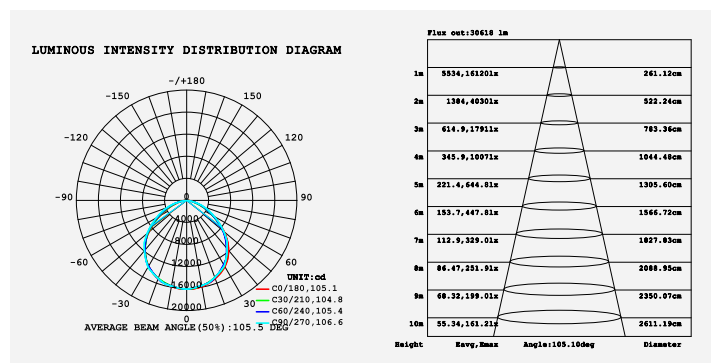
165W 2ft 5000K



225W 4ft 5000K

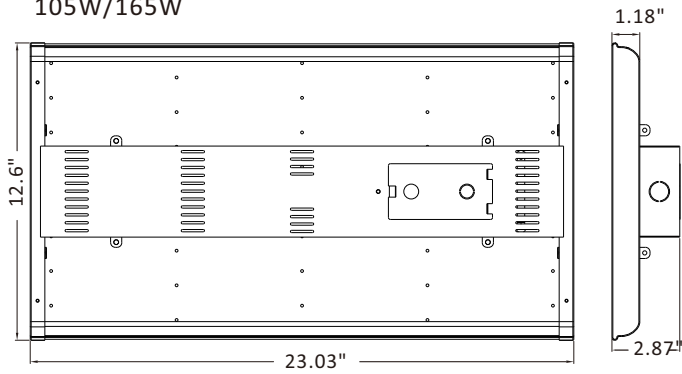


300W 4ft 5000K



FIXTURE DIMENSIONS AND WEIGHT

105W/165W

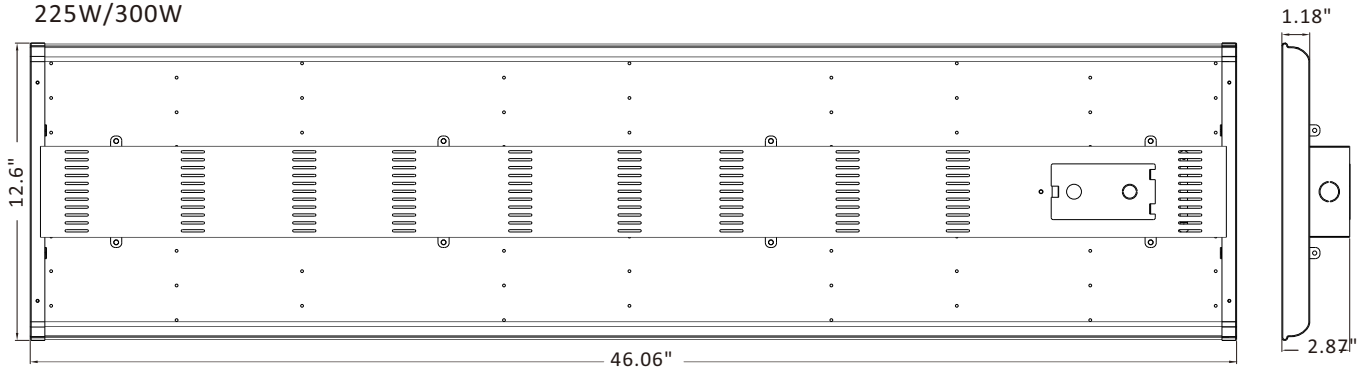


Weight

105W: 11 lbs

165W: 11 lbs

225W/300W



Weight

225W: 16 lbs

300W: 17.5 lbs