

WP05 Series

LED WALL PACK LIGHT

Project Name:	
Catalog Number:	
Notes:	



Product Description:

The Konlite WP05 Series LED Wall Pack is an ideal choice for retrofit or new construction to enhance and improve the perimeter appearance of any commercial building.

This 145 lumen per watt energy efficient unit provides crisp illumination for casting light onto building surfaces, doorways, walkways and outdoor areas while providing security for after dark hours. This unit provides low initial cost, up to 65% energy savings, suitable to one to one replacement or new construction lighting.

Replace 175-500W HID/HPS with 5,800 to 17,400 Lumens.

Features & Specifications:

Construction

Rugged die-casting aluminum housing with bronze powder coating for durability. Integral secondary heat sink to optimize thermal transfer and maximize performance of the LEDs.

Electric

Opera on temperature -30°F to 122°F, Universal 120-277V standard 0-10V dimmable driver. Power factor >0.9 and THD<15%.

4KV Surge Protection

Pre-installed Dusk to Dawn integrated Photocell that is activated by removing Daylight sensing cap.

Certification

ETL listed for outdoor using.

Installation

Wall Mounting with quick mount back plate for easy installation.

Optic

The high output LEDs and custom optics provide excellent light distribution with 145 lumens per watt efficiency. High quality tempered glass diffuser with 110° horizontal wide beam distribution. 5000K, CRI80

Warranty

>50,000 hours L70 lifespan use, 5-year limited warranty.

Ordering Information				Example: PKWP05011205KDPWMLCD				
PKWP0501		5K		P	WM	L	C	D
Series	Wattage	CCT	Wattage Selectable	Photo Control	Mounting	Voltage	Lens	D
PKWP0501	040=40W 060=60W 080=80W 100=100W 120=120W	5K=5000K	S= Wattage Selectable N=Non-Selectable D=Dimmable Driver*	P=Photocell	WM=Wall Mount	L=120-277V	C=Clear Lens	D=Dark Bronze



2880 North Berkeley Lake Road NW, Suite 8 Duluth, GA 30096
Toll Free: 877-718-0808 Fax: 770-817-0127 www.konlite.com

For informational purposes only.
Content is subject to change.

Rev. 28/10/22

POWER SELECTING AND EQUIVALENTS

PKWP0501	Wattage	120W	100W	80W	60W	40W
	Equal	500W MH	400W MH	320W MH	250W MH	175W MH

PERFORMANCE DATA

Photometric Data

Lumen values are based on 277 AC input product configuration, contact for performance data on any configurations not shown here

Wattage	CCT	CRI	Lumens Output	Efficiency
40W	5000K	>80	5,800lm	145lm/w
60W	5000K	>80	8,700lm	145lm/w
80W	5000K	>80	11,600lm	145lm/w
100W	5000K	>80	14,500lm	145lm/w
120W	5000K	>80	17,400lm	145lm/w

Electrical Data

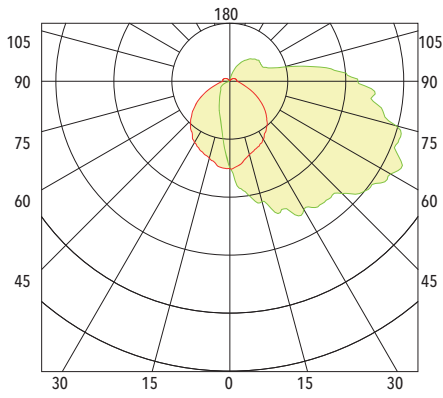
Wattage	AC Input Current (A)			
	120V	208V	240V	277V
40W	0.33	0.19	0.17	0.14
60W	0.50	0.29	0.25	0.22
80W	0.67	0.38	0.33	0.29
100W	0.83	0.48	0.42	0.36
120W	1.00	0.58	0.50	0.43

Lumen Maintenance

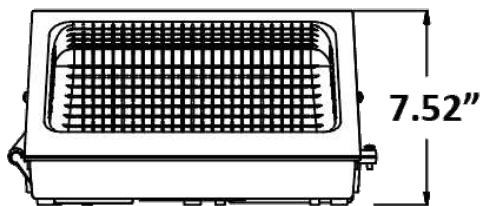
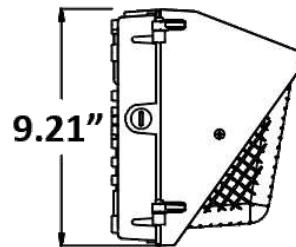
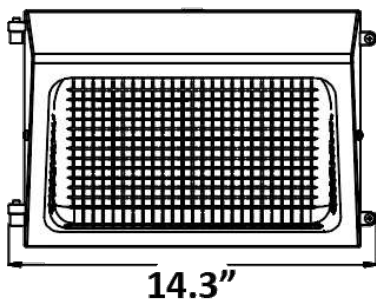
Operating hours	25,000	50,000	75,000	100,000
Lumen Maintenance Factor	>0.95	>0.89	>0.84	>0.79



PHOTOMETRIC DIAGRAM



FIXTURE DIMENSIONS AND WEIGHT



Net Weight: 10lbs (40W & 60W), 12lbs(80W & 100W & 120W)