

# GKT15 Series – Wattage & CCT Selectable

## Vapor Proof LED Fixture

Project Name:	
Catalog Number:	
Notes:	



CCT Selectable: 3000K/4000K/5000K

Watt Selectable: 15W/20W/30W

### Product Description:

The Konlite GKT15 series Vapor Proof LED Fixture is both wattage selectable and CCT selectable, covering 27 different SKUs in one light and replaces up to 150W MH. With uniform Light distribution and an excellent LED lumen maintenance rating, this energy efficiency light is made to last. Unlike the traditional fixture, this light was designed with an adjustable angle all the while retaining its classic design. The GKT15 Series Vapor Proof LED Fixture saves your money in more way than one by lowering both shipping and material costs and saving you money over time compared to traditional metal halides. Offering an optional photocell, this is the ideal choice to meet any daily wall-mounted lighting applications.

### Applications:

Outdoor applications including entryways, covered walkways, retail applications, warehouses, stockrooms, and utility areas.

### Features & Specifications:

#### Construction

Die-cast aluminum housing secures the thermally conductive LED panel and electrical chamber.

Casting thermally conducts LED heat to optimize performance and long life.

#### Electric

120-277 VAC input voltage.

Power factor >90%, THD <20%.

Operating Temperature Range: -40°C to 45°C (-40 F° - + 113 F°).

#### Certification

UL Listed, suitable for wet locations

Design Lights Consortium® (DLC) standard 5.1 qualified product

Note: Please refer to the DLC website for specific product qualifications at [www.designlights.org](http://www.designlights.org)

#### Installation

Konlite GKT15 series Vapor proof LED fixture can be mounted on the wall and ceiling by Junction Box Mounting or Conduit Mounting.

#### Optics

3 selectable CCTs are available in the standard 3000K/4000K/5000K selectable and has a CRI of 80.

3 selectable wattages allow for lumen selection from 1,500 to a max. of 3,300Lm.

The Anti-UV prismatic translucent lens is designed to shape the light distribution and uniformity.

#### Warranty

5-year limited warranty

Ordering Information					Example: GKT15-30W-10
Series	Wattage	CCT	Voltage	Finish	Control
GKT15	LMW=30W/20W/15W Example: GKT15-30W-10 (30W default setting)	MC=3000K/4000K/5000K (5000K default setting)	LV=120-277V	G - Gray Housing O - Marigold Orange Housing	PC - Photocell

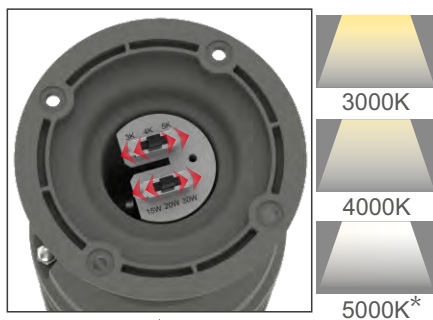


2880 North Berkeley Lake Road NW, Suite 8 Duluth, GA 30096  
Toll Free: 877-718-0808 Fax: 770-817-0127 [www.revolveled.com](http://www.revolveled.com)

For informational purposes only.  
Content is subject to change.

Rev. 03/06/23

## POWER SELECTING AND EQUIVALENTS

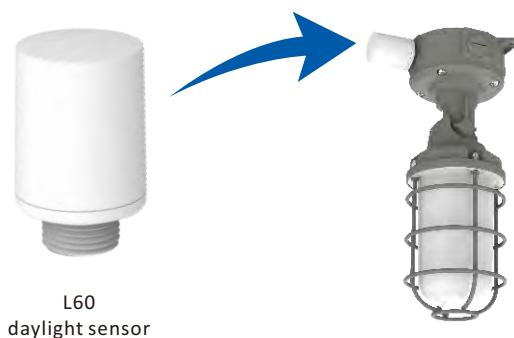


CCT Selectable: 3000K/4000K/5000K  
Watt Selectable: 15W/20W/30W

GKT15			
Wattage	30W*	20W	15W
Equal	150W MH	100W MH	75W MH

\*Default setting for each size wattage

## ACCESSORIES



L60  
daylight sensor

## PERFORMANCE DATA

### Photometric Data

Lumen values are based on 277 AC input product configuration, contact for performance data on any configurations not shown here

SYSTEM WATTS	VOLTAGE	CRI	LUMENS (3000K)	LPW (3000K)	LUMENS (4000K)	LPW (4000K)	LUMENS (5000K)	LPW (5000K)
15W	120-277VAC	80	1,545lm	103lm/w	1,740lm	116lm/w	1,590lm	106lm/w
20W	120-277VAC	80	2,060lm	103lm/w	2,320lm	116lm/w	2,120lm	106lm/w
30W	120-277VAC	80	3,090lm	103lm/w	3,480lm	116lm/w	3,180lm	106lm/w

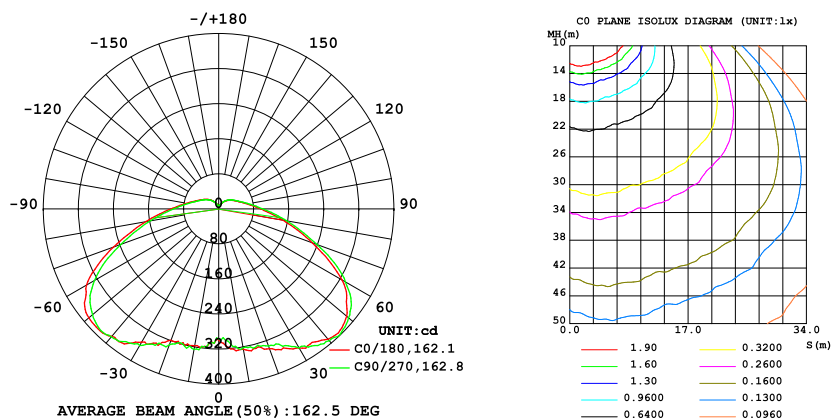
## Electrical Data

Wattage	AC Input Current ( A )			
	120V	208V	240V	277V
15W	0.13	0.07	0.06	0.05
20W	0.17	0.10	0.08	0.07
30W	0.25	0.14	0.13	0.11

## Lumen Maintenance

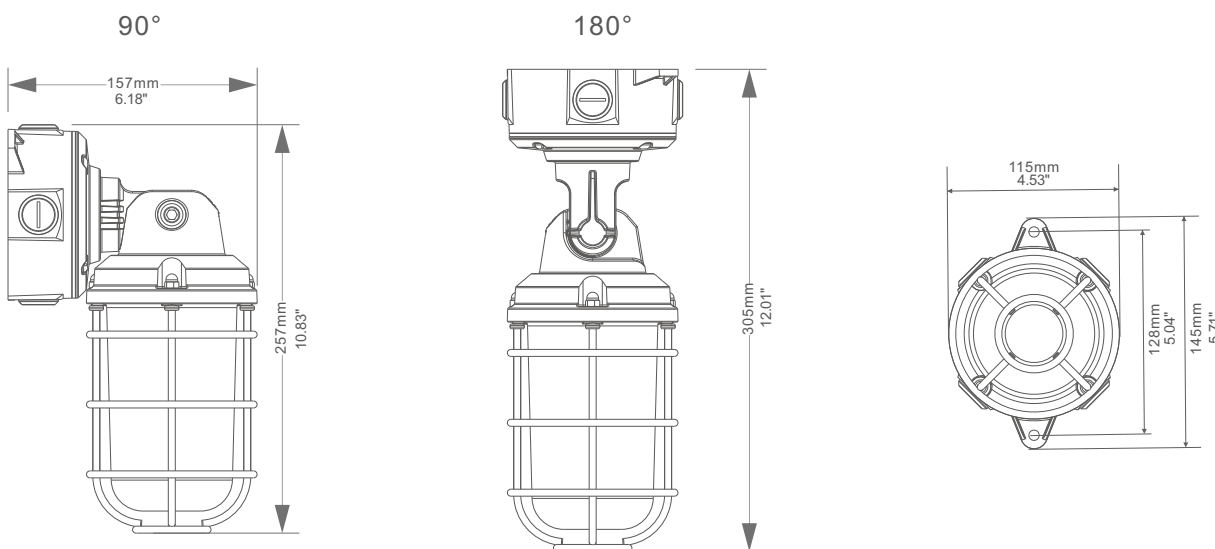
Operating hours	25,000	50,000	75,000	100,000
Lumen Maintenance Factor	>0.95	>0.89	>0.84	>0.79

## PHOTOMETRIC DIAGRAM



## FIXTURE DIMENSIONS AND WEIGHT

unit:inch/mm



2880 North Berkeley Lake Road NW, Suite 8 Duluth, GA 30096  
 Toll Free: 877-718-0808 Fax: 770-817-0127 www.revolved.com

For informational purposes only.  
 Content is subject to change.

Rev. 03/06/23