



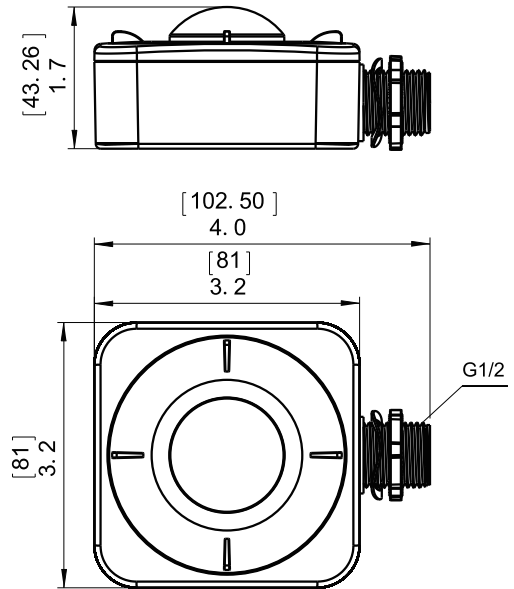
BRI819P-B-O



L1 (Low Bay)
105W and Below



L2 (High Bay)
Above 105W



OVERVIEW

The ON/OFF PIR Motion Sensor (BRI819P-B-O) offers a range of features to save both money and energy. This sensor goes beyond detecting for just movement as the PIR technology detects for radiating heat. It is the perfect, customizable choice for multiple applications and is easy to install. It offers an adjustable detection range, hold time, and daylight sensor and is equipped with 1 of 2 optimal choice lenses for varying mounting heights.

SPECIFICATIONS

Power supply	120/277VAC 50/60Hz
Maximum load @ -40°F ~ +167°F (-40°C ~ +75°C)	Resistive/Tungsten - 600W@120V Electronic Ballast - 800W@120V/1200W@277V
Lens L1	30ft@25ft height/360
Lens L2	30ft@40ft height/360
Time setting	10sec.-30min.(adjustable)
Light-control	10-300Lux(adjustable)
Humidity	Max. 95% RH
Temperature	-40°F ~ +167°F (-40°C ~ +75°C)

NOTE

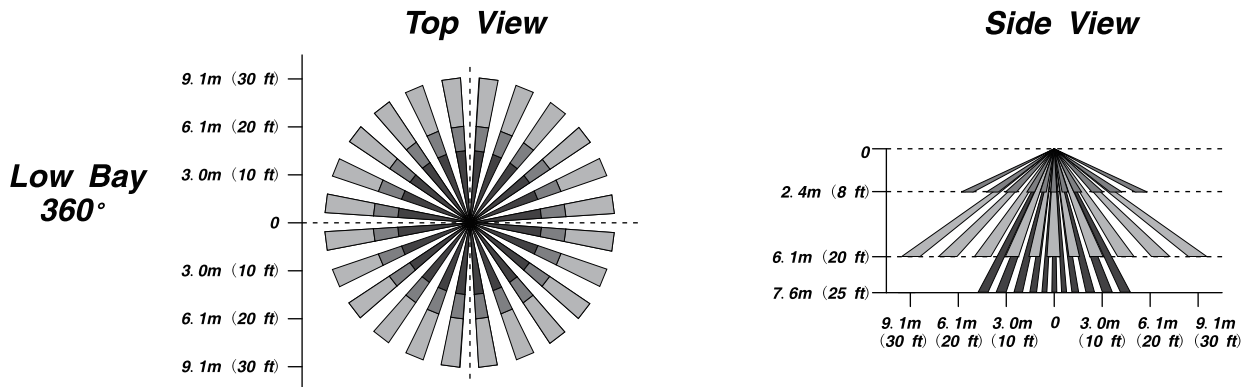
NOTE: The warm up time is 40 seconds; after the sensor connects to the input power for the first time, the light will stay on for 40 seconds to warm up and operate normally thereafter.

NOTE: Factory Default Settings: 100% Sensitivity, Hold Time: 10 Seconds, & Daylight Sensor Disabled

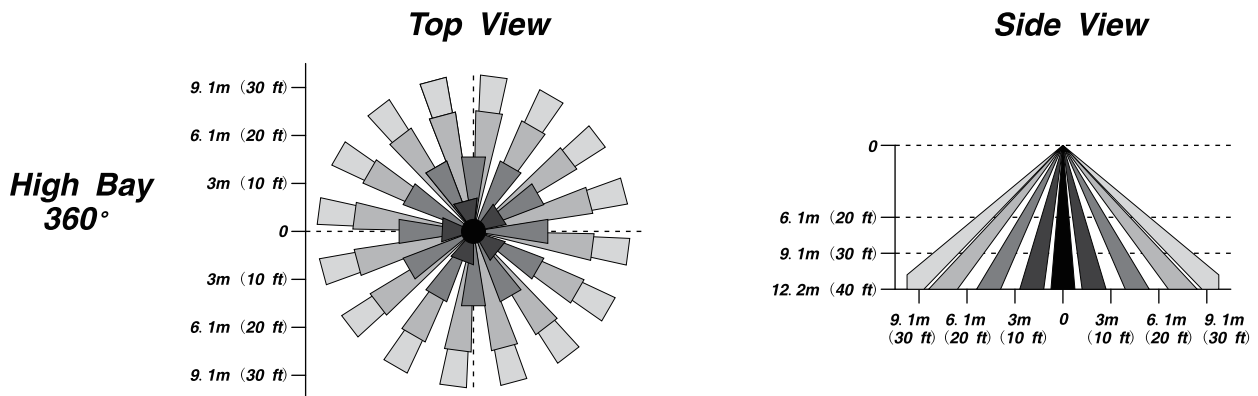


SENSOR INFORMATION

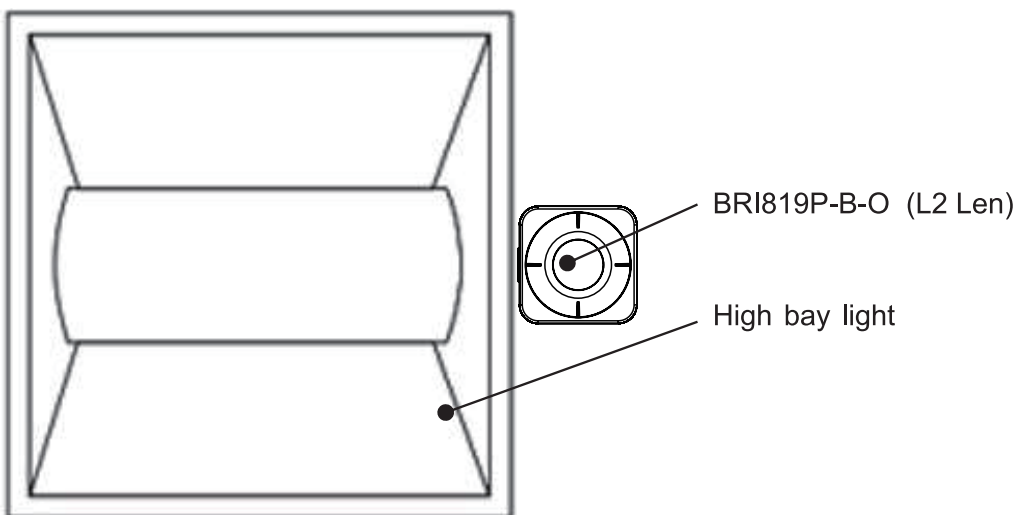
L1 Lens



L2 Lens

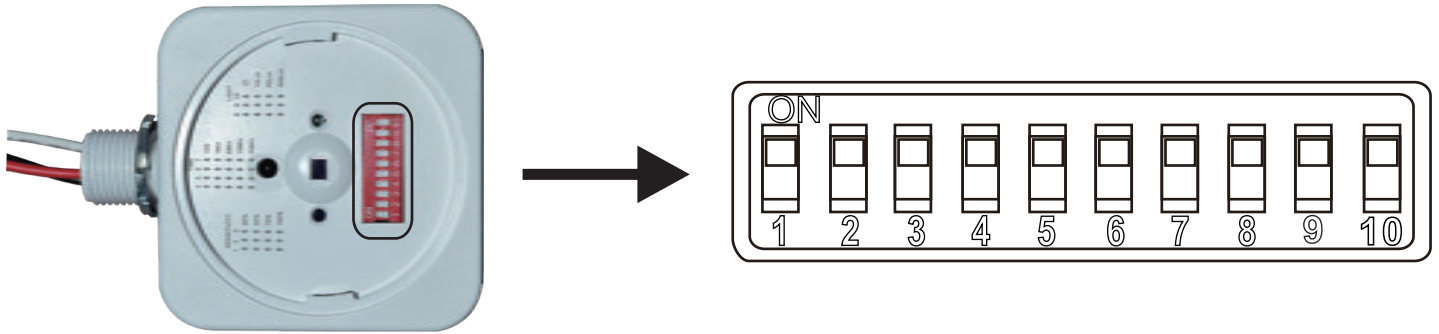


BRI819P-B-O MOUNTED TO LINEAR HIGH BAY LIGHT



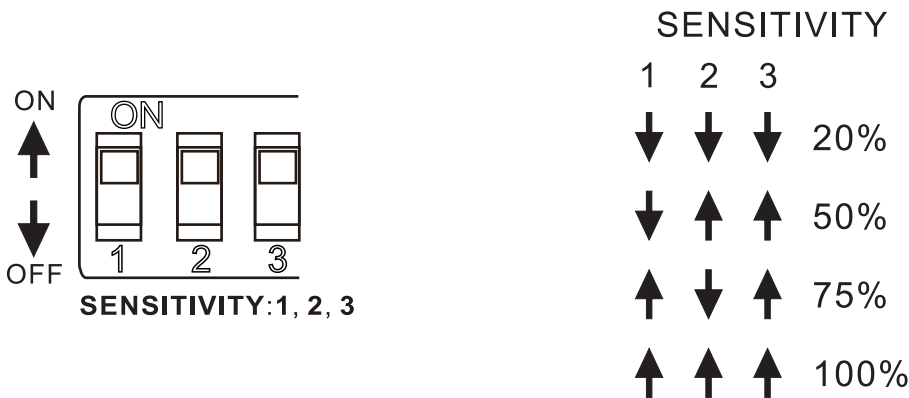
DIP SWITCH SETTINGS

To access the DIP switch settings, twist the motion sensor lens counter clockwise and remove. Underneath will be 10 DIP switches (as shown below).



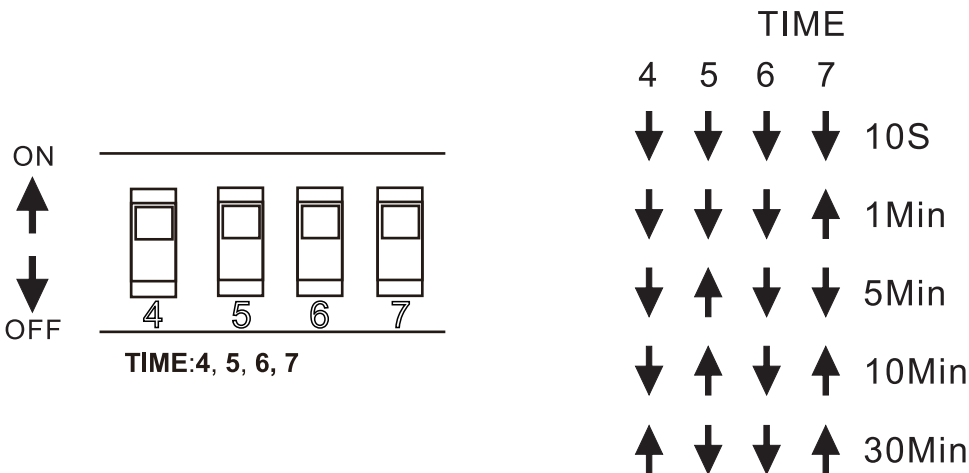
DETECTION RANGE SETTING (SENSITIVITY)

The detection range can be adjusted using DIP switches 1, 2, & 3 as shown below:



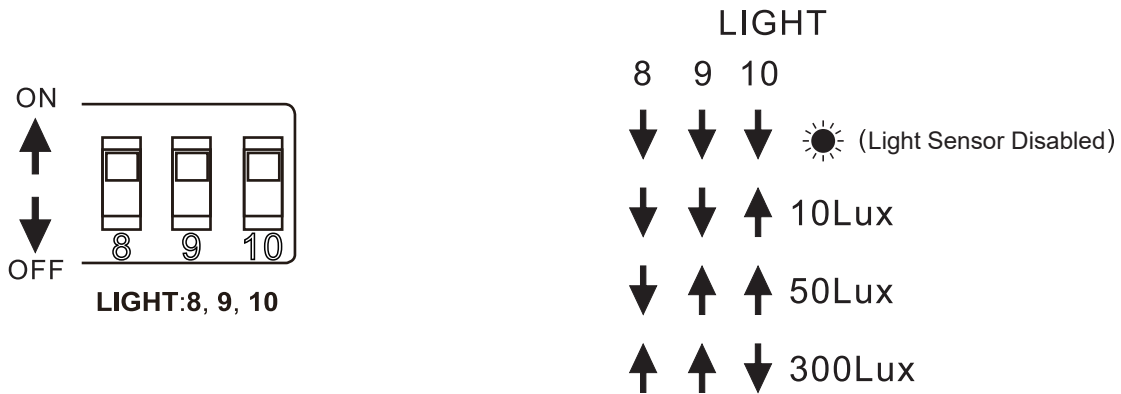
HOLD TIME SETTING

The Hold Time is the duration a light is set to stay on after detecting no movement. After the Hold Time has passed without any detected motion, the light will turn off until movement is detected again. This setting can be adjusted using DIP switches 4, 5, 6, & 7 as shown below:

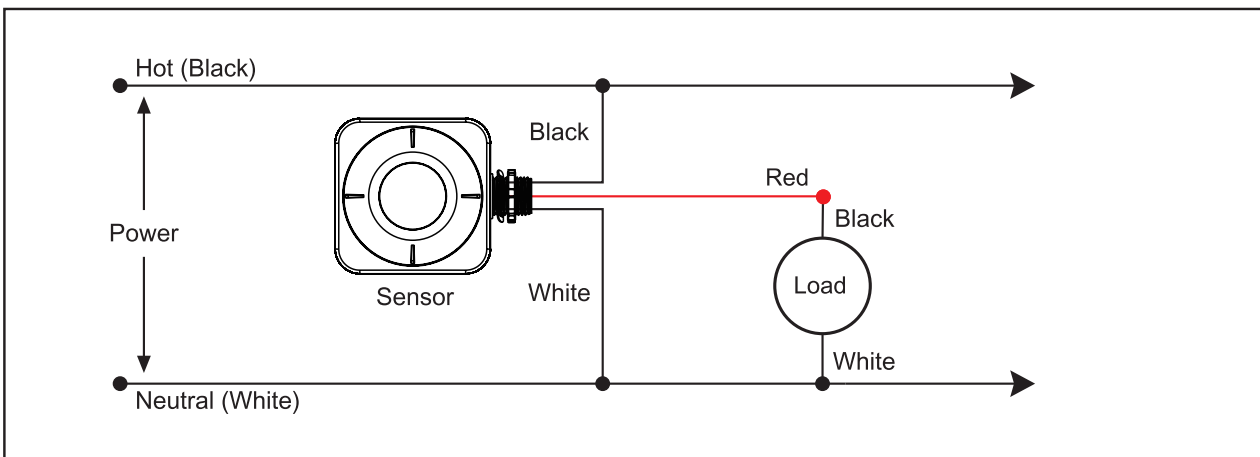


DAYLIGHT SENSOR SETTING

ONLY use this feature if there is natural lighting near the mounting location. If another light source is bright enough for the space, the Daylight Sensor will detect the ambient lighting and will prevent the light from turning on even if motion is detected. To set the threshold of what is considered not bright enough for your space, you can adjust this setting by using DIP switches 5 & 6 as shown below. Example: If you set the Daylight Sensor to 10 Lux, if the ambient lighting in your space falls below 10 lux AND motion is detected, the light will turn on.



WIRING DIAGRAM



TROUBLESHOOTING

- The load doesn't work:
 - a. Check that the power and load requirements are correct
 - b. Check if the load is good.
 - c. Check if the working light corresponds to the ambient light.

- The sensitivity is poor:
 - a. Check if there is anything in front of the lens that may obstruct the sensor's field of vision.
 - b. Check if the ambient temperature is too high.
 - c. Check if the signal source is within the detection range.
 - d. Check if the installation height corresponds to the recommended mounting heights on page 2.
 - e. Check the placement of the sensor in relation to the general movement flow of your space.

- The sensor can't shut the load automatically:
 - a. Check if there are continual signals in the field of detection.
 - b. Test the sensor by switching the Hold Time to 10 seconds.
 - c. Check if the power corresponds to the instruction.
 - d. Check if there is any temperature change near the sensor.

