

ASSEMBLY INSTRUCTIONS FOR THE 15503 UPTOWN CONVERTIBLE CRIB



READ ALL INSTRUCTIONS BEFORE ASSEMBLING THE CRIB. KEEP THE INSTRUCTION BOOKLET FOR FURTHER USE.

NEVER USE THE PLASTIC SHIPPING BAGS OR OTHER PLASTIC FILM AS MATTRESS COVERS, AS THEY CAN CAUSE SUFFOCATION.

MAKE SURE TO SELECT THE CORRECT SIZE MATTRESS. INFANTS CAN SUFFOCATE IN THE GAPS BETWEEN THE CRIB SIDES AND A MATTRESS THAT IS TOO SMALL.

WARNING: THE PROPER USE OF THIS CRIB IS IMPORTANT FOR YOUR BABY'S SAFETY. IN ORDER TO KEEP YOU BABY SAFE AND SECURE, AS WELL AS AVOID POTENTIAL INJURY OR DEATH, PLEASE READ AND BECOME FAMILIAR WITH ALL THE WARNINGS, CAUTIONS AND INSTRUCTIONS IN THIS BOOKLET. KEEP THIS INSTRUCTION BOOKLET FOR FURTHER USE.

DO NOT THROW THIS BOOKLET AWAY!

THIS CRIB CONFORMS TO APPLICABLE REGULATIONS PROMULGATED BY THE CONSUMER PRODUCT SAFETY COMMISSION AND BY THE AMERICAN SOCIETY FOR TESTING AND MATERIALS.



4300 Northlake Ct, Ste E, Charlotte,
NC 28216

Phone: 980-585-1460
www.rominafurniture.com

⚠️ WARNING! INFANTS CAN SUFFOCATE ON SOFT BEDDING. NEVER ADD A PILLOW OR COMFORTER. NEVER PLACE ADDITIONAL PADDING UNDER AN INFANT. FAILURE TO FOLLOW THESE WARNINGS AND ASSEMBLY INSTRUCTIONS COULD RESULT IN SERIOUS INJURIES OR DEATH.

CAUTION: ANY MATTRESS USED IN THIS CRIB SHALL BE AT LEAST 27 ¹/₄ BY 51 ⁵/₈ IN. WITH A THICKNESS NOT EXCEEDING 6 IN.

- TO REDUCE THE RISK OF SIDS, PEDIATRICIANS RECOMMEND HEALTHY INFANTS BE PLACED ON THEIR BACKS TO SLEEP, UNLESS OTHERWISE ADVISED BY YOUR PHYSICIAN.

STRANGULATION HAZARD:

- STRINGS CAN CAUSE STRANGULATION! **DO NOT** PLACE ITEMS WITH A STRING AROUND A CHILD'S NECK, SUCH AS HOOD STRINGS OR PACIFIER CORDS. **DO NOT** SUSPEND STRINGS OVER A CRIB OR ATTACH STRINGS TO TOYS.

- TO HELP PREVENT STRANGULATION, TIGHTEN ALL FASTENERS. A CHILD CAN TRAP PARTS OF THE BODY OR CLOTHING ON LOOSE FASTENERS.

- **DO NOT** PLACE CRIB NEAR WINDOW WHERE CORDS FROM BLINDS OR DRAPES MAY STRANGLE A CHILD.

FALL HAZARD:

- WHEN CHILD IS ABLE TO PULL TO A STANDING POSITION, SET MATTRESS TO LOWEST POSITION AND REMOVE BUMPER PADS, LARGE TOYS AND OTHER OBJECTS THAT COULD SERVE AS STEPS FOR CLIMBING OUT.

- STOP USING CRIB WHEN CHILD BEGINS TO CLIMB OUT OR REACHES THE HEIGHT OF 35 IN. (89 CM).

- CHECK THIS PRODUCT FOR DAMAGED HARDWARE, LOOSE JOINTS, LOOSE BOLTS OR OTHER FASTENERS, MISSING PARTS, OR SHARP EDGES BEFORE AND AFTER ASSEMBLY AND FREQUENTLY DURING USE. SECURELY TIGHTEN LOOSE BOLTS AND OTHER FASTENERS. **DO NOT** USE CRIB IF ANY PARTS ARE MISSING, DAMAGED OR BROKEN. CONTACT **ROMINA FURNITURE** FOR REPLACEMENT PARTS AND INSTRUCTIONAL LITERATURE IF NEEDED. **DO NOT** SUBSTITUTE PARTS.

- IF REFINISHING, USE A NON-TOXIC FINISH SPECIFIED FOR CHILDREN'S PRODUCTS.

- FOLLOW WARNINGS ON ALL PRODUCTS IN A CRIB.

- READ ALL INSTRUCTIONS BEFORE ASSEMBLING CRIB. **KEEP INSTRUCTIONS FOR FUTURE USE.** A STORAGE POUCH & 2 PLASTIC TIES HAVE BEEN PROVIDED IN THE HARDWARE BAG. ATTACH POUCH TO MATTRESS SUPPORT WITH PLASTIC TIES AND STORE THE INSTRUCTIONS THERE.

- **NEVER** USE PLASTIC SHIPPING BAGS OR OTHER PLASTIC FILM AS MATTRESS COVERS BECAUSE THEY CAN CAUSE SUFFOCATION.

- INFANTS CAN SUFFOCATE IN GAPS BETWEEN CRIB SIDES AND A MATTRESS THAT IS TOO SMALL.

- **DO NOT** USE A WATER MATTRESS WITH THIS CRIB.

- BEFORE USING THIS CRIB, RE-CHECK ALL SCREWS AND BOLTS TO BE SURE THEY ARE FASTENED SECURELY. A PERIODIC CHECK SHOULD BE MADE TO BE SURE THESE ITEMS REMAIN TIGHT.

- TO AVOID HEAD INJURY, **DO NOT** ALLOW ANY CHILD TO PLAY UNDERNEATH CRIB.

GENERAL FURNITURE CARE TIPS

- Wood, like any natural material is likely to present variations of grain and texture which will result in slight color variations or richness in the finish. These differences make each Romina Furniture item as beautiful and unique as you and your baby are.
- To preserve the initial appearance and functionality of your furniture, it is recommended that all furniture items be used in accordance with their intended design.
- Special water-based finishes are used to make this furniture safe for your baby. These finishes may be more delicate than those used on adult furniture thus requiring careful maintenance.
- Constant rubbing or mechanical interaction with sharp/hard objects such as belt buckles, jeans' zippers or buttons will likely damage the finish on your furniture. When placing or retrieving items onto the furniture, always set them down and pick them up, do not "slide" them. Items placed onto the horizontal surfaces must be moved/rotated to prevent discoloration in the finish.
- Exposure to extreme variations of environmental conditions such as humidity and temperature can affect the finish quality due to wood sudden expansion or shrinkage. It is recommended that the room temperature be maintained in between 65 and 75 degrees Fahrenheit and a relative humidity of 35 – 40 %. Do not place items which are too hot or too cold directly onto the finished surfaces!
- Use caution when using a humidifier or vaporizer. Excessive moisture is harmful to the furniture causing the finish to peel and the wood to warp.
- Wipe up spills promptly. If water or other liquids stay in contact with the furniture for a long period of time, they can cause the finish to turn white or discolor. Alcohol or solvent containing substances or materials will permanently damage the finish.
- In general, furniture should not be placed in front or too close to air-conditioning outlets, fireplaces, heaters or humidifiers. Direct sunlight and ultraviolet rays will cause colors to fade, affect the luster and smoothness of the finish and in most cases may cause hairline cracks in the finish. White finishes will yellow naturally over time; exposure to direct sunlight will accelerate this natural process. Please note that all wood essences will darken over time along with the natural aging process which is not considered to be a quality defect.
- To clean the furniture, use a damp cloth immediately followed by wiping with a dry cloth. Do not allow water to stay in contact with the finish as it will damage the finish.
- If you need to put your furniture into storage for any period of time, avoid placing it in damp basements or hot attics. Air flow around and under the furniture should be allowed. Do not place furniture too close to walls, do not stack anything on it and do not cover it entirely.
- When using a vinyl changing pad or similar plastic accessories, make sure to use a fabric felt underneath. Certain plastics have ingredients that can react with and damage the finish. It is recommended to rotate the changing pad's position frequently to avoid finish discoloration.

BOX CONTENT

15503

NOTE: THE STYLE OF YOUR CRIB, METALLIC BRACKETS OR MATTRESS SUPPORT MAY VARY FROM WHAT IS PICTURED IN THE INSTRUCTION SHEET.

Please locate and confirm that you have the following parts:

HB. footboard = 1
FB. headboard = 1
MP. metallic plate = 4
DL. decorative legs = 2

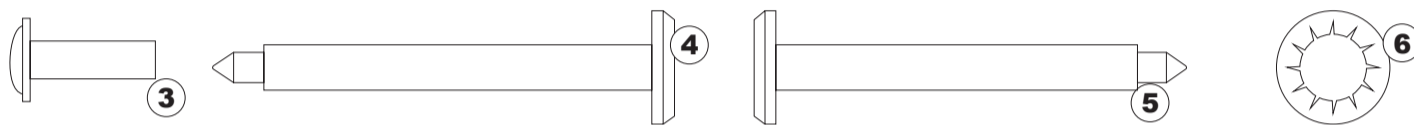
MS. mattress support = 1
LP. left panel = 1
RP. right panel = 1

NOTE: The letters by which a part can be identified represent the initials of the specific part's name (this method is used in order to facilitate parts recognition between the drawings and the parts list).

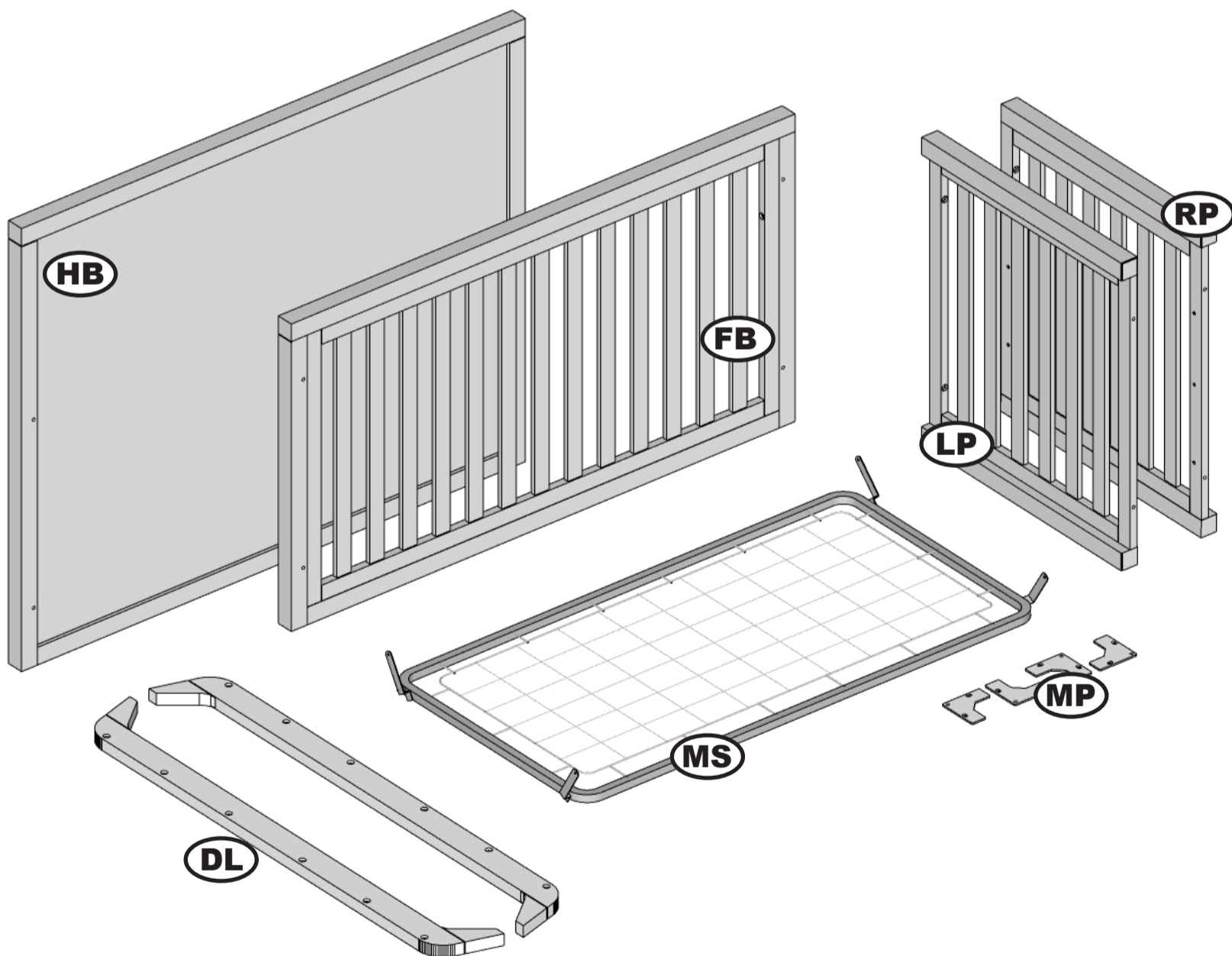
A bag of hardware containing the following accessories:

1. Allen wrench = 1
 2. A storage pouch = 1
 3. Allen bolt (16mm - 0 2/3") = 16

4. Allen bolt (40mm - 1 1/2") = 12
 5. Allen bolt (50mm - 2") = 8
 6. "Internal star" lock washer = 36



NOTE: Phillips screwdriver not included!



NOTE: The item number of your product is located on the inner side of the left panel, on a black and white label. Please refer to this number in the event of needing to contact ROMINA FURNITURE or your local supplier.

NOTE: During the assembly process, whenever using screws or bolts, check by using a measuring instrument for each of them, in order to identify the correct one. Be sure to use the proper size and shape specified in the instructions. Be sure to **COMPLETELY TIGHTEN** the screws and bolts when told to do so.

STEP 1 (One adult is required in order to complete this step)

Take the the mattress support (**MS**) of your crib and position it in order for the springs og the mesh to face upwards and for the metallic pins positioned nearby the metallic brackets to face downwards. (please see **FIGURE 1A**).

The proper orientation of the mattress support is very important for the correct assembly and usage of the crib.

Rotate all the metallic brackets until the are stopped by the metallic pins (**FIGURE 1B**).

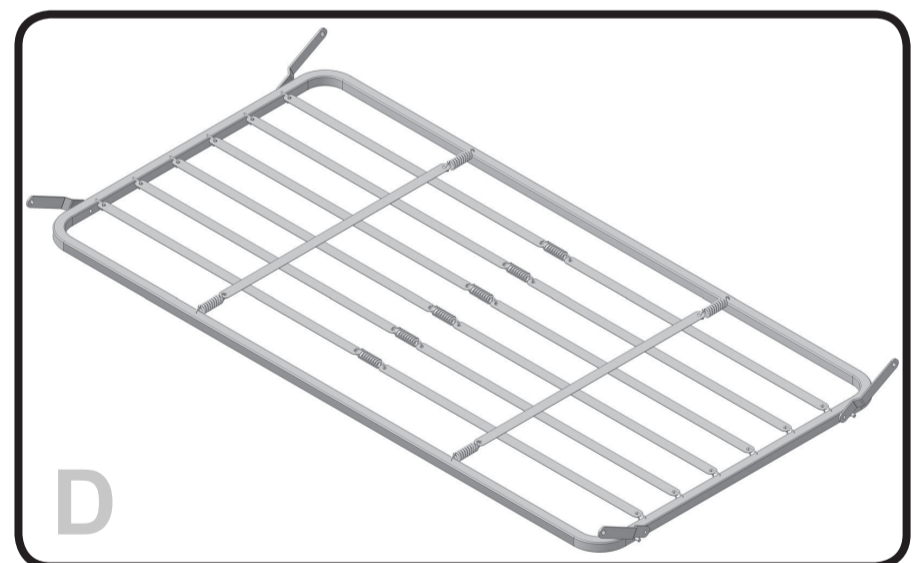
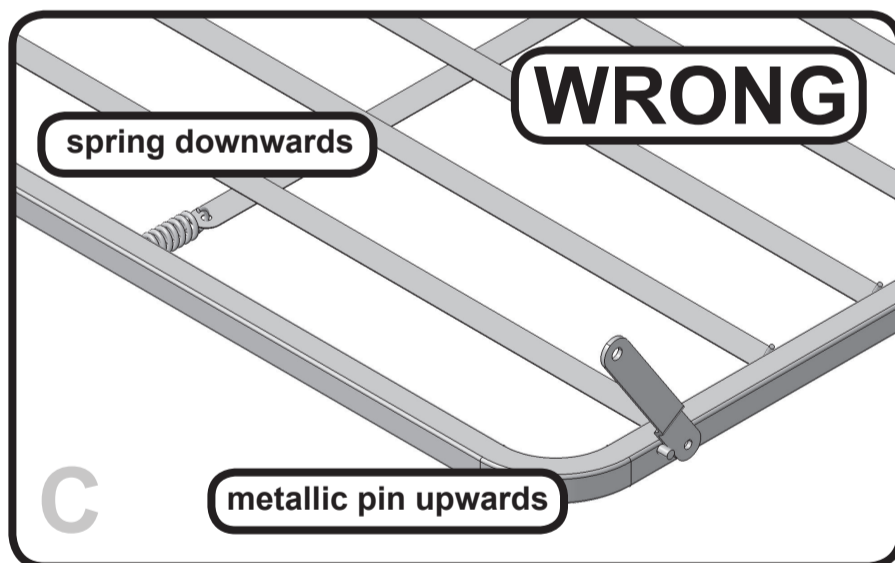
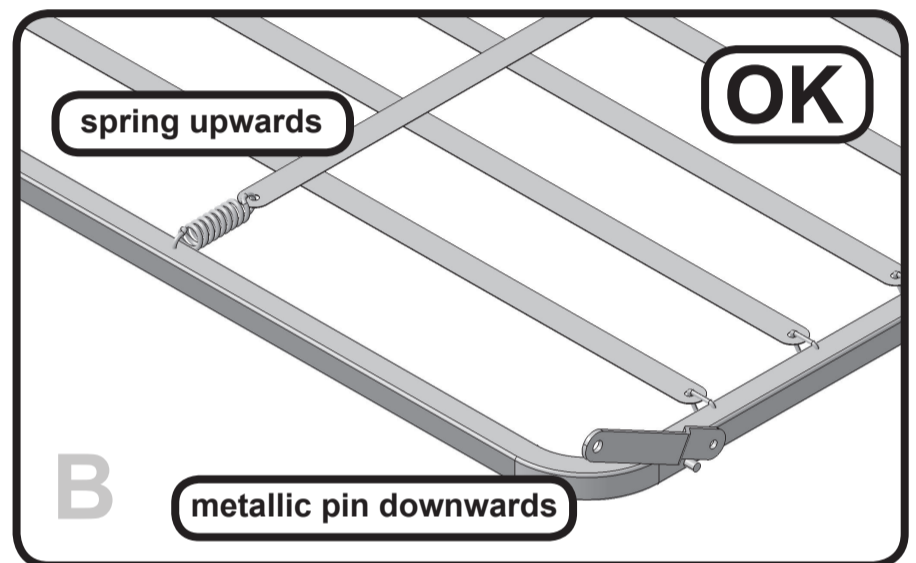
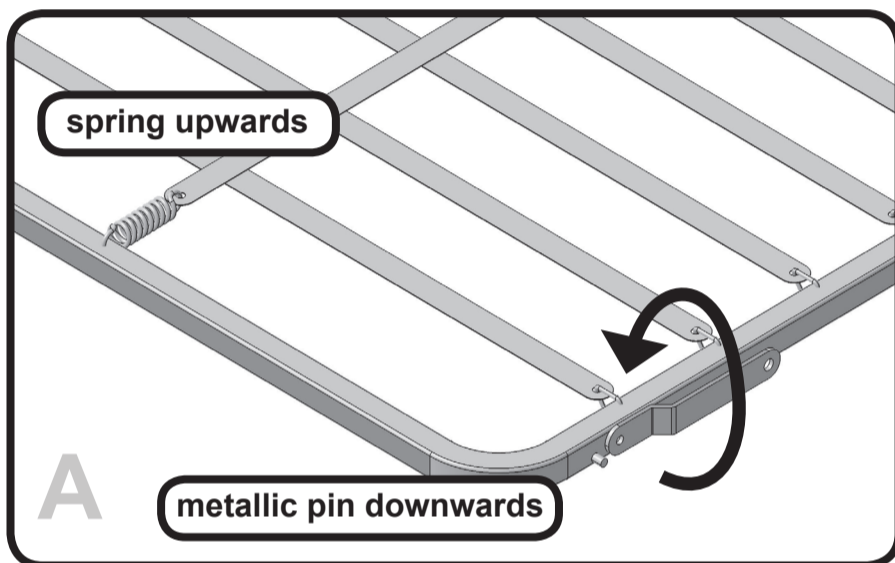
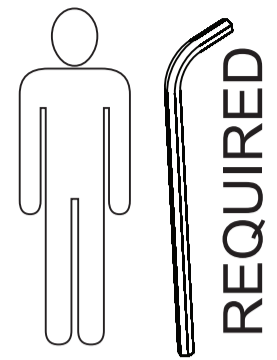


FIGURE 1

NOTE: THE STYLE OF YOUR CRIB, METALLIC BRACKETS OR MATTRESS SUPPORT MAY VARY FROM WHAT IS PICTURED IN THE INSTRUCTION SHEET.

STEP 2 (Two adults are required in order to complete this step)

Attach the mattress support (**MS**) to the left and right panels (**LP & RP**) using 4 Allen bolts (**3**), 4 washers (**6**) and the Allen key provided. Make sure you insert the washer in between the bolt and the predrilled holes. During the installation process, using a soft surface is recommended, in order not to scratch the finish of the crib.

Do not completely tighten the bolts at this step, you will be asked to do so further along the assembly process.

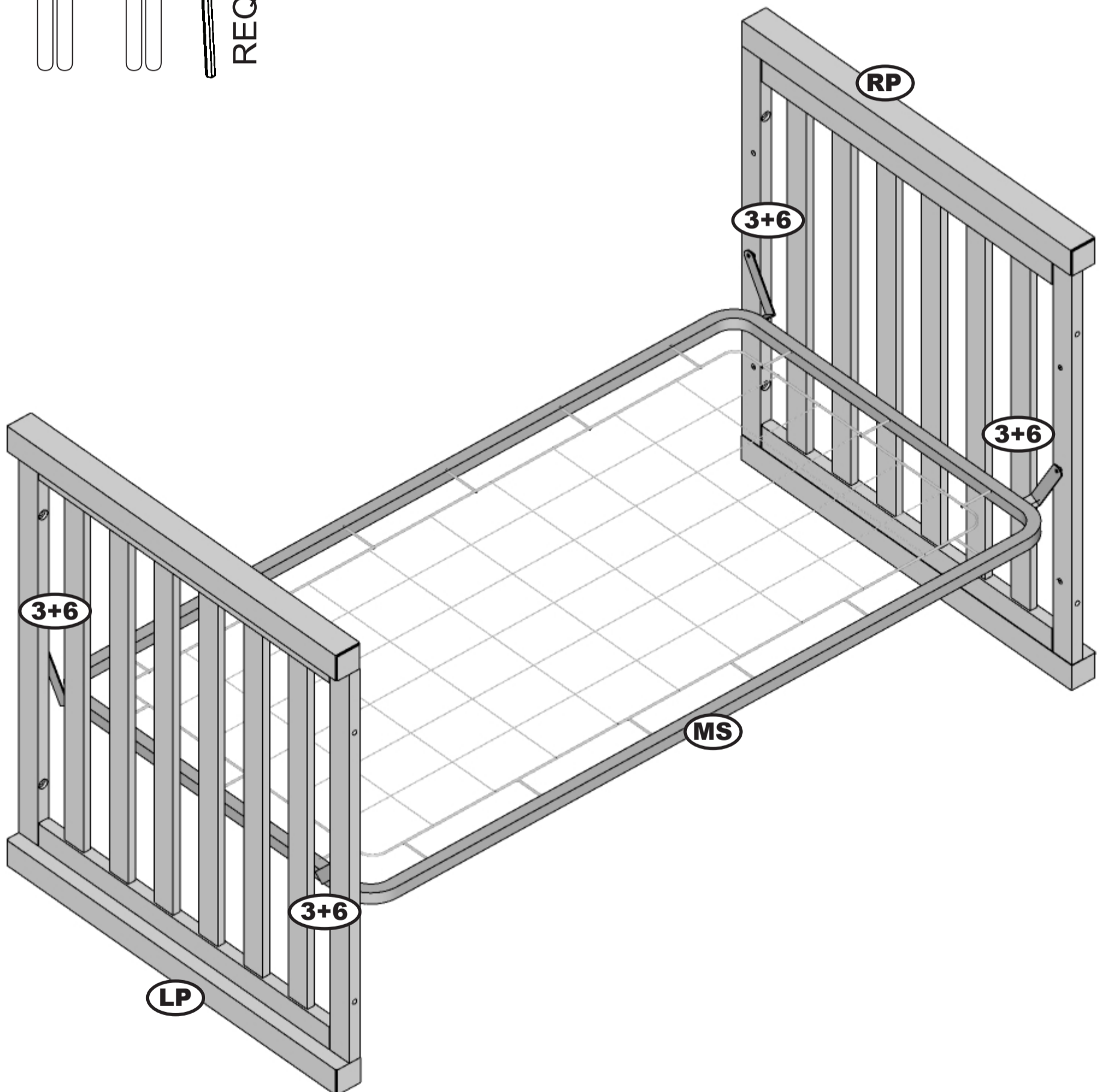
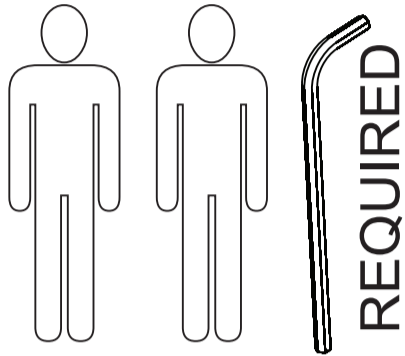


FIGURE 2

STEP 3 (One adult is required in order to complete this step)

Carefully place the headboard (**HB**) and footboard (**FB**) horizontally on the floor, while making sure not to scratch their finish.

By using 12 Allen bolts (**4**) and 12 washers (**6**) (6 Allen bolts and washers per leg), attach the decorative legs (**DL**) to the headboard (**HB**) and footboard (**FB**) of the crib (see **FIGURE 3**).

At this point, you may completely tighten all 12 Allen bolts (**4**) connecting the decorative legs (**DL**) to the headboard (**HB**) and footboard (**FB**).

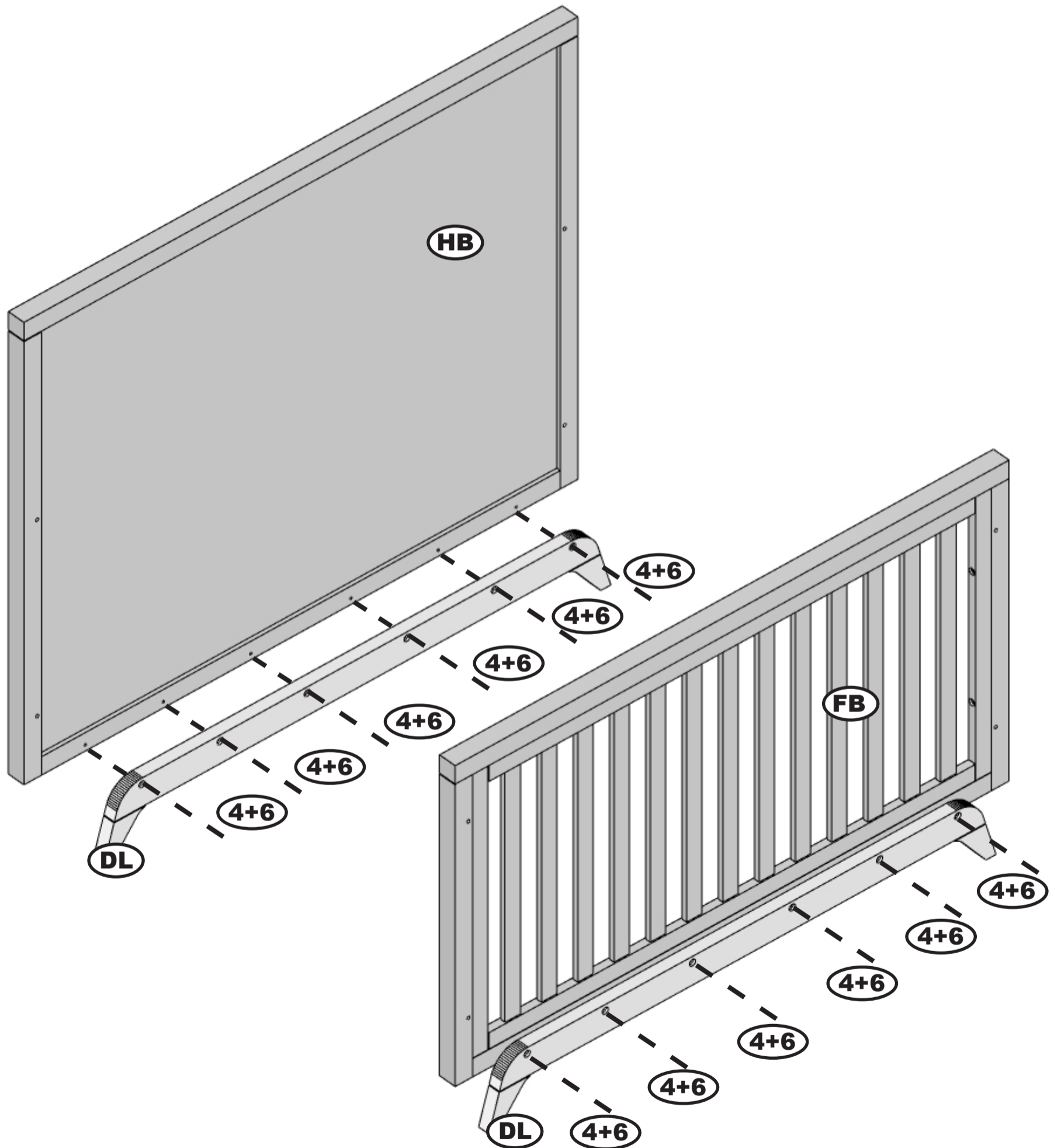


FIGURE 3

STEP 4 (One adult is required in order to complete this step)

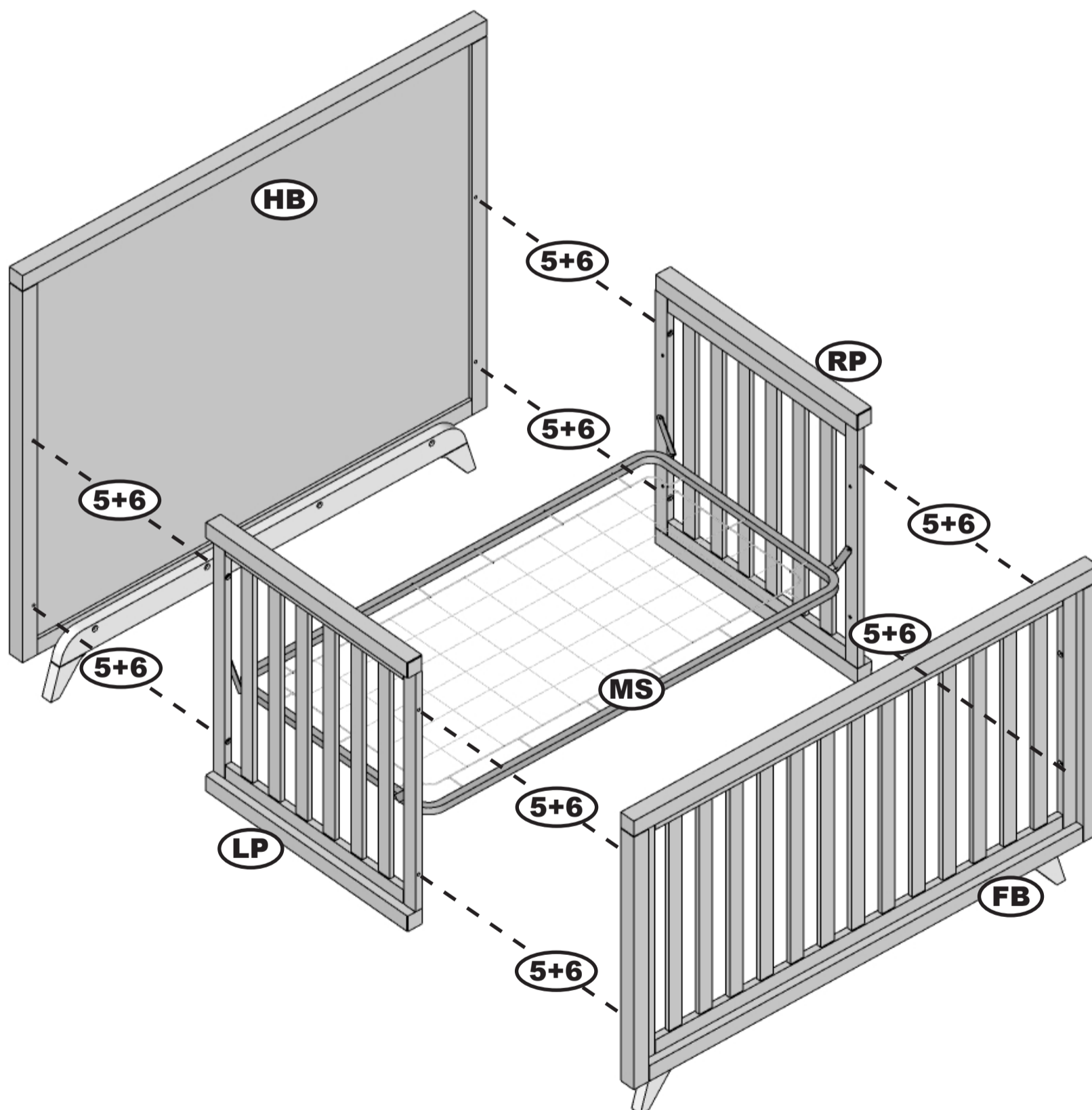
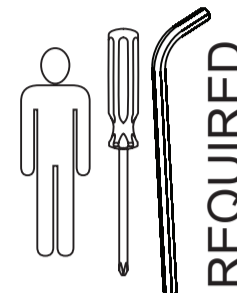
Attach the footboard (FB) and headboard (HB) of the crib to the left and right panels (LP & RP) using 8 Allen bolts (5), 8 washers (6) and the Allen key (which is included). Make sure to insert the washers in between the bolt and the vertical post of the panels.

Completely tighten all 8 Allen bolts (5+6) used to attach the footboard and headboard.

REMINDER

There are a total of 8 Allen bolts which need tightening, distributed as following:

- 4 bolts (5+6) in the footboard (FB);
- 4 bolts (5+6) in the headboard (HB).



WARNING: IN ORDER TO KEEP YOUR BABY SECURE AND SAFE AND TO AVOID POTENTIAL INJURY OR DEATH, IT IS **VERY IMPORTANT** TO **COMPLETELY TIGHTEN ALL 8 BOLTS.**

WARNING! COMPLETELY TIGHTEN!

FIGURE 4

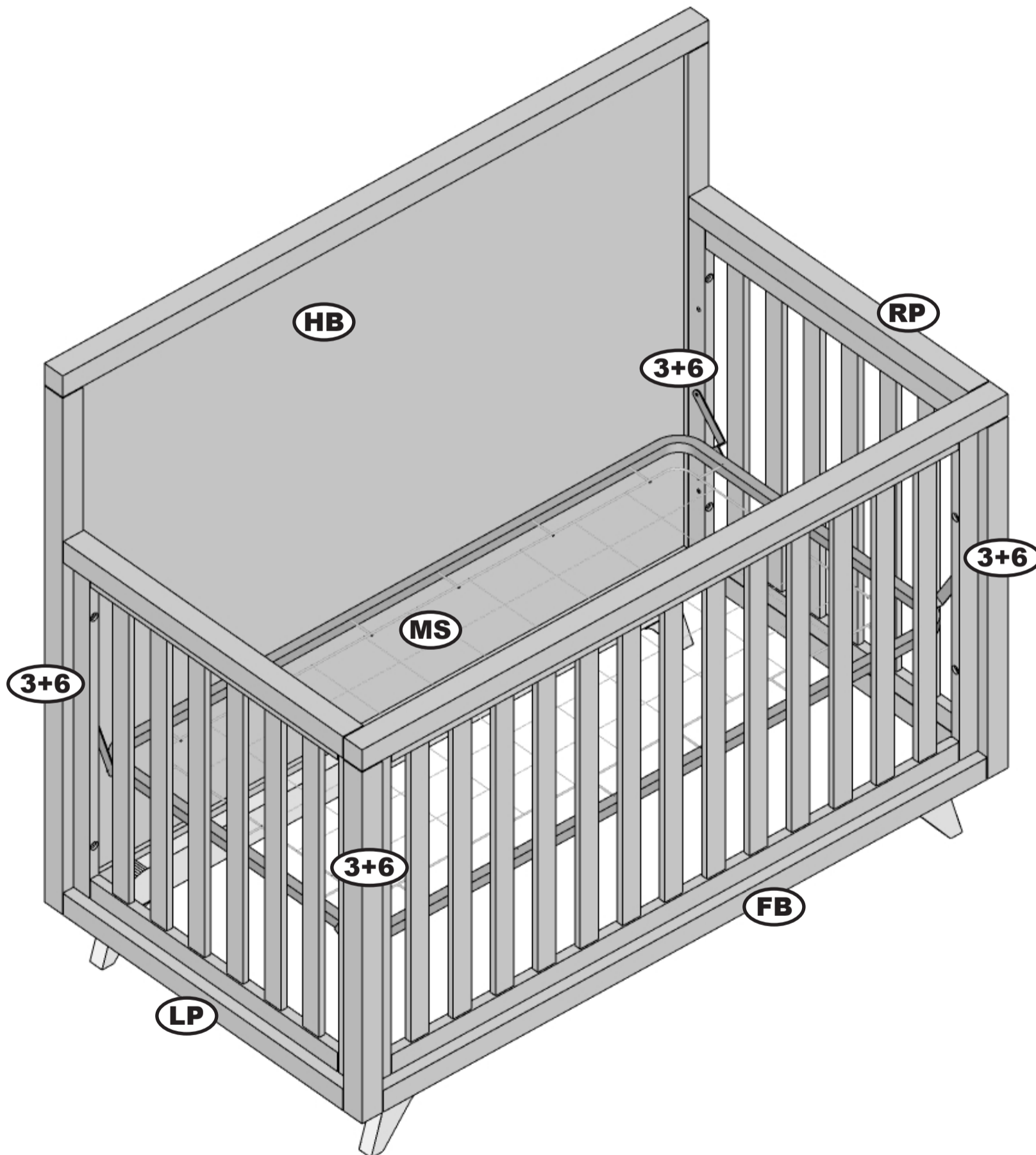
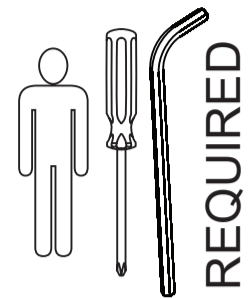
STEP 5 (One adult is required in order to complete this step)

Completely tighten all 4 Allen bolts (3+6) used to attach the mattress support.

REMINDER

There are a total of **4 Allen bolts which need tightening**, distributed as following:

- 4 bolts (**3+6**) in the left and right panels (**LP & RP**).



WARNING: IN ORDER TO KEEP YOUR BABY SECURE AND SAFE AND TO AVOID POTENTIAL INJURY OR DEATH, IT IS **VERY IMPORTANT TO COMPLETELY TIGHTEN ALL 4 BOLTS.**

WARNING! COMPLETELY TIGHTEN!

FIGURE 5

STEP 6 (Two adults are required in order to complete this step)

Carefully turn the crib on its back side (please see **FIGURE 6**) after completing **STEP 5**. Place the crib on a soft surface (blanket or carpet).

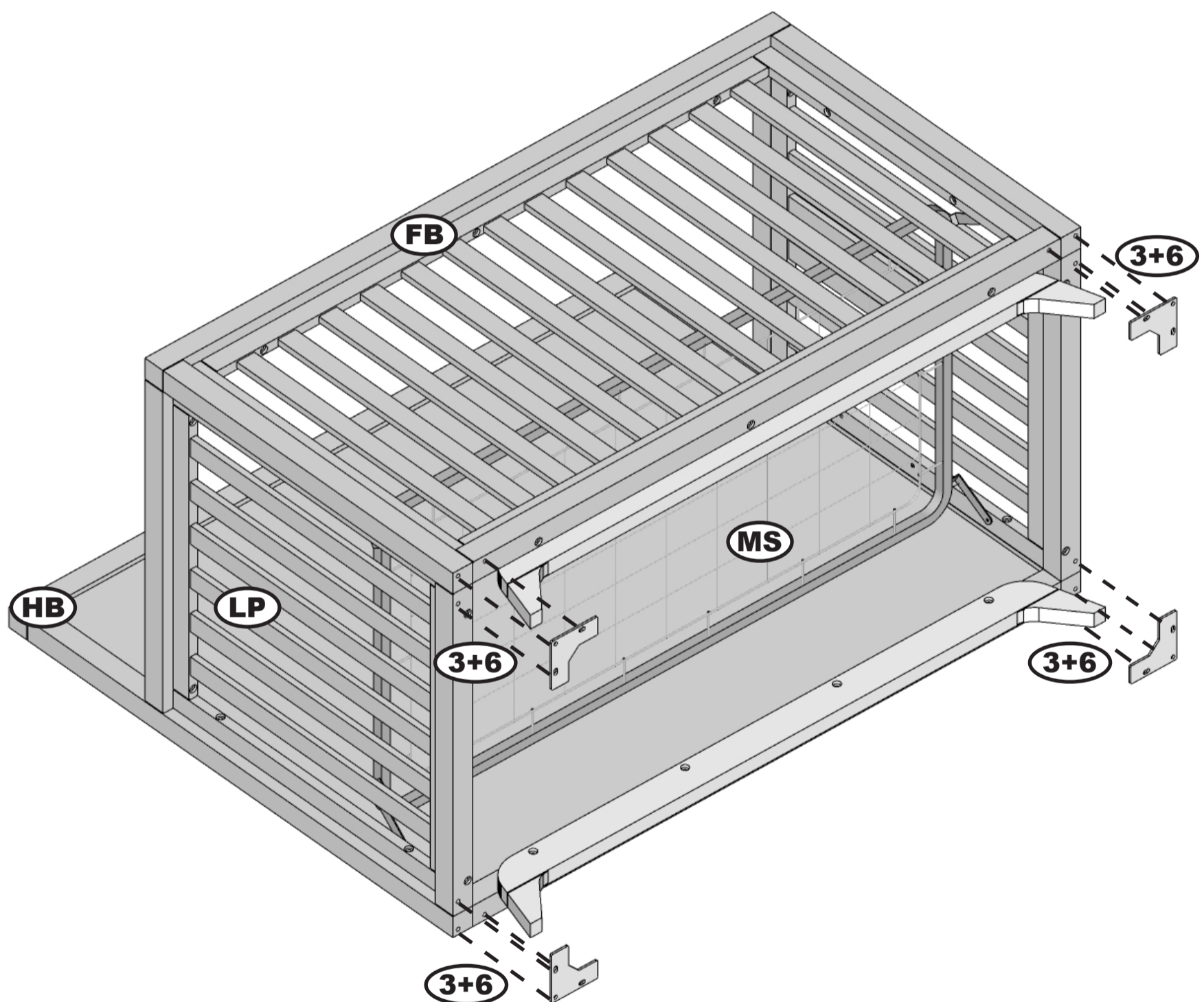
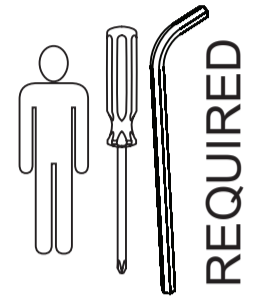
Attach the metallic plates (**MP**) to the crib, using **12 Allen bolts (3)** and **12 washers (6)** and the Allen key provided. Make sure to insert the washer in between the bolts and the crib.

Completely tighten all **12 Allen bolts (3+6)** used to attach the metallic plates.

REMINDER

There are a total of **12 Allen bolts which need tightening**, distributed as following:

- 12 bolts (**3+6**) in the metallic plates (**MP**).



WARNING: IN ORDER TO KEEP YOUR BABY SECURE AND SAFE AND TO AVOID POTENTIAL INJURY OR DEATH, IT IS **VERY IMPORTANT TO COMPLETELY TIGHTEN ALL 12 BOLTS.**

WARNING! COMPLETELY TIGHTEN!

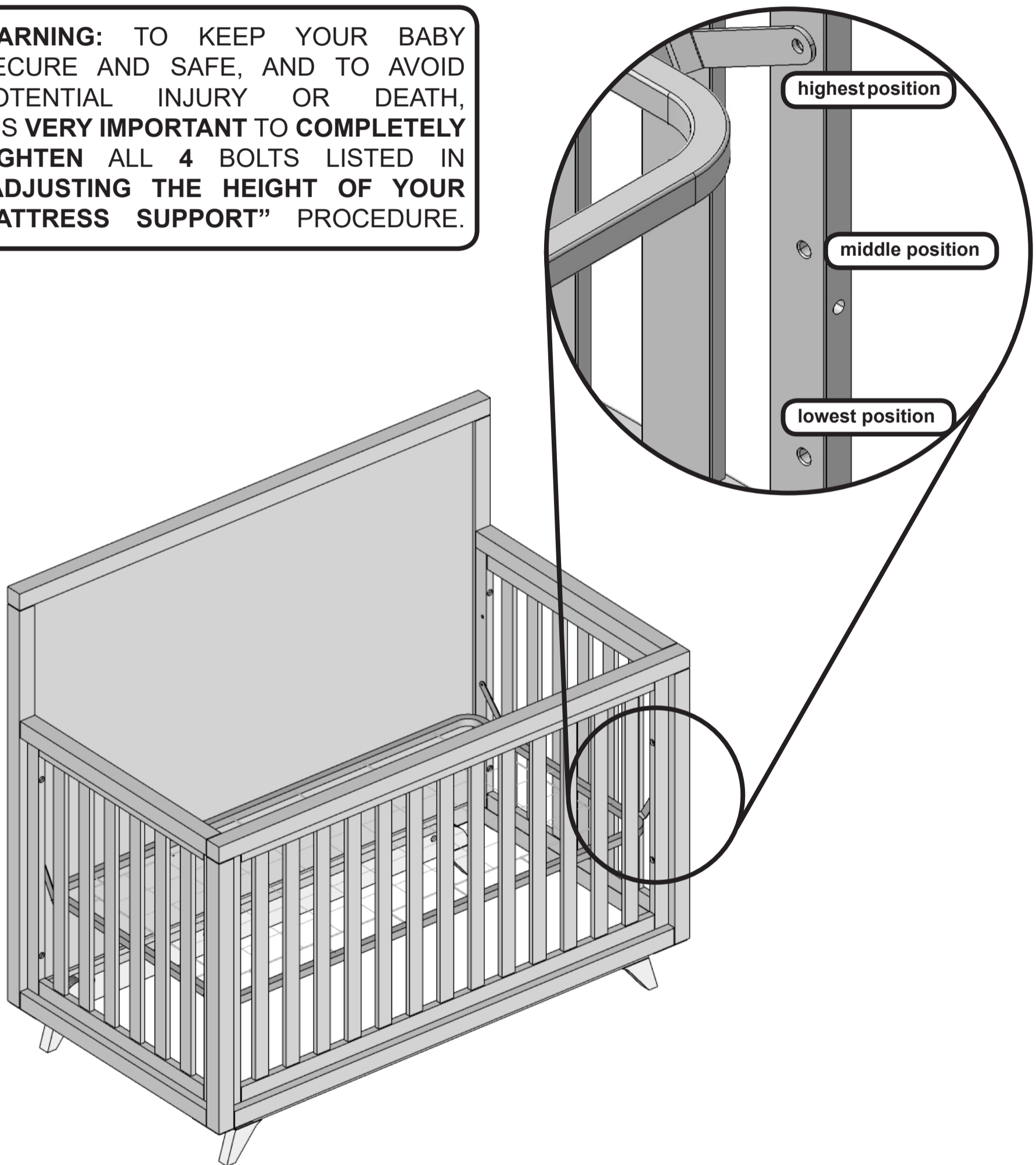
FIGURE 6

ADJUSTING THE HEIGHT OF YOUR MATTRESS SUPPORT

To adjust the vertical position of your mattress support you must remove the mattress support from the crib (please see **STEP 2**) and re-attach it to the lateral panels of the crib according to the desired height (please see **FIGURE 7**). Then, you must completely tighten all bolts.

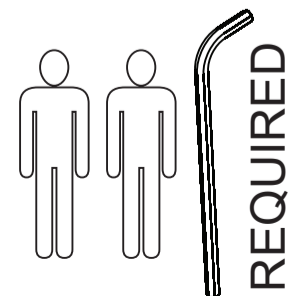
WARNING: TO KEEP YOUR BABY SECURE AND SAFE, AND TO AVOID POTENTIAL INJURY OR DEATH, IT'S VERY IMPORTANT TO COMPLETELY TIGHTEN ALL 4 BOLTS AND WASHERS AFTER YOU HAVE ADJUSTED THE HEIGHT OF YOUR MATTRESS SUPPORT.

WARNING: TO KEEP YOUR BABY SECURE AND SAFE, AND TO AVOID POTENTIAL INJURY OR DEATH, IT'S VERY IMPORTANT TO COMPLETELY TIGHTEN ALL 4 BOLTS LISTED IN "ADJUSTING THE HEIGHT OF YOUR MATTRESS SUPPORT" PROCEDURE.



NOTE: THE STYLE OF YOUR CRIB, METALLIC BRACKETS OR MATTRESS SUPPORT MAY VARY FROM WHAT IS PICTURED IN THE INSTRUCTION SHEET.

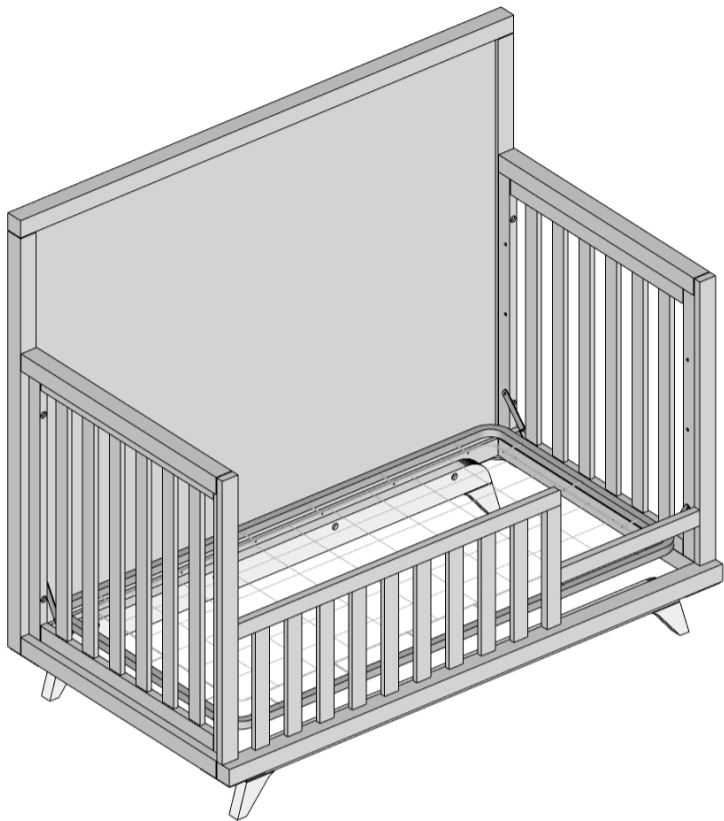
FIGURE 7



15503 UPTOWN

TODLER RAIL OPTION

(THE TODLER RAIL IS SOLD SEPARATELY)



NOTE:

YOU CAN ATTACH A TODDLER RAIL TO YOUR CRIB WITH THE PURCHASE OF ROMINA FURNITURE ITEM **TR 15503** (TODLER RAIL 15503).

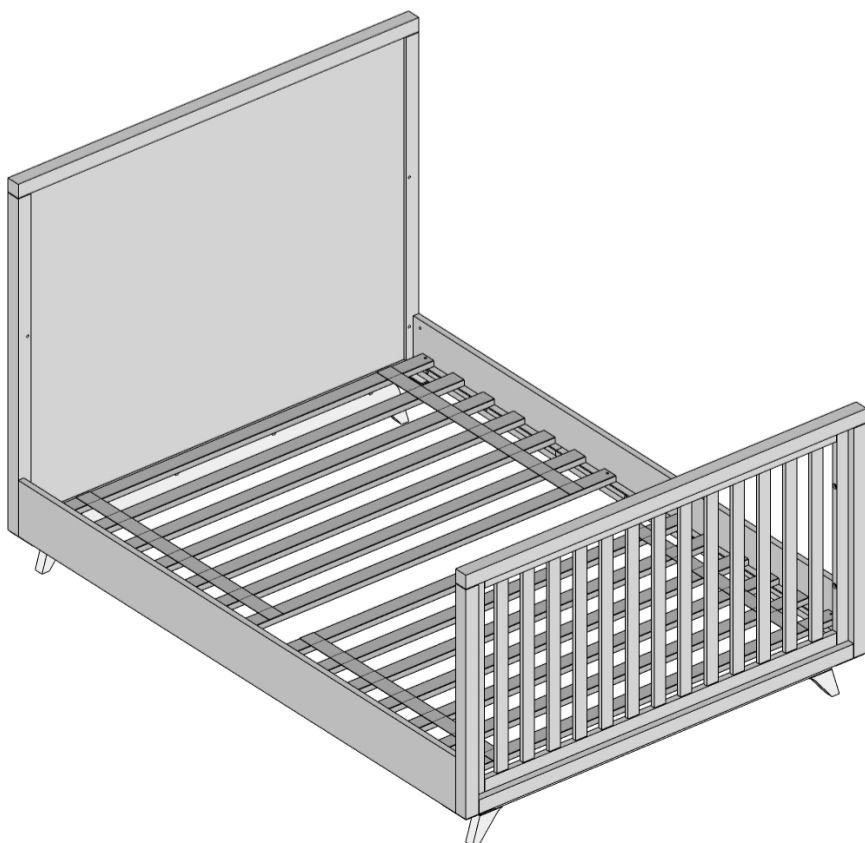
ASSEMBLY INSTRUCTIONS FOR THE TODLER RAIL CAN BE FOUND INSIDE OF THE TR 15503 PACKAGE.

PLEASE CONTACT ROMINA FURNITURE OR YOUR LOCAL DISTRIBUTOR FOR MORE INFORMATION ON THE TODLER RAIL.

15503 UPTOWN

FULL SIZE BED OPTION

(THE CONVERSION KIT IS SOLD SEPARATELY)



NOTE:

YOUR 15503 CONVERTIBLE CRIB CAN BE CONVERTED INTO A FULL SIZE BED WITH THE PURCHASE OF ROMINA ITEM CODE **CKC 15503** (CONVERSION KIT FOR CRIBS, CODE 15503).

THE ASSEMBLY INSTRUCTIONS FOR THE FULL SIZE BED OPTION CAN BE FOUND INSIDE OF THE **CKC 15503** PACKAGE.

PLEASE CONTACT ROMINA FURNITURE OR YOUR LOCAL DISTRIBUTOR FOR MORE INFORMATION ON THE CONVERSION KIT.

CAUTION:

*WHEN A CHILD'S HEIGHT REACHES 35 INCHES, THE CHILD SHOULD BE PLACED IN A YOUTH OR REGULAR BED.

*USE OF A VAPORIZER NEAR FURNITURE WILL CAUSE WOOD TO SWELL AND FINISH TO PEEL.

*DO NOT STORE CRIB IN AREAS WHERE TEMPERATURES AND CONDITIONS ARE EXTREME, SUCH AS HOT ATTICS OR COLD DAMP BASEMENTS. BOTH OF THESE EXTREME CONDITIONS MAY CAUSE THE WOOD TO CRACK AND GLUE JOINTS TO LOOSEN RESULTING IN STRUCTURAL FAILURE.

*SHOULD IT BECOME DESIRABLE TO REFINISH THIS CRIB IN LATER YEARS, THE MANUFACTURER WARNS THAT ANY MATERIAL USED SHOULD BE NON-TOXIC. REGULAR CLEANING WITH MILD SOAP ON A SOFT CLOTH, FOLLOWED BY A CLEAN DAMP CLOTH, THEN A DRY CLOTH, WILL PRESERVE THE ORIGINAL LUSTER AND BEAUTY OF THIS FINE FINISH.

*THIS CRIB IS NOT EQUIPPED TO HANDLE THE EXCESS WEIGHT OF A CRIB WATER MATTRESS.

*LIFT SLIGHTLY WHEN MOVING ON CARPETING TO PREVENT LEG BREAKAGE.

ENSURE A SAFE ENVIRONMENT FOR THE CHILD BY CHECKING REGULARLY, BEFORE PLACING THE CHILD IN THE CRIB, THAT EVERY COMPONENT IS PROPERLY AND SECURELY IN PLACE.

MAINTENANCE OF YOUR ROMINA CONVERTIBLE CRIB:

AFTER YOU FINISH ASSEMBLING YOUR CRIB, BE SURE THAT ALL BOLTS HAVE BEEN TIGHTENED SECURELY. YOU MUST CHECK ALL BOLTS PERIODICALLY AND RE-TIGHTEN AS NECESSARY. PERIODICALLY INSPECT CRIB FOR DAMAGED HARDWARE, LOOSE JOINTS OR SPLINTERED EDGES.

DO NOT USE CRIB IF PARTS ARE DAMAGED OR BROKEN! CONTACT YOUR DEALER OR **ROMINA FURNITURE** FOR ASSISTANCE AND REPLACEMENT PARTS. PLEASE BE SURE TO HAVE YOUR MODEL CODE WRITTEN DOWN BEFORE YOU MAKE CONTACT. THE MODEL CODE CAN BE FOUND ON A WHITE LABEL LOCATED ON THE INSIDE OF YOUR CRIB ON THE SIDE PANEL.

NEVER SUBSTITUTE PARTS OR MAKE ALTERATIONS TO YOUR CRIB!

**THIS PAGE WAS INTENTIONALLY LEFT
BLANK.**

THIS PAGE WAS INTENTIONALLY LEFT
BLANK.

Regular cleaning with mild soap on a soft cloth, followed by a clean damp cloth, then a dry cloth, will preserve the original luster and beauty of this fine finish of your Romina Furniture product.



Romina

Furniture

Good life from Day 1

Visit

www.rominafurniture.com

for updates, special offers and more new designs.