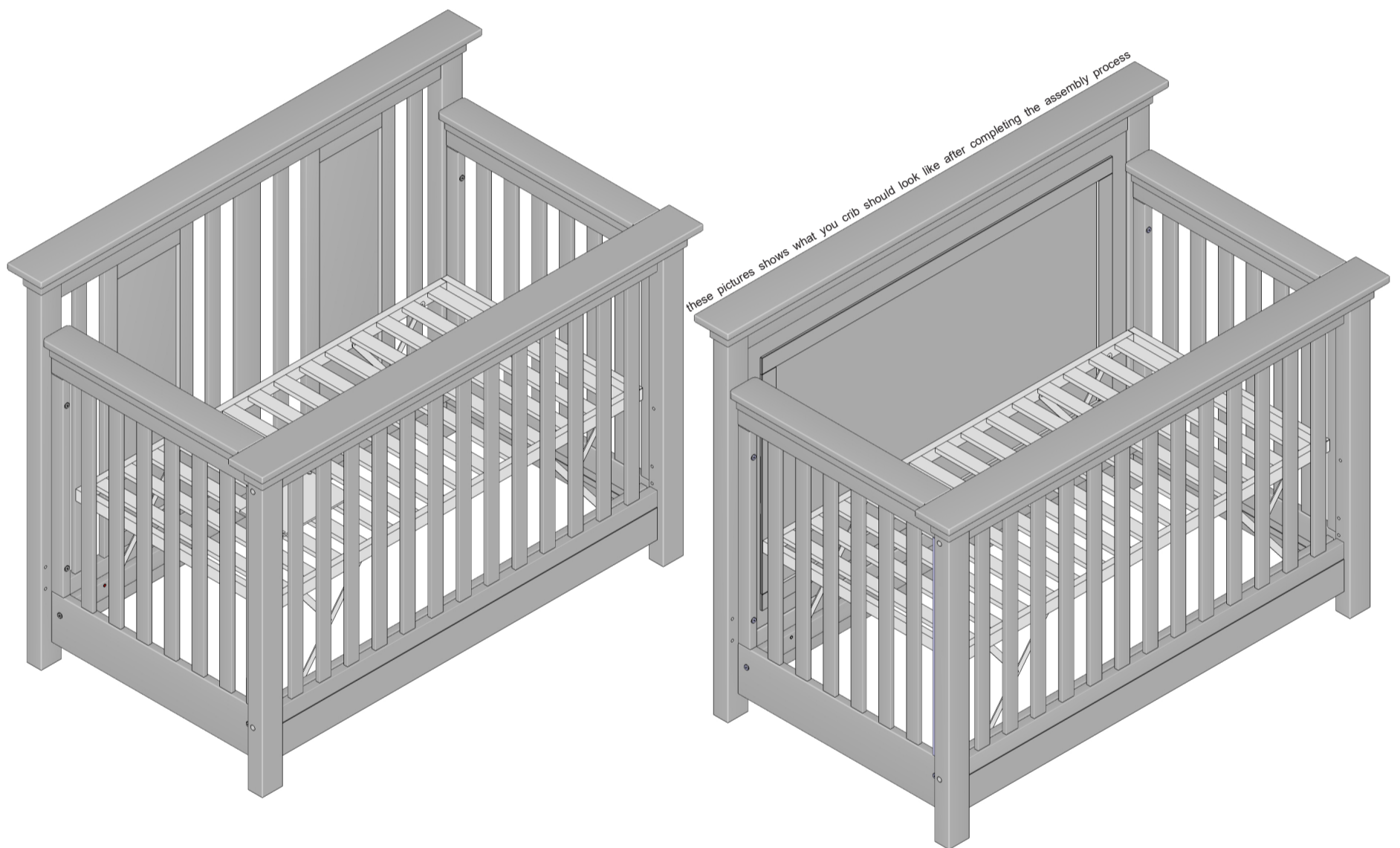


ASSEMBLY INSTRUCTIONS FOR THE 5501/5502 KARISMA CONVERTIBLE CRIB

THIS CRIB CONFORMS TO APPLICABLE REGULATIONS PROMULGATED BY THE CONSUMER PRODUCT SAFETY COMMISSION AND BY THE AMERICAN SOCIETY FOR TESTING AND MATERIALS.



READ ALL INSTRUCTIONS BEFORE ASSEMBLING THE CRIB. KEEP THE INSTRUCTION BOOKLET FOR FURTHER USE.

NEVER USE THE PLASTIC SHIPPING BAGS OR OTHER PLASTIC FILM AS MATTRESS COVERS, AS THEY CAN CAUSE SUFFOCATION.

MAKE SURE TO SELECT THE CORRECT SIZE MATTRESS. INFANTS CAN SUFFOCATE IN THE GAPS BETWEEN THE CRIB SIDES AND A MATTRESS THAT IS TOO SMALL.

WARNING: THE PROPER USE OF THIS CRIB IS IMPORTANT FOR YOUR BABY'S SAFETY. IN ORDER TO KEEP YOU BABY SAFE AND SECURE, AS WELL AS AVOID POTENTIAL INJURY OR DEATH, PLEASE READ AND BECOME FAMILIAR WITH ALL THE WARNINGS, CAUTIONS AND INSTRUCTIONS IN THIS BOOKLET. KEEP THIS INSTRUCTION BOOKLET FOR FURTHER USE.

DO NOT THROW THIS BOOKLET AWAY!



**4300 Northlake Ct, Ste E, Charlotte,
NC 28216**

**Phone: 980-585-1460
www.rominafurniture.com**

⚠️ WARNING! INFANTS CAN SUFFOCATE ON SOFT BEDDING. NEVER ADD A PILLOW OR COMFORTER. NEVER PLACE ADDITIONAL PADDING UNDER AN INFANT. FAILURE TO FOLLOW THESE WARNINGS AND ASSEMBLY INSTRUCTIONS COULD RESULT IN SERIOUS INJURIES OR DEATH.

CAUTION: ANY MATTRESS USED IN THIS CRIB SHALL BE AT LEAST 27 ¹/₄ BY 51 ⁵/₈ IN. WITH A THICKNESS NOT EXCEEDING 6 IN.

- TO REDUCE THE RISK OF SIDS, PEDIATRICIANS RECOMMEND HEALTHY INFANTS BE PLACED ON THEIR BACKS TO SLEEP, UNLESS OTHERWISE ADVISED BY YOUR PHYSICIAN.

STRANGULATION HAZARD:

- STRINGS CAN CAUSE STRANGULATION! **DO NOT** PLACE ITEMS WITH A STRING AROUND A CHILD'S NECK, SUCH AS HOOD STRINGS OR PACIFIER CORDS. **DO NOT** SUSPEND STRINGS OVER A CRIB OR ATTACH STRINGS TO TOYS.

- TO HELP PREVENT STRANGULATION, TIGHTEN ALL FASTENERS. A CHILD CAN TRAP PARTS OF THE BODY OR CLOTHING ON LOOSE FASTENERS.

- **DO NOT** PLACE CRIB NEAR WINDOW WHERE CORDS FROM BLINDS OR DRAPES MAY STRANGLE A CHILD.

FALL HAZARD:

- WHEN CHILD IS ABLE TO PULL TO A STANDING POSITION, SET MATTRESS TO LOWEST POSITION AND REMOVE BUMPER PADS, LARGE TOYS AND OTHER OBJECTS THAT COULD SERVE AS STEPS FOR CLIMBING OUT.

- STOP USING CRIB WHEN CHILD BEGINS TO CLIMB OUT OR REACHES THE HEIGHT OF 35 IN. (89 CM).

- CHECK THIS PRODUCT FOR DAMAGED HARDWARE, LOOSE JOINTS, LOOSE BOLTS OR OTHER FASTENERS, MISSING PARTS, OR SHARP EDGES BEFORE AND AFTER ASSEMBLY AND FREQUENTLY DURING USE. SECURELY TIGHTEN LOOSE BOLTS AND OTHER FASTENERS. **DO NOT** USE CRIB IF ANY PARTS ARE MISSING, DAMAGED OR BROKEN. CONTACT **ROMINA FURNITURE** FOR REPLACEMENT PARTS AND INSTRUCTIONAL LITERATURE IF NEEDED. **DO NOT** SUBSTITUTE PARTS.

- IF REFINISHING, USE A NON-TOXIC FINISH SPECIFIED FOR CHILDREN'S PRODUCTS.

- FOLLOW WARNINGS ON ALL PRODUCTS IN A CRIB.

- READ ALL INSTRUCTIONS BEFORE ASSEMBLING CRIB. **KEEP INSTRUCTIONS FOR FUTURE USE.** A STORAGE POUCH & 2 PLASTIC TIES HAVE BEEN PROVIDED IN THE HARDWARE BAG. ATTACH POUCH TO MATTRESS SUPPORT WITH PLASTIC TIES AND STORE THE INSTRUCTIONS THERE.

- **NEVER** USE PLASTIC SHIPPING BAGS OR OTHER PLASTIC FILM AS MATTRESS COVERS BECAUSE THEY CAN CAUSE SUFFOCATION.

- INFANTS CAN SUFFOCATE IN GAPS BETWEEN CRIB SIDES AND A MATTRESS THAT IS TOO SMALL.

- **DO NOT** USE A WATER MATTRESS WITH THIS CRIB.

- BEFORE USING THIS CRIB, RE-CHECK ALL SCREWS AND BOLTS TO BE SURE THEY ARE FASTENED SECURELY. A PERIODIC CHECK SHOULD BE MADE TO BE SURE THESE ITEMS REMAIN TIGHT.

- TO AVOID HEAD INJURY, **DO NOT** ALLOW ANY CHILD TO PLAY UNDERNEATH CRIB.

GENERAL FURNITURE CARE TIPS

- Wood, like any natural material is likely to present variations of grain and texture which will result in slight color variations or richness in the finish. These differences make each Romina Furniture item as beautiful and unique as you and your baby are.
- To preserve the initial appearance and functionality of your furniture, it is recommended that all furniture items be used in accordance with their intended design.
- Special water-based finishes are used to make this furniture safe for your baby. These finishes may be more delicate than those used on adult furniture thus requiring careful maintenance.
- Constant rubbing or mechanical interaction with sharp/hard objects such as belt buckles, jeans' zippers or buttons will likely damage the finish on your furniture. When placing or retrieving items onto the furniture, always set them down and pick them up, do not "slide" them. Items placed onto the horizontal surfaces must be moved/rotated to prevent discoloration in the finish.
- Exposure to extreme variations of environmental conditions such as humidity and temperature can affect the finish quality due to wood sudden expansion or shrinkage. It is recommended that the room temperature be maintained in between 65 and 75 degrees Fahrenheit and a relative humidity of 35 – 40 %. Do not place items which are too hot or too cold directly onto the finished surfaces!
- Use caution when using a humidifier or vaporizer. Excessive moisture is harmful to the furniture causing the finish to peel and the wood to warp.
- Wipe up spills promptly. If water or other liquids stay in contact with the furniture for a long period of time, they can cause the finish to turn white or discolor. Alcohol or solvent containing substances or materials will permanently damage the finish.
- In general, furniture should not be placed in front or too close to air-conditioning outlets, fireplaces, heaters or humidifiers. Direct sunlight and ultraviolet rays will cause colors to fade, affect the luster and smoothness of the finish and in most cases may cause hairline cracks in the finish. White finishes will yellow naturally over time; exposure to direct sunlight will accelerate this natural process. Please note that all wood essences will darken over time along with the natural aging process which is not considered to be a quality defect.
- To clean the furniture, use a damp cloth immediately followed by wiping with a dry cloth. Do not allow water to stay in contact with the finish as it will damage the finish.
- If you need to put your furniture into storage for any period of time, avoid placing it in damp basements or hot attics. Air flow around and under the furniture should be allowed. Do not place furniture too close to walls, do not stack anything on it and do not cover it entirely.
- When using a vinyl changing pad or similar plastic accessories, make sure to use a fabric felt underneath. Certain plastics have ingredients that can react with and damage the finish. It is recommended to rotate the changing pad's position frequently to avoid finish discoloration.

BOX CONTENT

Please locate and confirm that you have the following parts:

- F. footboard = 1
- B. headboard = 1
- L. left panel = 1
- R. right panel = 1

- M. mattress support = 1
- S. stabilizing bars = 2
- WR. wooden rail = 1
- WB. wooden block = 2

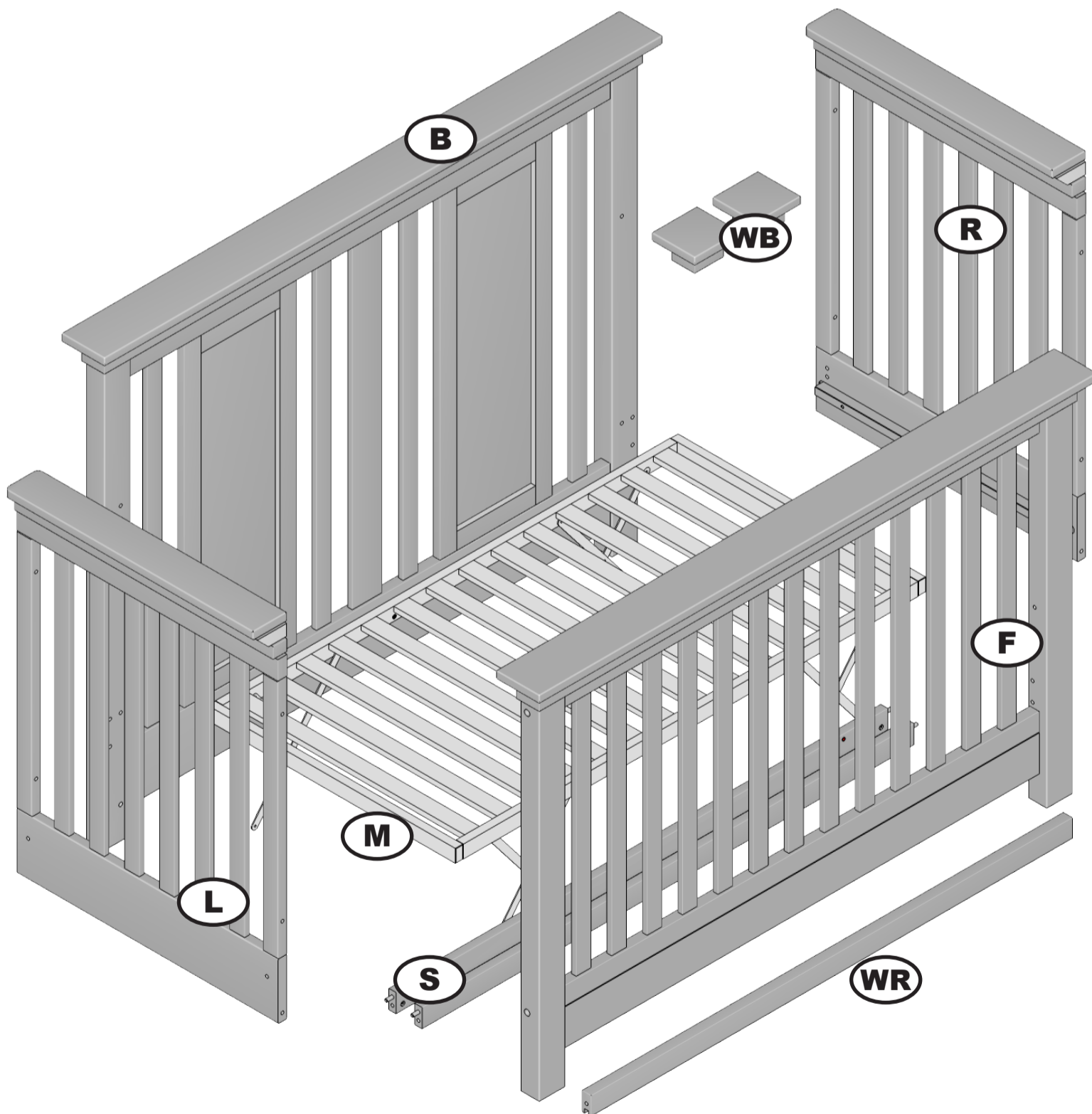
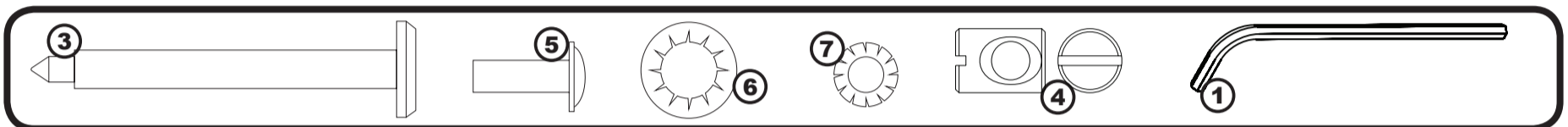
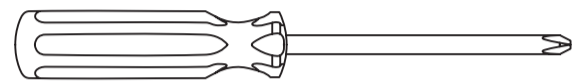
NOTE: THE STYLE OF YOUR CRIB, METALLIC BRACKETS OR MATTRESS SUPPORT MAY VARY FROM WHAT IS PICTURED IN THE INSTRUCTION SHEET.

NOTE: The letters by which a part can be identified represent the initials of the specific part's name (this method is used in order to facilitate parts recognition between the drawings and the parts list).

A bag of hardware containing the following accessories:

- 1. Allen wrench = 1
- 2. A storage pouch and 2 plastic ties
- 3. Allen bolt (60mm - 2 3/8") = 12
- 4. Barrel nuts = 4
- 5. Round head bolt (15mm - 19/32") = 4
- 6. Large "internal star" lock washer = 12
- 7. Small "external star" lock washer = 4

NOTE: Phillips screwdriver not included!

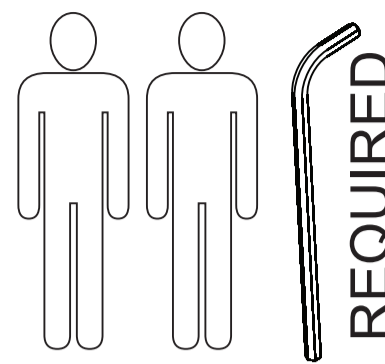


NOTE: The item number of your product is located on the inner side of the left panel, on a black and white label. Please refer to this number in the event of needing to contact ROMINA FURNITURE or your local supplier.

NOTE: During the assembly process, whenever using screws or bolts, check by using a measuring instrument for each of them, in order to identify the correct one. Be sure to use the proper size and shape specified in the instructions. Be sure to **COMPLETELY TIGHTEN** the screws and bolts when told to do so.

STEP 1 (Two adults are required in order to complete this step)

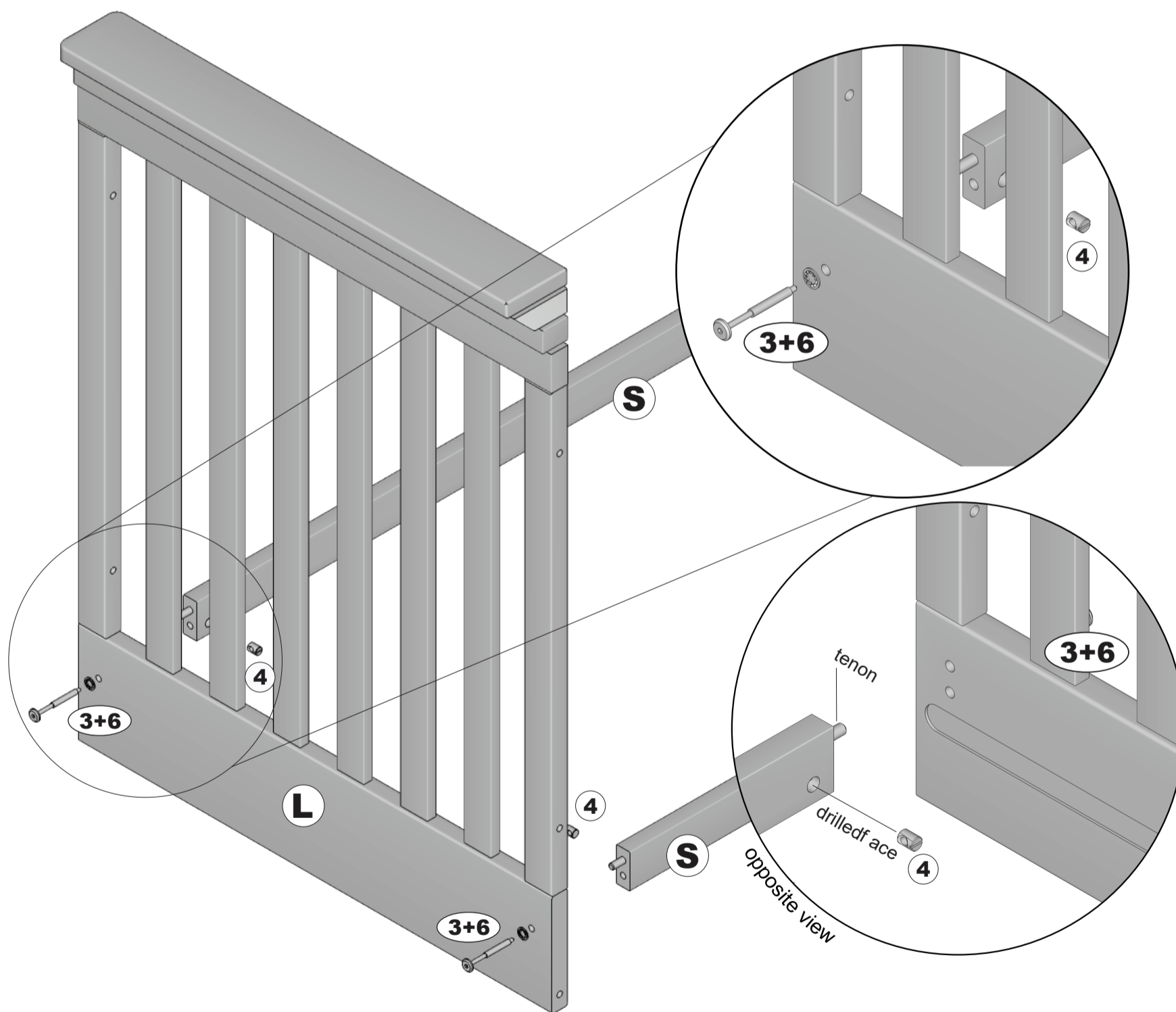
Attach one of the stabilizing bars (**S**) to the left panel (**L**) of the crib using 1 Allen bolt (**3**), 1 large lock washer (**6**) and 1 barrel nut (**4**). Align the tenon attached at the end of the stabilizing bar with the upper hole drilled on the inner face of the left side of the crib. Be sure that the drilled face of the stabilizing bar faces towards the inside of the crib (follow the instructions attached to the stabilizing bar). Push the barrel nut into the hole drilled into the stabilizing bar, then align the straight slot in the head of the barrel nut horizontally, in order for the threads of the bolt to be able to enter the inner side of the barrel nut. You can adjust the position of the barrel nut with a flat head screwdriver (which is not supplied) or a coin.



Attach the washer to the Allen bolt and then push the Allen bolt through the left side panel and into the stabilizing bar. Begin turning it clockwise by hand, in order to ensure the non-stripping of the threads and then use the supplied Allen wrench (**1**).

Repeat the steps for the second stabilizing bar.

Do not completely tighten the bolts at this step, you will be asked to do this later.



NOTE: THE STYLE OF YOUR CRIB, METALLIC BRACKETS OR MATTRESS SUPPORT MAY VARY FROM WHAT IS PICTURED IN THE INSTRUCTION SHEET.

FIGURE 1

STEP 2

Assemble the result of **STEP 1** and the right side panel (**R**), using the technique described in **STEP 1**.

Do not completely tighten the bolts at this step, you will be asked to do this later.

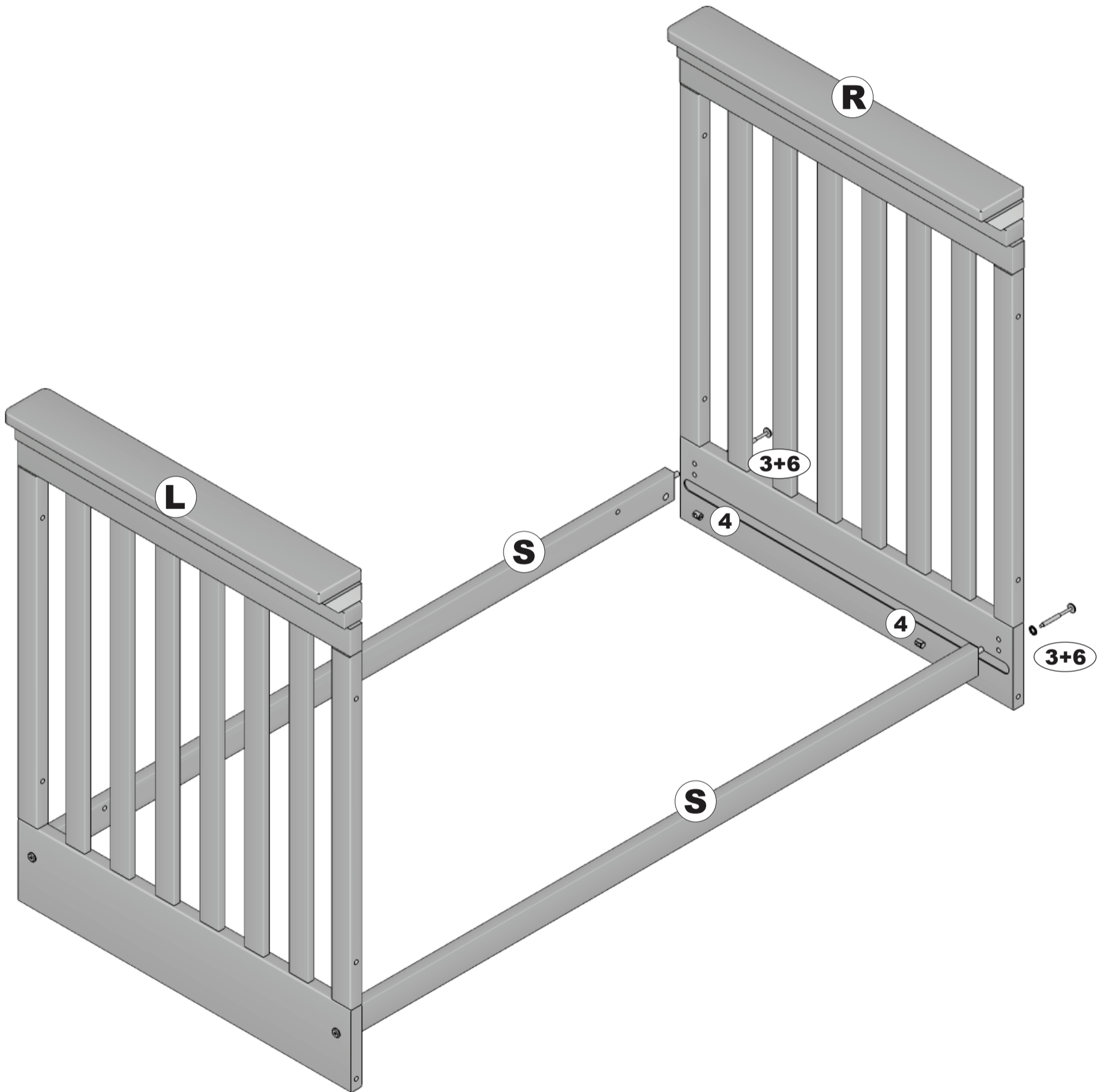
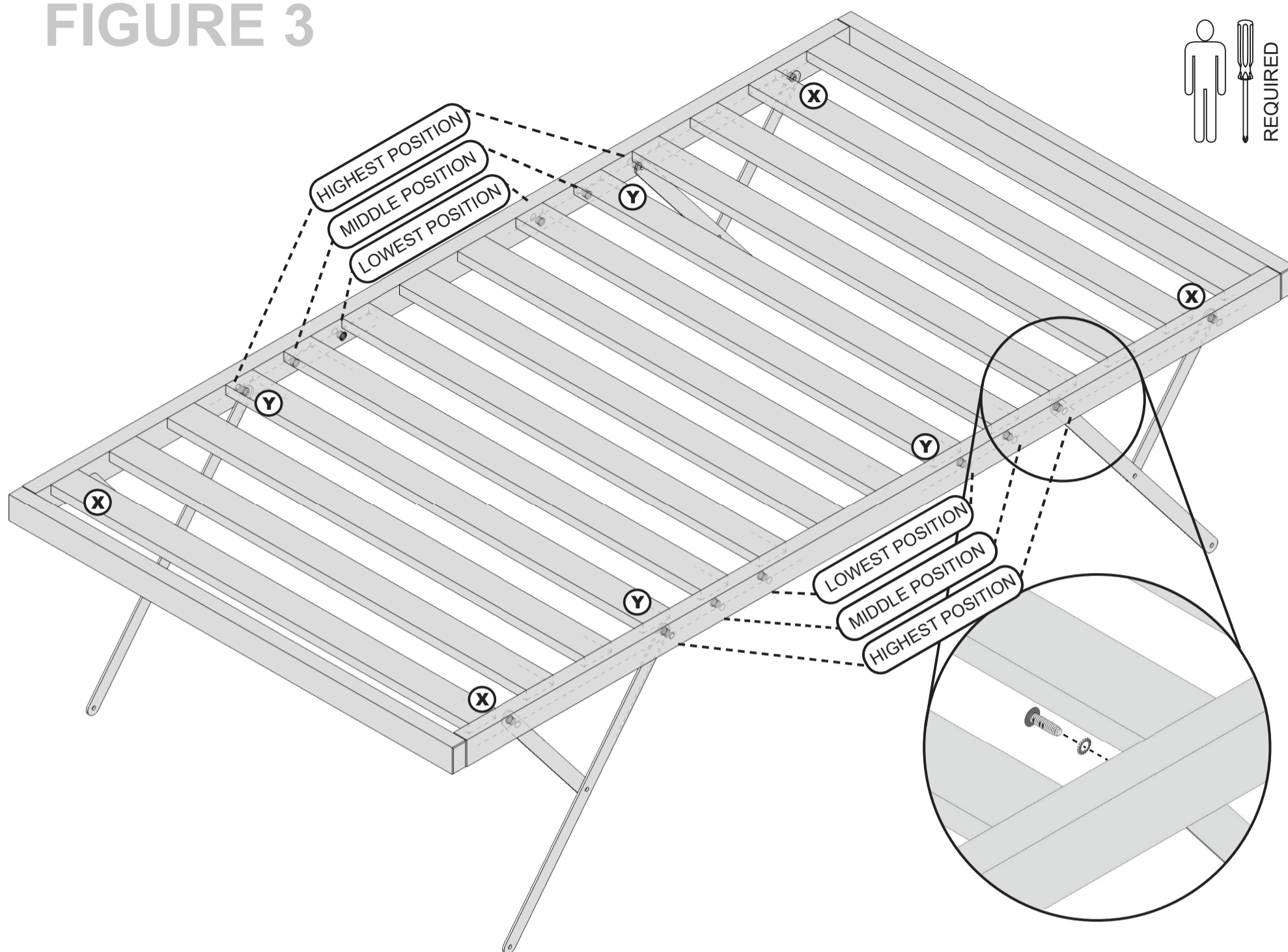


FIGURE 2

FIGURE 3



WARNING! COMPLETELY TIGHTEN!

STEP 3 (One adult is required in order to complete this step)

There are three different positions for the mattress support (the highest one being intended for a newborn child and the lowest one for a child that is maximum 35" tall - see cautions note). You must adjust the height of the mattress support (depending on your child's height), by inserting all 4 bolts and nuts (Y) in the same position (see **FIGURE 2**).

Bolts (X) and (Y) are factory mounted.

Do not completely tighten the bolts at this step; you will be asked to do so in a later step.

The mattress support will be assembled in the LOWEST POSITION.

ADJUSTING THE HEIGHT OF THE MATTRESS SUPPORT

To adjust the vertical position of the mattress support, you must remove all four bolts and washers (Y), loosen all eight bolts (5+7, X), lower the frame and insert the bolts and washers (Y) back into the corresponding holes, according to the desired height (see **FIGURE 3**). Afterwards, completely tighten all bolts.

The crib is designed in such a manner that, when the mattress support is adjusted to its lowest position, the mattress support frame must be placed directly over the bottom frame. Before tightening the bolts, we recommend slightly pressing down on the mattress support, in order to ensure its correct positioning.

WARNING: IN ORDER TO KEEP YOUR BABY SECURE AND SAFE AND TO AVOID POTENTIAL INJURY OR DEATH, IT IS VERY IMPORTANT TO COMPLETELY TIGHTEN ALL 12 BOLTS (X), (Y) & (5+7) AFTER ADJUSTING THE HEIGHT OF THE MATTRESS SUPPORT.

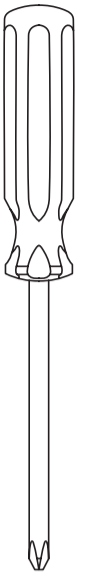
STEP 4

Attach the mattress support (**MS**) to the stabilizing bars (previously mounted in **STEP 1**) by using the 4 round head bolts (**5**), 4 washers (**7**) and a Phillips screwdriver (which is not included). The lock washer must be attached to the bolt before inserting it through the metal bracket of the mattress support.

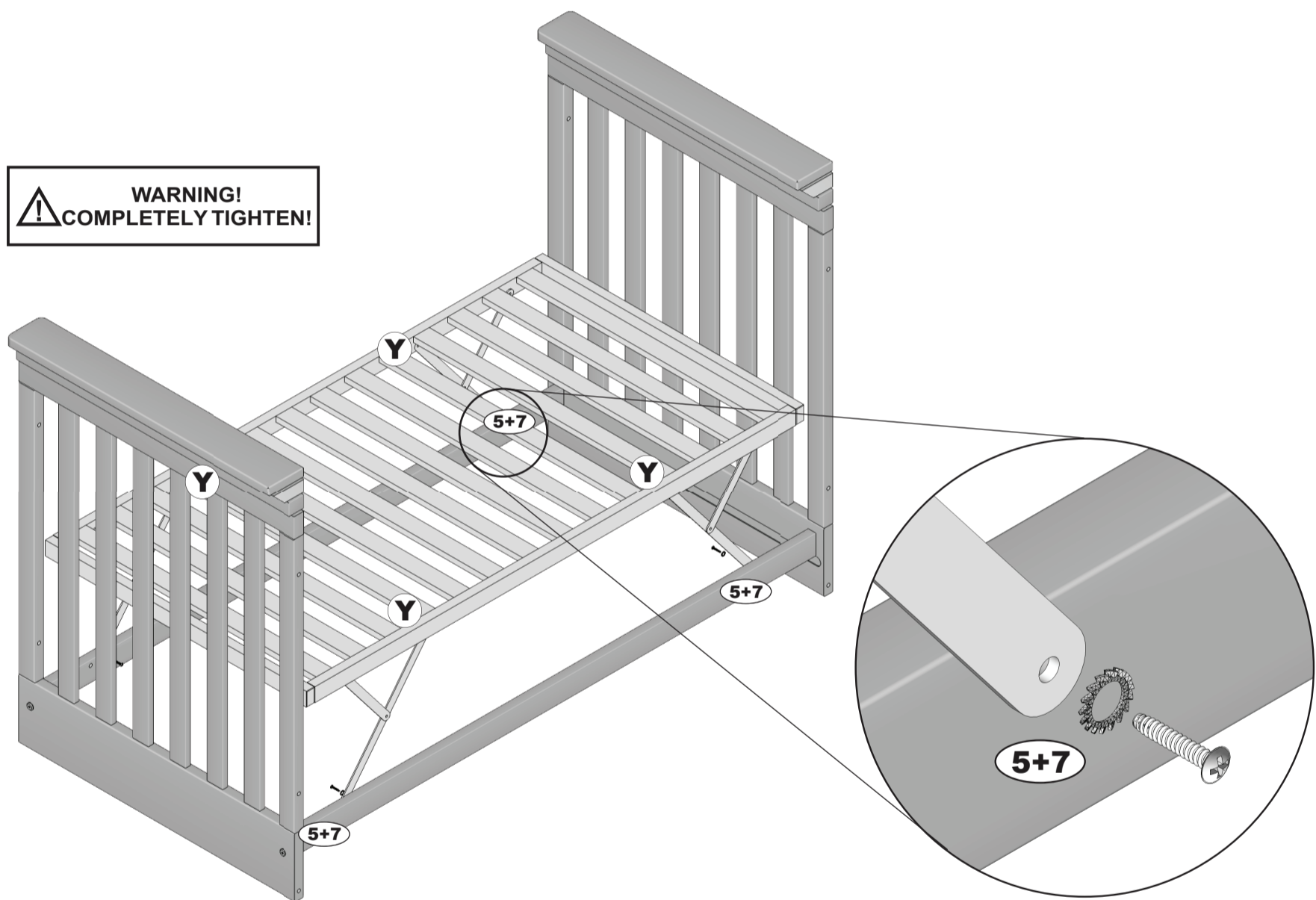
At this point, you must **completely tighten all 8 bolts (5+7, Y)** involved in the mattress support fixing process, by using a Phillips screwdriver (which is not supplied).

See **FIGURE 4**.

REQUIRED



 **WARNING!**
COMPLETELY TIGHTEN!



WARNING: IN ORDER TO KEEP YOUR BABY SECURE AND SAFE AND TO AVOID POTENTIAL INJURY OR DEATH, IT IS **VERY IMPORTANT TO COMPLETELY TIGHTEN ALL 12 BOLTS LISTED IN STEP 3.**

FIGURE 4

STEP 5

Attach the part of the crib resulted after **STEP 4** to the back panel (**B**), using 4 Allen bolts (**3**), 4 large lock washers (**6**) and the Allen wrench supplied (**1**).

Do not completely tighten the bolts at this point, you will be asked to do so later.

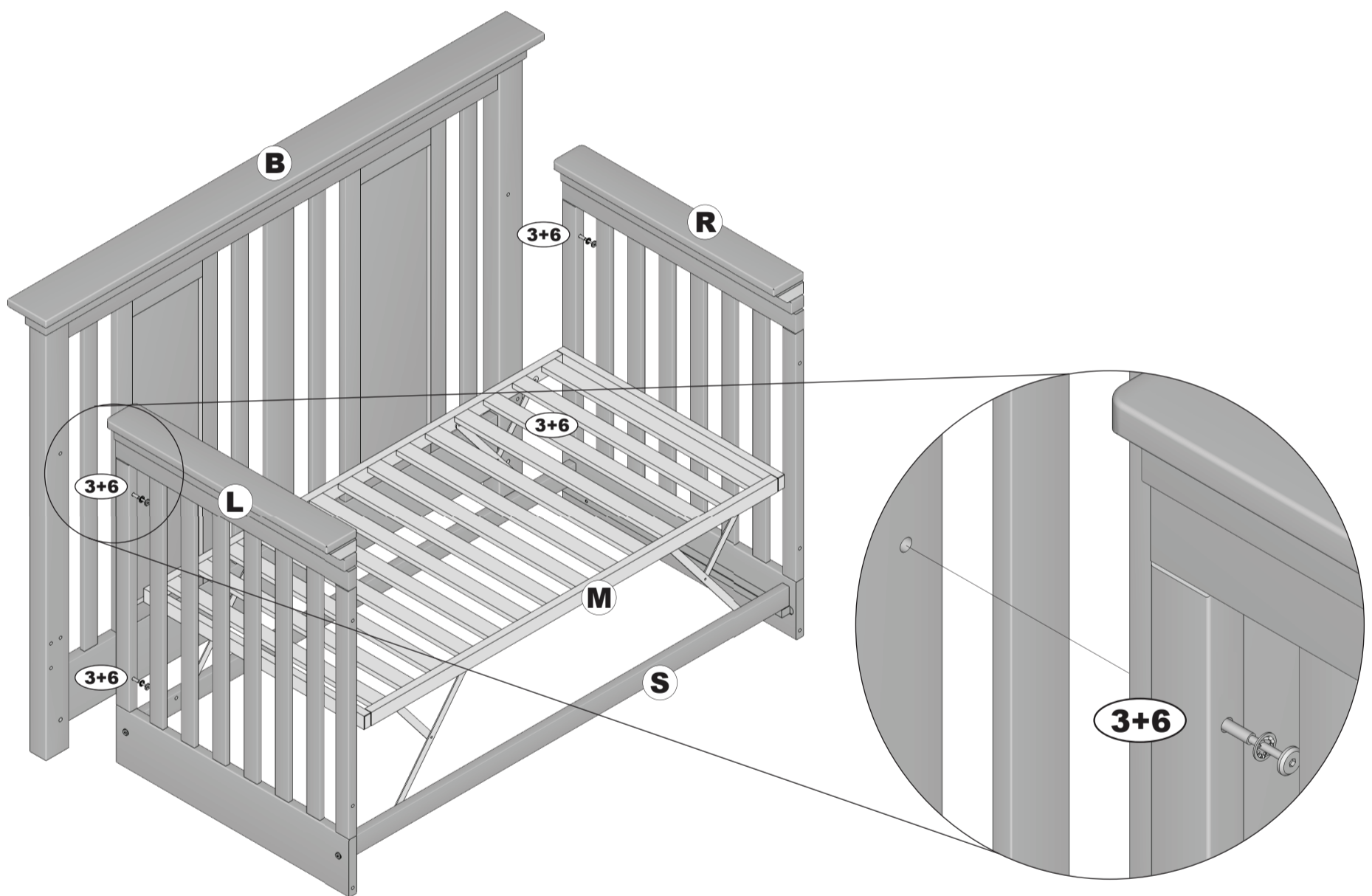


FIGURE 5

STEP 6

Attach the part of the crib resulted after **STEP 5** to the front panel (**F**), using 4 Allen bolts (**3**), 4 large lock washers (**6**) and the Allen wrench supplied (**1**).

Do not completely tighten the bolts at this point, you will be asked to do so later.

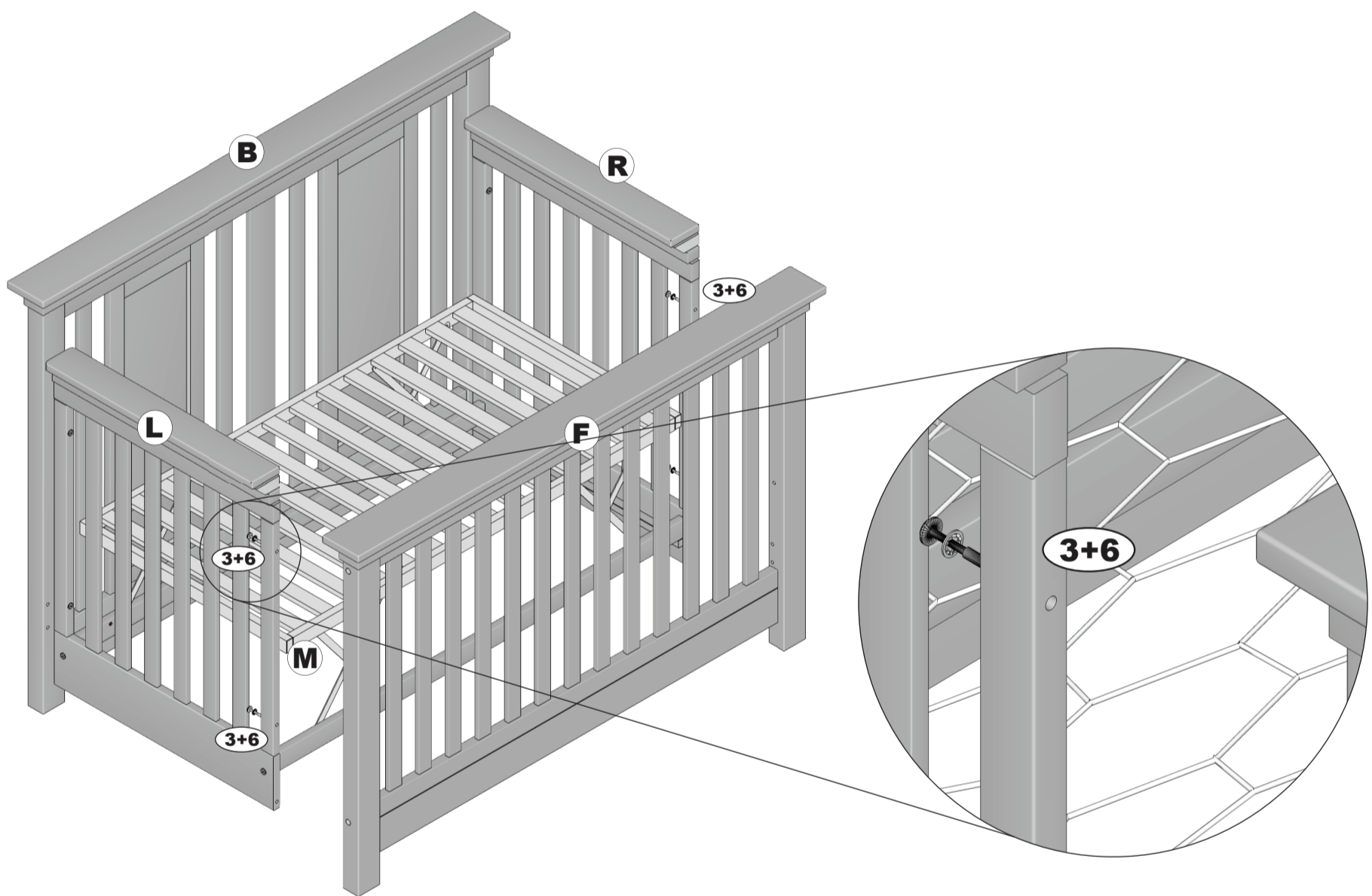


FIGURE 6

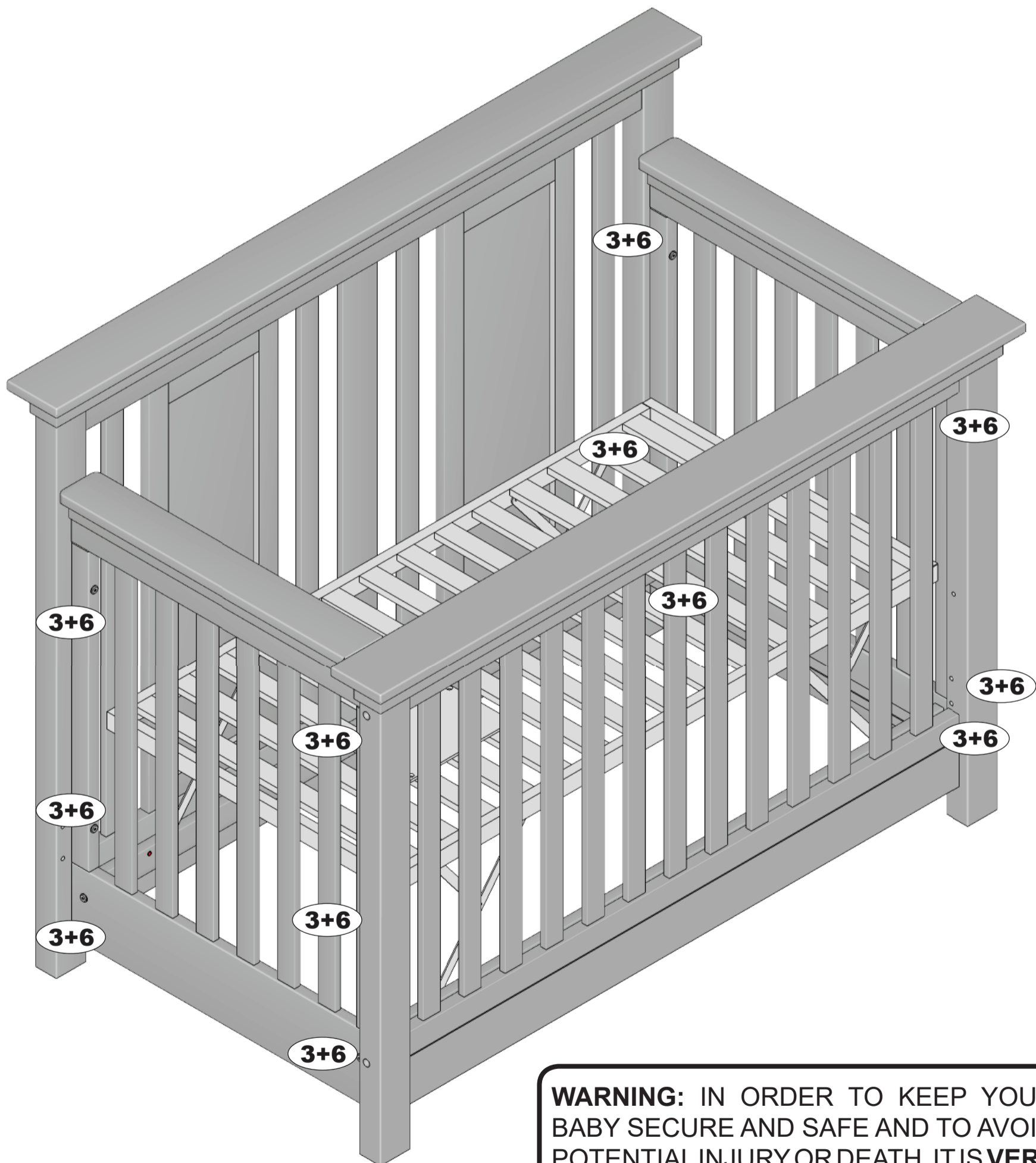
STEP 7

Using the Allen wrench (1) supplied, you must completely tighten all 12 Allen bolts (3+6) which have remained untightened from all previous steps (see **FIGURE 7**).

REMINDER

There are a total of 12 Allen bolts which need tightening, distributed as following:

- 4 bolts (3+6) in the upper part of the left panel (L);
- 4 bolts (3+6) in the upper part of the right panel (R);
- 4 bolts (3+6) in the lower part of the left panel (L);
- 4 bolts (3+6) in the lower part of the right panel (R).



WARNING: IN ORDER TO KEEP YOUR BABY SECURE AND SAFE AND TO AVOID POTENTIAL INJURY OR DEATH, IT IS **VERY IMPORTANT TO COMPLETELY TIGHTEN ALL 12 BOLTS LISTED IN STEP 7.**

FIGURE 7

Once having completed STEP 7, attach the storage pouch supplied to the mattress support using the two plastic ties as pictured in **FIGURE 8**.

Store this instruction booklet for further use.

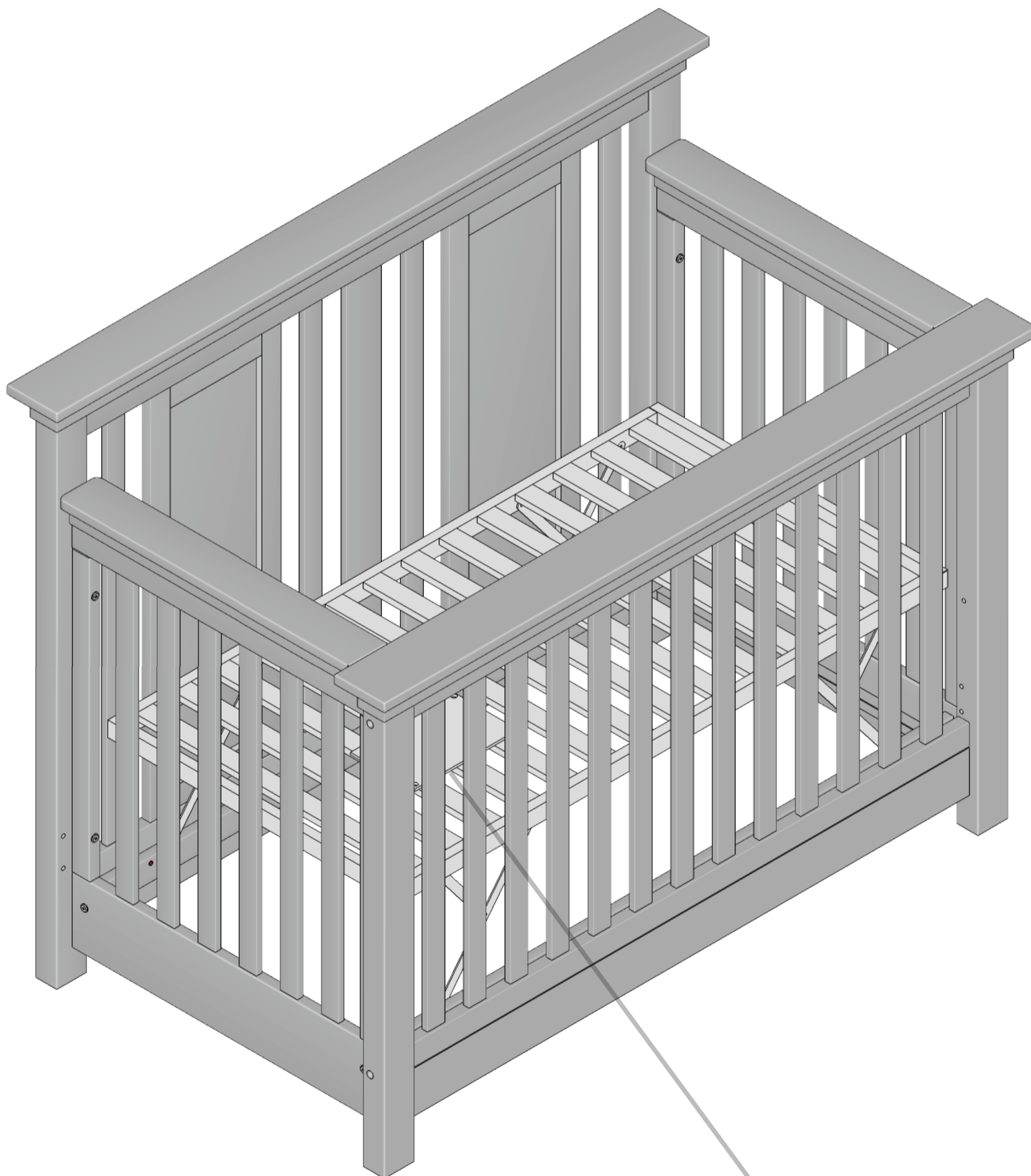
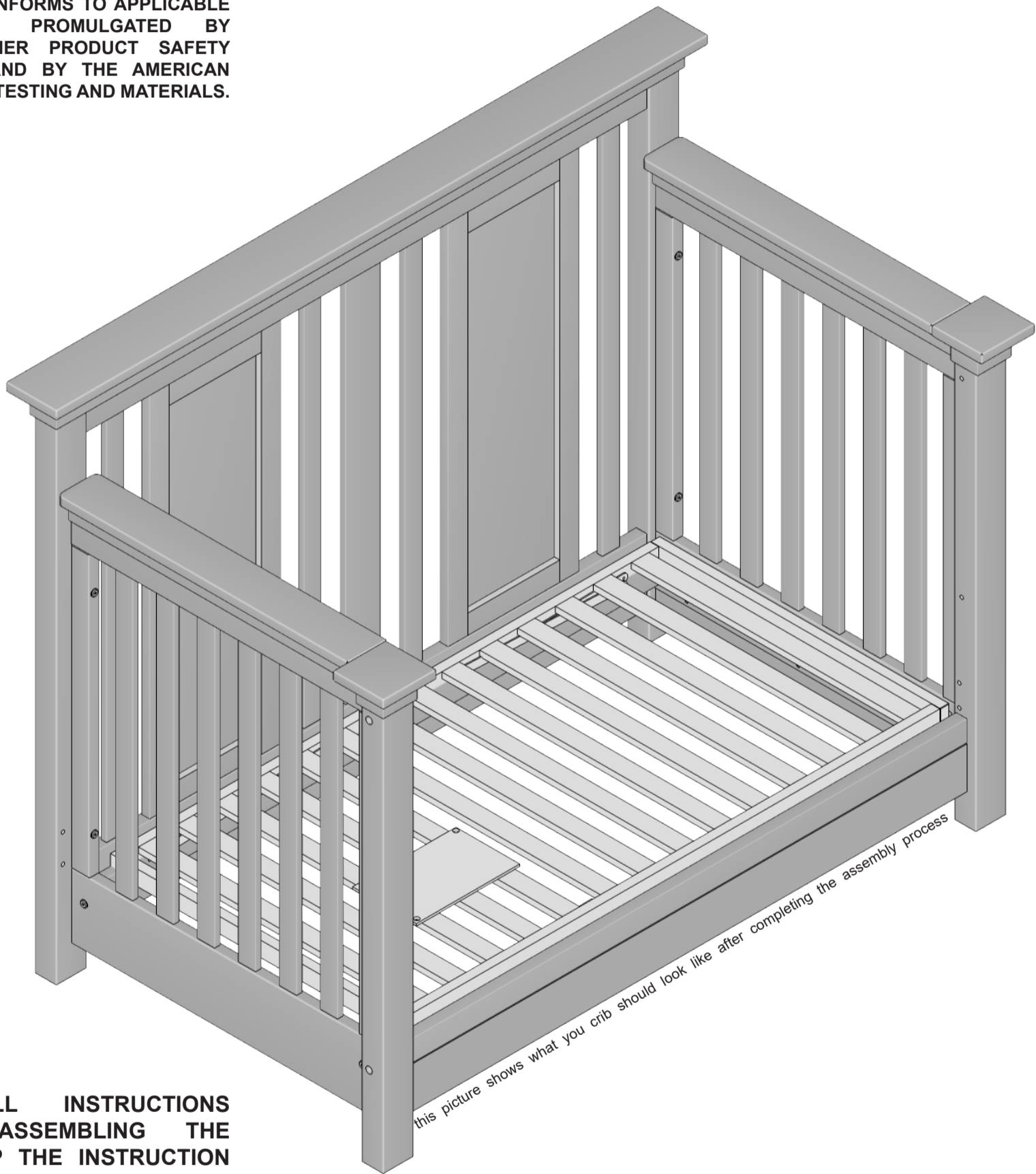


FIGURE 8

ASSEMBLY INSTRUCTIONS FOR THE 5501/5502 KARISMA DAY BED OPTION

THIS CRIB CONFORMS TO APPLICABLE REGULATIONS PROMULGATED BY THE CONSUMER PRODUCT SAFETY COMMISSION AND BY THE AMERICAN SOCIETY FOR TESTING AND MATERIALS.



READ ALL INSTRUCTIONS BEFORE ASSEMBLING THE CRIB. KEEP THE INSTRUCTION BOOKLET FOR FURTHER USE.

NEVER USE THE PLASTIC SHIPPING BAGS OR OTHER PLASTIC FILM AS MATTRESS COVERS, AS THEY CAN CAUSE SUFFOCATION.

MAKE SURE TO SELECT THE CORRECT SIZE MATTRESS. INFANTS CAN SUFFOCATE IN THE GAPS BETWEEN THE CRIB SIDES AND A MATTRESS THAT IS TOO SMALL.

WARNING (FOR DAY BED OPTION ONLY):

-ANY MATTRESS USED IN THIS CRIB MUST BE AT LEAST 27 1/4 INCHES BY 51 5/8 INCHES, WITH A THICKNESS NOT EXCEEDING 6 INCHES.

-THE MINIMUM AGE SHALL NOT BE LESS THAN 15 MONTHS OLD AND THE MAXIMUM WEIGHT SHALL NOT BE MORE THAN 50 LBS.

DO NOT THROW THIS BOOKLET AWAY!



4300 Northlake Ct, Ste E, Charlotte, NC 28216

**Phone: 980-585-1460
www.rominafurniture.com**

STEP A

Remove both the back panel (**B**) and the front panel (**F**) by completely unscrewing all 8 Allen bolts (**3+6**) using the supplies Allen wrench (**1**) (see **FIGURE A**). Keep the bolts and the washers nearby for the following steps.

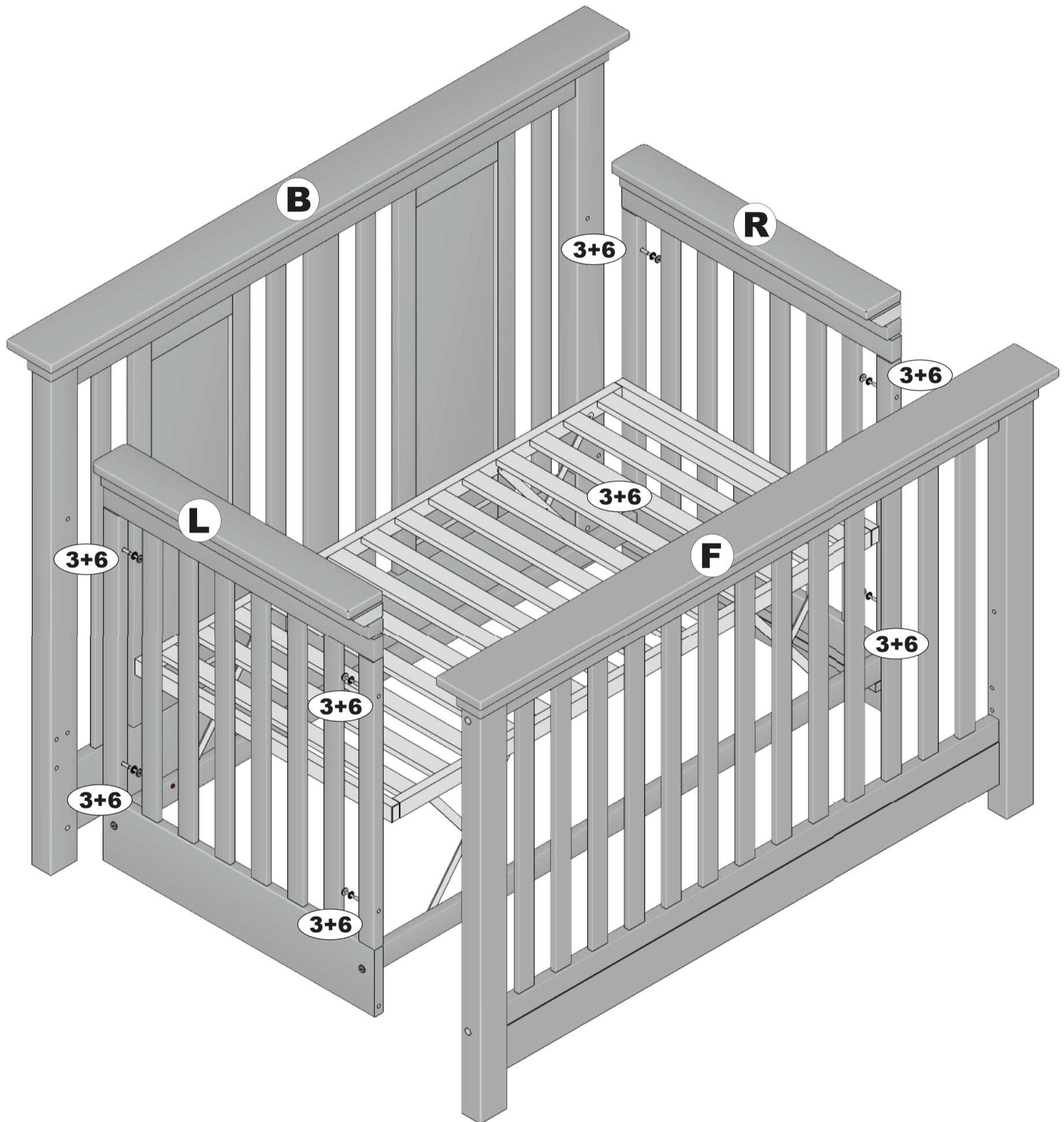


FIGURE A

STEP B (Two adults are required in order to complete this step)

Remove all 4 round head bolts & washers (Y) located on your mattress support.

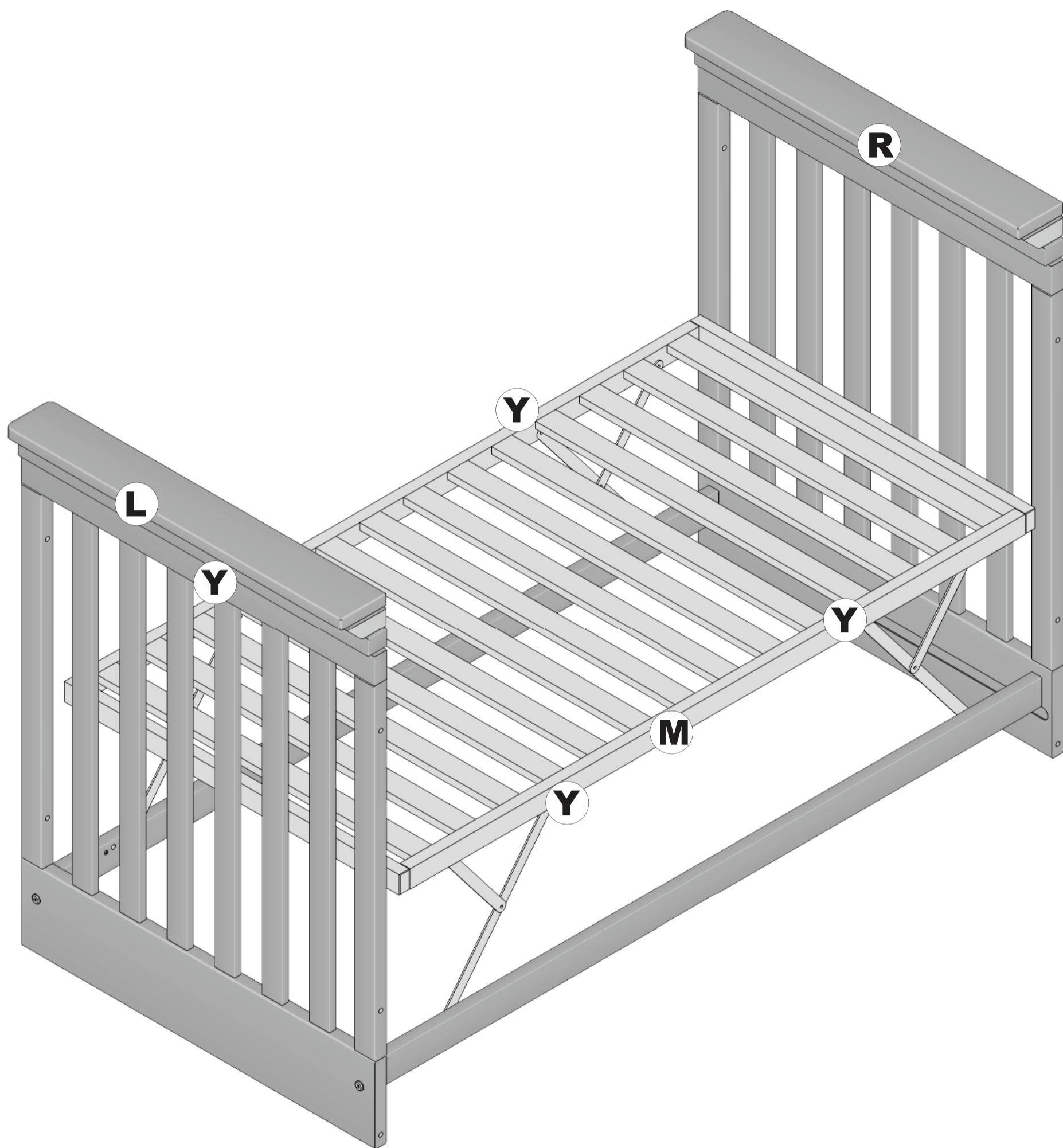
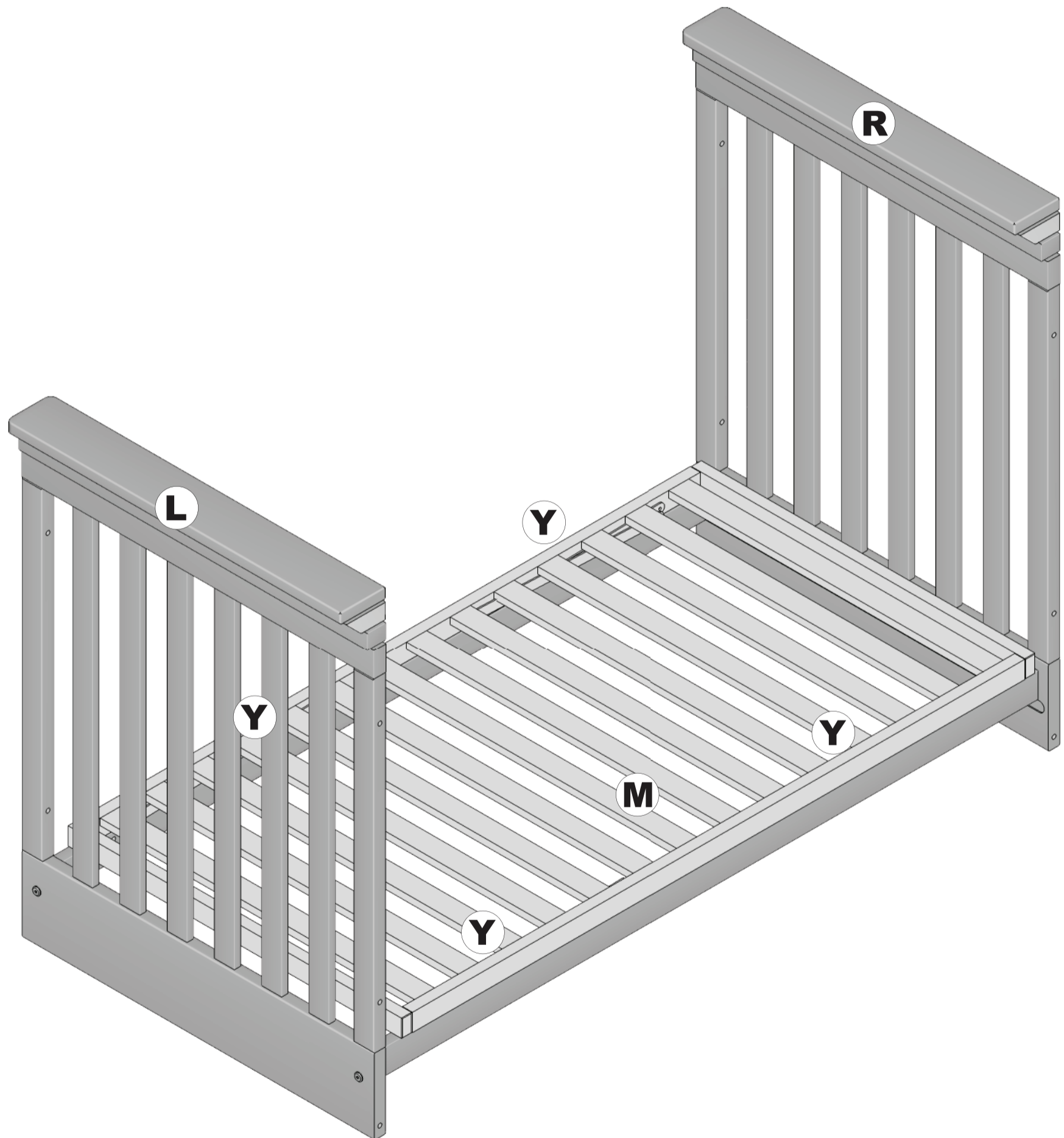


FIGURE B

STEP C

Adjust the mattress support to its lowest setting, then **completely tighten** all 4 bolts (**Y**) in their new position by using a Phillips screwdriver (which is not supplied).

For more details on mattress support height adjustment see “**ADJUSTING THE HEIGHT OF YOUR MATTRESS**” - **FIGURE 3**.



WARNING: IN ORDER TO KEEP YOUR BABY SECURE AND SAFE AND TO AVOID POTENTIAL INJURY OR DEATH, IT IS **VERY IMPORTANT TO COMPLETELY TIGHTEN** ALL 4 BOLTS LISTED IN **STEP C**.

FIGURE C

STEP D

Take the front panel (F). Using the supplied Allen wrench (1) or a Phillips screwdriver (which is not included), rotate the cam fitting (located on the inner upper side of the right leg) counterclockwise, until the little arrow points upwards (see the detailed view in **FIGURE D**).

Do the same for the other cam fitting from the left leg.

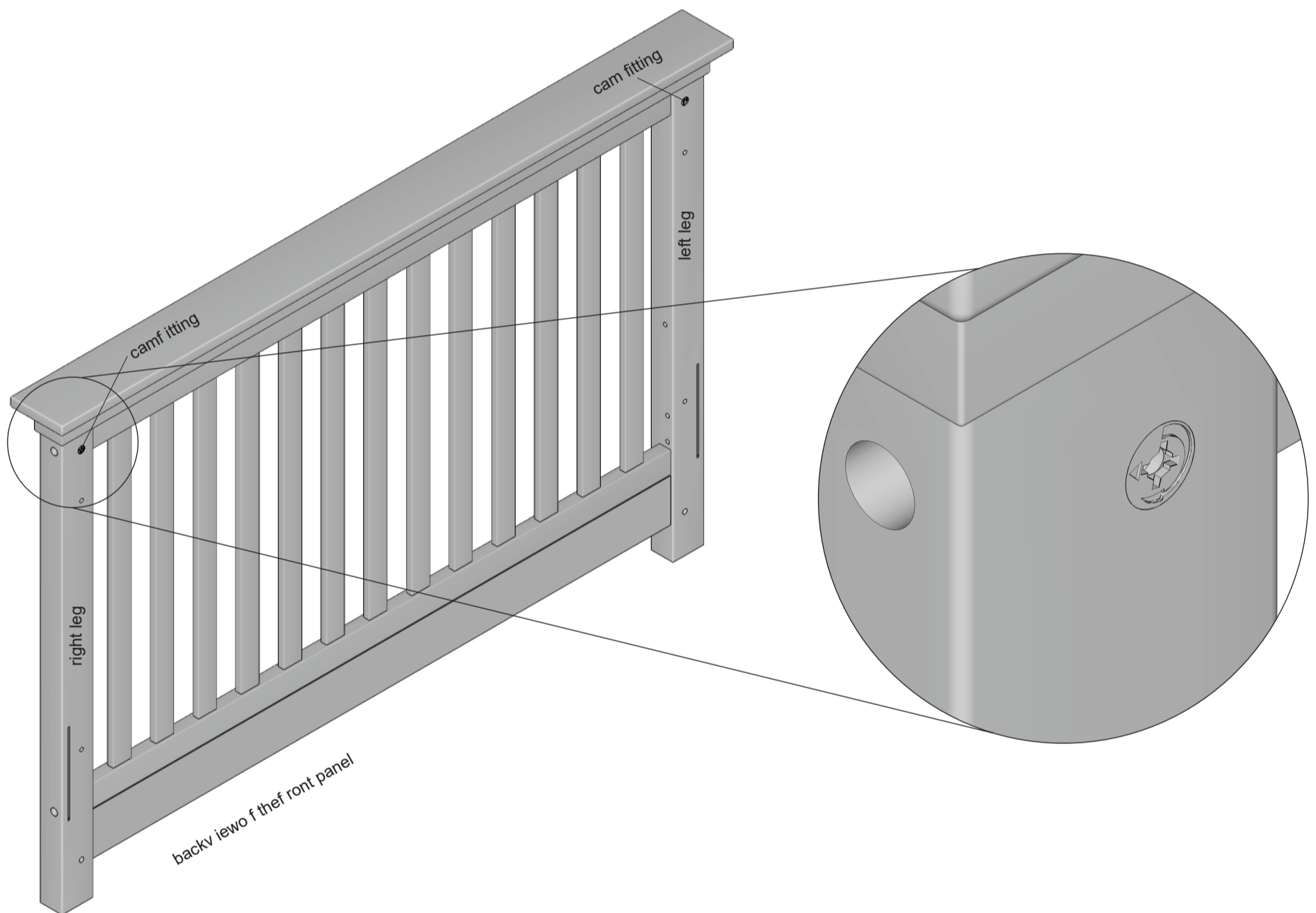


FIGURE D

STEP E

Using the supplied Allen wrench (1), completely unscrew all 4 Allen bolts & washers (x) (previously mounted in the factory), located 2 by 2 on the lateral sides of the legs. Afterwards, remove the middle panel resulted by pulling it upwards (see **FIGURE E**). Untighten the 2 screw-on dowels completely and set them aside for use in the next step. Store the middle panel and 2 of the 4 Allen bolts resulted in a proper place, making sure not to scratch the finish of the panel.

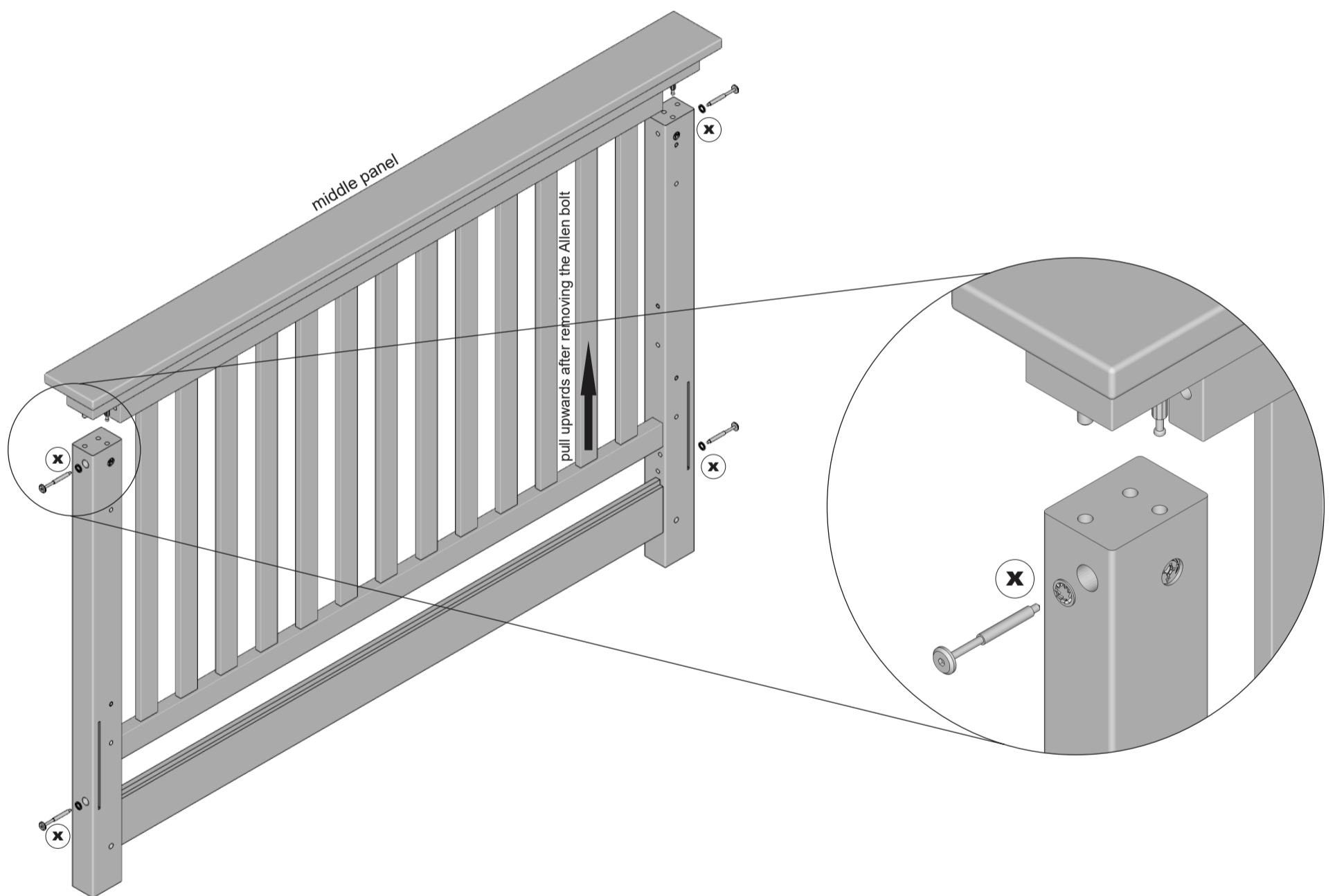


FIGURE E

STEP F

Place and tighten the previously unmounted screw-on dowels into the wooden blocks (**WB**). Position the wooden blocks on top of the legs and insert the tenons in their holes, making sure that the rounded metallic pieces are oriented as shown in **FIGURE D**, with the little arrow pointing upwards. Using the supplied Allen wrench (**1**), rotate both metallic pieces clockwise until the wooden blocks get stuck in their position. Do not over tighten the metallic parts.

Take the wooden rail and position it between the two legs, right above the bottom panel. Insert 2 of the remaining Allen bolts in the "x" marked holes and tighten them completely using the supplied Allen wrench (**1**).

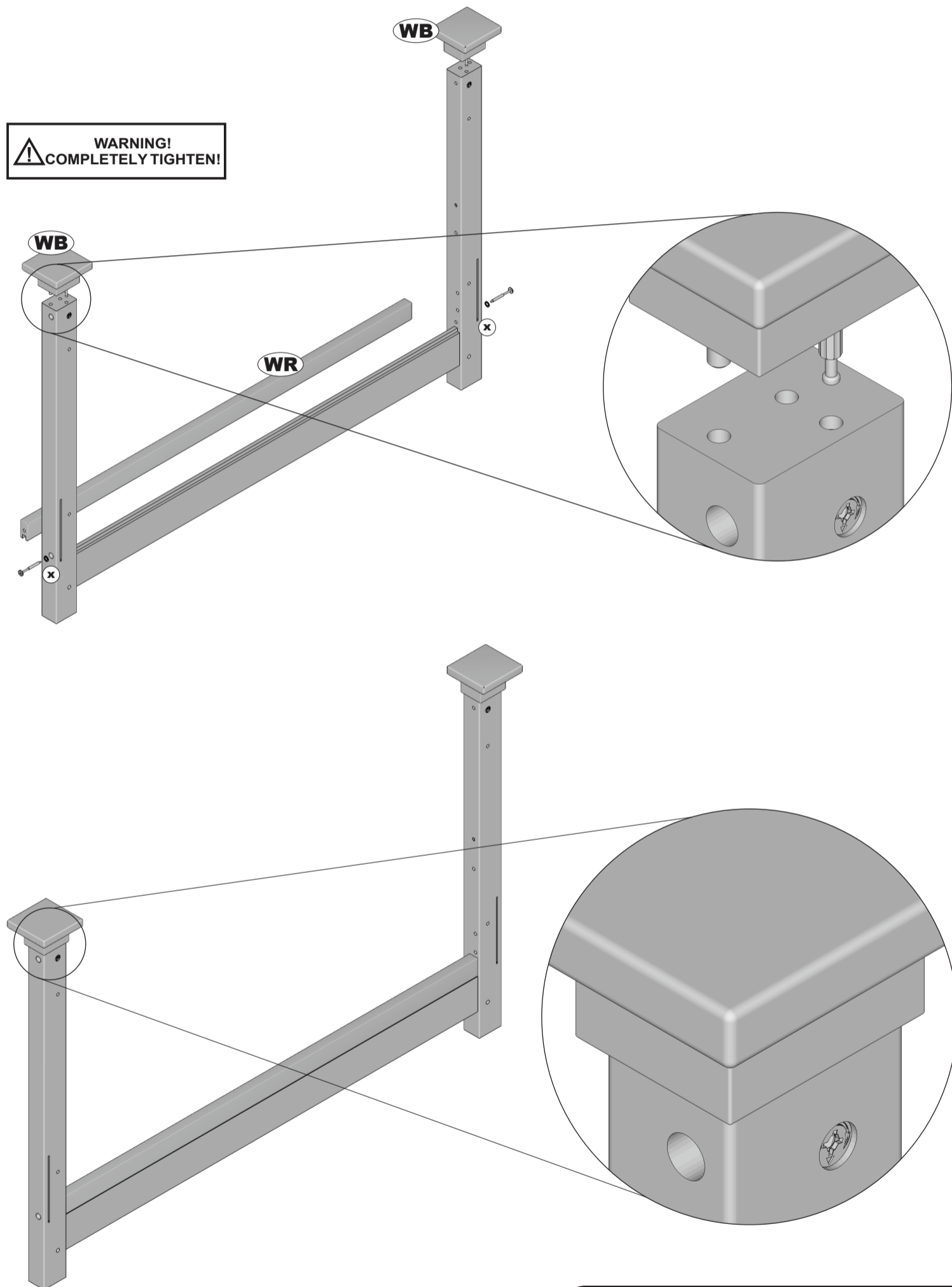
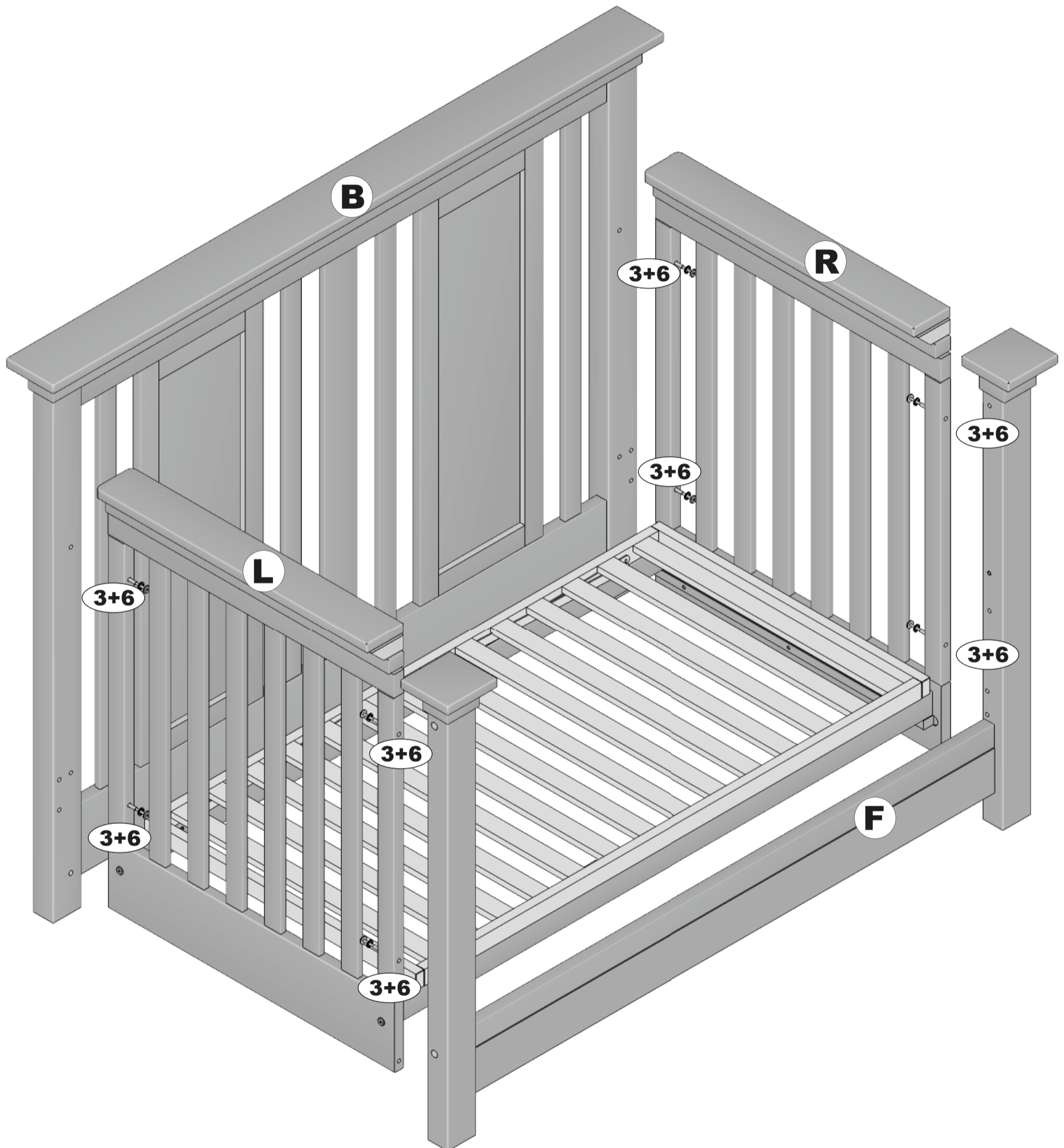


FIGURE F

WARNING: IN ORDER TO KEEP YOUR BABY SECURE AND SAFE AND TO AVOID POTENTIAL INJURY OR DEATH, IT IS **VERY IMPORTANT TO COMPLETELY TIGHTEN** BOTH BOLTS LISTED IN **STEP F**.

STEP G

Assemble the middle part of the crib resulted after completing **STEP C** with the back panel (**B**) and the front panel resulted after completing **STEP F**, using 8 Allen bolts (**3**), 8 washers (**6**) and the Allen wrench supplied (**1**). Now, completely tighten all 8 Allen bolts mentioned above.



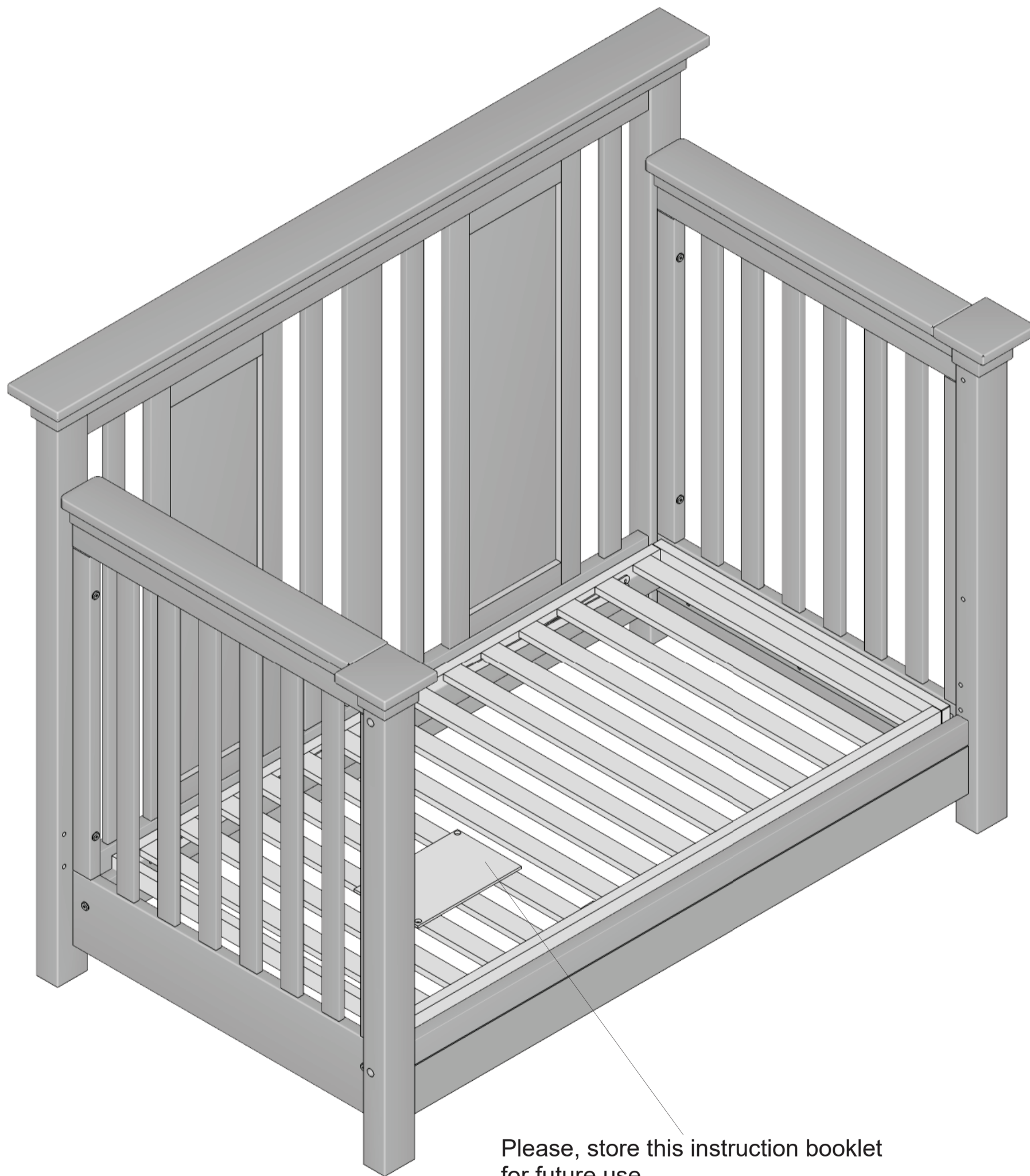
WARNING: IN ORDER TO KEEP YOUR BABY SECURE AND SAFE AND TO AVOID POTENTIAL INJURY OR DEATH, IT IS **VERY IMPORTANT TO COMPLETELY TIGHTEN ALL 8 ALLEN BOLTS LISTED IN STEP G.**

FIGURE G

STARTING FROM SCRATCH

*FOLLOW **STEPS 1 TO 4** FROM THE **CRIB ASSEMBLY INSTRUCTIONS**. WHEN YOU REACH STEP 3, PLEASE ADJUST THE MATTRESS SUPPORT TO ITS LOWEST POSITION (SEE **STEPS B & C** FOR MORE DETAILS).

* FOLLOW **STEPS D TO G** FROM THE **DAY BED OPTION ASSEMBLY INSTRUCTIONS**.



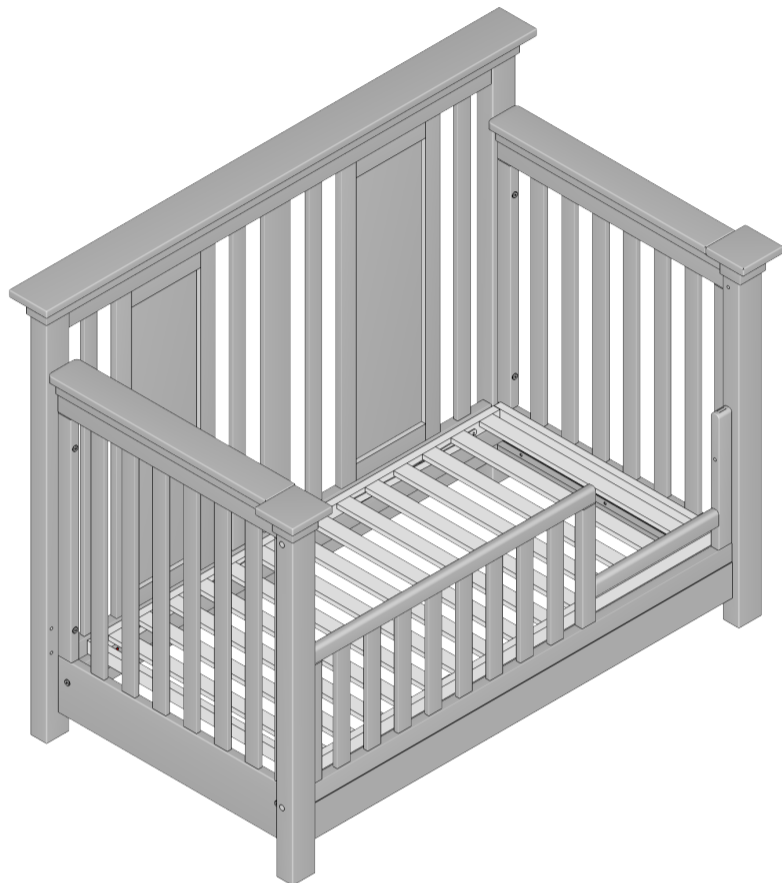
Please, store this instruction booklet for future use.

FIGURE H

5501/5502 KARISMA

TODDLER RAIL OPTION

(THE TODDLER RAIL IS SOLD SEPARATELY)



NOTE:

YOU CAN ATTACH A TODDLER RAIL TO YOUR CRIB WITH THE PURCHASE OF ROMINA FURNITURE ITEM **TR 5501** (TODDLER RAIL 5501).

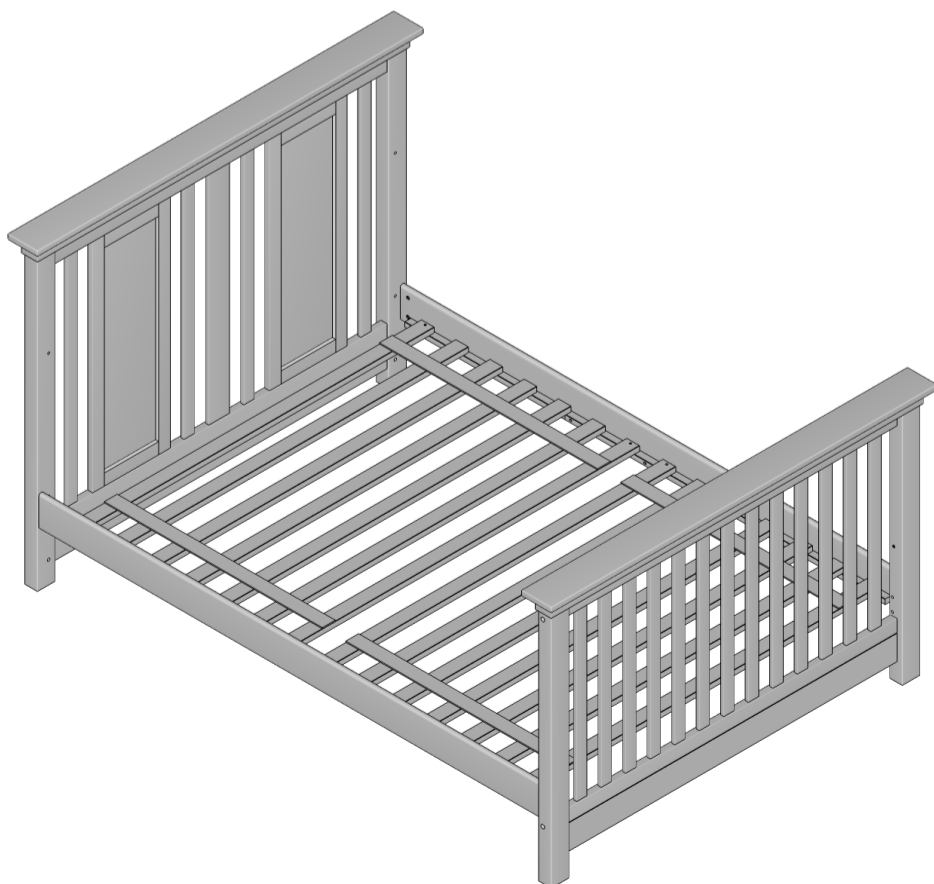
ASSEMBLY INSTRUCTIONS FOR THE TODDLER RAIL CAN BE FOUND INSIDE OF THE TR 5501 PACKAGE.

PLEASE CONTACT ROMINA FURNITURE OR YOUR LOCAL DISTRIBUTOR FOR MORE INFORMATION ON THE TODDLER RAIL.

5501/5502 KARISMA

FULL SIZE BED OPTION

(THE CONVERSION KIT IS SOLD SEPARATELY)



NOTE:

YOUR 5501 CONVERTIBLE CRIB CAN BE CONVERTED INTO A FULL SIZE BED WITH THE PURCHASE OF ROMINA ITEM CODE **CKC 5501** (CONVERSION KIT FOR CRIBS, CODE 5501).

THE ASSEMBLY INSTRUCTIONS FOR THE FULL SIZE BED OPTION CAN BE FOUND INSIDE OF THE **CKC 5501** PACKAGE.

PLEASE CONTACT ROMINA FURNITURE OR YOUR LOCAL DISTRIBUTOR FOR MORE INFORMATION ON THE CONVERSION KIT.

CAUTION:

*WHEN A CHILD'S HEIGHT REACHES 35 INCHES, THE CHILD SHOULD BE PLACED IN A YOUTH OR REGULAR BED.

*USE OF A VAPORIZER NEAR FURNITURE WILL CAUSE WOOD TO SWELL AND FINISH TO PEEL.

*DO NOT STORE CRIB IN AREAS WHERE TEMPERATURES AND CONDITIONS ARE EXTREME, SUCH AS HOT ATTICS OR COLD DAMP BASEMENTS. BOTH OF THESE EXTREME CONDITIONS MAY CAUSE THE WOOD TO CRACK AND GLUE JOINTS TO LOOSEN RESULTING IN STRUCTURAL FAILURE.

*SHOULD IT BECOME DESIRABLE TO REFINISH THIS CRIB IN LATER YEARS, THE MANUFACTURER WARNS THAT ANY MATERIAL USED SHOULD BE NON-TOXIC. REGULAR CLEANING WITH MILD SOAP ON A SOFT CLOTH, FOLLOWED BY A CLEAN DAMP CLOTH, THEN A DRY CLOTH, WILL PRESERVE THE ORIGINAL LUSTER AND BEAUTY OF THIS FINE FINISH.

*THIS CRIB IS NOT EQUIPPED TO HANDLE THE EXCESS WEIGHT OF A CRIB WATER MATTRESS.

*LIFT SLIGHTLY WHEN MOVING ON CARPETING TO PREVENT LEG BREAKAGE.

ENSURE A SAFE ENVIRONMENT FOR THE CHILD BY CHECKING REGULARLY, BEFORE PLACING THE CHILD IN THE CRIB, THAT EVERY COMPONENT IS PROPERLY AND SECURELY IN PLACE.

MAINTENANCE OF YOUR ROMINA CONVERTIBLE CRIB:

AFTER YOU FINISH ASSEMBLING YOUR CRIB, BE SURE THAT ALL BOLTS HAVE BEEN TIGHTENED SECURELY. YOU MUST CHECK ALL BOLTS PERIODICALLY AND RE-TIGHTEN AS NECESSARY. PERIODICALLY INSPECT CRIB FOR DAMAGED HARDWARE, LOOSE JOINTS OR SPLINTERED EDGES.

DO NOT USE CRIB IF PARTS ARE DAMAGED OR BROKEN! CONTACT YOUR DEALER OR **ROMINA FURNITURE** FOR ASSISTANCE AND REPLACEMENT PARTS. PLEASE BE SURE TO HAVE YOUR MODEL CODE WRITTEN DOWN BEFORE YOU MAKE CONTACT. THE MODEL CODE CAN BE FOUND ON A WHITE LABEL LOCATED ON THE INSIDE OF YOUR CRIB ON THE SIDE PANEL.

NEVER SUBSTITUTE PARTS OR MAKE ALTERATIONS TO YOUR CRIB!

Regular cleaning with mild soap on a soft cloth, followed by a clean damp cloth, then a dry cloth, will preserve the original luster and beauty of this fine finish of your Romina Furniture product.



Romina

Furniture

Good life from Day 1

Visit

www.rominafurniture.com

for updates, special offers and more new designs.