

Regular cleaning with mild soap on a soft cloth, followed by a clean damp cloth, then a dry cloth, will preserve the original luster and beauty of this fine finish of your Romina Furniture product.



Thank you for being one of our distinguished clients.

Romina[®] *Team*
Furniture

Visit
www.rominafurniture.com
for updates, special offers and more new designs.

THIS CRIB CONFORMS TO APPLICABLE REGULATIONS PROMULGATED BY THE CONSUMER PRODUCT SAFETY COMMISSION AND BY THE AMERICAN SOCIETY FOR TESTING AND MATERIALS

ASSEMBLY INSTRUCTIONS FOR YOUR 7510 STATIONARY CRIB



this picture shows how your crib should look like after completing assembly

WARNING: THE PROPER USE OF THIS CRIB IS IMPORTANT FOR YOUR BABY'S SAFETY. TO KEEP YOUR BABY SECURE AND SAFE, AND TO AVOID POTENTIAL INJURY OR DEATH, CAREFULLY READ AND FAMILIARIZE YOURSELF WITH ALL WARNINGS, CAUTIONS AND INSTRUCTIONS IN THIS BOOKLET. KEEP THIS INSTRUCTION BOOKLET FOR FUTURE USE.

DO NOT THROW THIS INSTRUCTION BOOKLET!

- * READ ALL INSTRUCTIONS BEFORE ASSEMBLING CRIB. KEEP INSTRUCTIONS FOR FUTURE USE.
- * NEVER USE PLASTIC SHIPPING BAGS OR OTHER PLASTIC FILM AS MATTRESS COVERS BECAUSE THEY CAN CAUSE SUFFOCATION.
- * INFANTS CAN SUFFOCATE IN GAPS BETWEEN CRIB SIDES AND A MATTRESS THAT IS TOO SMALL.

NOTE: THE STYLE OF YOUR CRIB OR OF YOUR MATTRESS SUPPORT MAY VARY FROM WHAT IS PICTURED IN THE INSTRUCTION SHEET

Romina[®]
Furniture

4300 Northlake Ct, Ste E, Charlotte, NC 28216
Phone: 980-585-1460 / contact@rominafurniture.com
www.rominafurniture.com

GENERAL FURNITURE CARE TIPS

- Wood, like any natural material is likely to present variations of grain and texture which will result in slight color variations or richness in the finish. These differences make each Romina Furniture item as beautiful and unique as you and your baby are.
- To preserve the initial appearance and functionality of your furniture, it is recommended that all furniture items be used in accordance with their intended design.
- Special water-based finishes are used to make this furniture safe for your baby. These finishes may be more delicate than those used on adult furniture thus requiring careful maintenance.
- Constant rubbing or mechanical interaction with sharp/hard objects such as belt buckles, jeans' zippers or buttons will likely damage the finish on your furniture. When placing or retrieving items onto the furniture, always set them down and pick them up, do not "slide" them. Items placed onto the horizontal surfaces must be moved/rotated to prevent discoloration in the finish.
- Exposure to extreme variations of environmental conditions such as humidity and temperature can affect the finish quality due to wood sudden expansion or shrinkage. It is recommended that the room temperature be maintained in between 65 and 75 degrees Fahrenheit and a relative humidity of 35 – 40%. Do not place items which are too hot or too cold directly onto the finished surfaces!
- Use caution when using a humidifier or vaporizer. Excessive moisture is harmful to the furniture causing the finish to peel and the wood to warp.
- Wipe up spills promptly. If water or other liquids stay in contact with the furniture for a long period of time, they can cause the finish to turn white or discolor. Alcohol or solvent containing substances or materials will permanently damage the finish.
- In general, furniture should not be placed in front or too close to air-conditioning outlets, fireplaces, heaters or humidifiers. Direct sunlight and ultraviolet rays will cause colors to fade, affect the luster and smoothness of the finish and in most cases may cause hairline cracks in the finish. White finishes will yellow naturally over time; exposure to direct sunlight will accelerate this natural process. Please note that all wood essences will darken over time along with the natural aging process which is not considered to be a quality defect.
- To clean the furniture, use a damp cloth immediately followed by wiping with a dry cloth. Do not allow water to stay in contact with the finish as it will damage the finish.
- If you need to put your furniture into storage for any period of time, avoid placing it in damp basements or hot attics. Air flow around and under the furniture should be allowed. Do not place furniture too close to walls, do not stack anything on it and do not cover it entirely.
- When using a vinyl changing pad or similar plastic accessories, make sure to use a fabric felt underneath. Certain plastics have ingredients that can react with and damage the finish. It is recommended to rotate the changing pad's position frequently to avoid finish discoloration.

⚠️ WARNING! INFANTS CAN SUFFOCATE ON SOFT BEDDING. NEVER ADD A PILLOW OR COMFORTER. NEVER PLACE ADDITIONAL PADDING UNDER AN INFANT. FAILURE TO FOLLOW THESE WARNINGS AND ASSEMBLY INSTRUCTIONS COULD RESULT IN SERIOUS INJURY OR DEATH.

CAUTION: ANY MATTRESS USED IN THIS CRIB SHALL BE AT LEAST 27 1/4 BY 51 5/8 IN. WITH A THICKNESS NOT EXCEEDING 6 IN.

- TO REDUCE THE RISK OF SIDS, PEDIATRICIANS RECOMMEND HEALTHY INFANTS BE PLACED ON THEIR BACKS TO SLEEP, UNLESS OTHERWISE ADVISED BY YOUR PHYSICIAN.

STRANGULATION HAZARD:

- STRINGS CAN CAUSE STRANGULATION! **DO NOT** PLACE ITEMS WITH A STRING AROUND A CHILD'S NECK, SUCH AS HOOD STRINGS OR PACIFIER CORDS. **DO NOT** SUSPEND STRINGS OVER A CRIB OR ATTACH STRINGS TO TOYS.
- TO HELP PREVENT STRANGULATION TIGHTEN ALL FASTENERS. A CHILD CAN TRAP PARTS OF THE BODY OR CLOTHING ON LOOSE FASTENERS.
- **DO NOT** PLACE CRIB NEAR WINDOW WHERE CORDS FROM BLINDS OR DRAPES MAY STRANGLE A CHILD.

FALL HAZARD:

- WHEN CHILD IS ABLE TO PULL TO A STANDING POSITION, SET MATTRESS TO LOWEST POSITION AND REMOVE BUMPER PADS, LARGE TOYS AND OTHER OBJECTS THAT COULD SERVE AS STEPS FOR CLIMBING OUT.
- STOP USING CRIB WHEN CHILD BEGINS TO CLIMB OUT OR REACHES THE HEIGHT OF 35 IN. (89 CM).

- CHECK THIS PRODUCT FOR DAMAGED HARDWARE, LOOSE JOINTS, LOOSE BOLTS OR OTHER FASTENERS, MISSING PARTS, OR SHARP EDGES BEFORE AND AFTER ASSEMBLY AND FREQUENTLY DURING USE. SECURELY TIGHTEN LOOSE BOLTS AND OTHER FASTENERS. **DO NOT** USE CRIB IF ANY PARTS ARE MISSING, DAMAGED OR BROKEN. CONTACT **ROMINA FURNITURE** FOR REPLACEMENT PARTS AND INSTRUCTIONAL LITERATURE IF NEEDED. **DO NOT** SUBSTITUTE PARTS.

- IF REFINISHING, USE AN ANON-TOXIC FINISH SPECIFIED FOR CHILDREN'S PRODUCTS.

- FOLLOW WARNINGS ON ALL PRODUCTS IN A CRIB.

- READ ALL INSTRUCTIONS BEFORE ASSEMBLING CRIB. **KEEP INSTRUCTIONS FOR FUTURE USE.** A STORAGE POUCH & 2 PLASTIC TIES HAVE BEEN PROVIDED IN THE HARDWARE BAG. ATTACH POUCH TO MATTRESS SUPPORT WITH PLASTIC TIES AND STORE THE INSTRUCTIONS THERE.

- **NEVER** USE PLASTIC SHIPPING BAGS OR OTHER PLASTIC FILM AS MATTRESS COVERS BECAUSE THEY CAN CAUSE SUFFOCATION.

- INFANTS CAN SUFFOCATE IN GAPS BETWEEN CRIB SIDES AND A MATTRESS THAT IS TOO SMALL.

- **DO NOT** USE A WATER MATTRESS WITH THIS CRIB.

- BEFORE USING THIS CRIB RECHECK ALL SCREWS AND BOLTS TO BE SURE THEY ARE FASTENED SECURELY. A PERIODIC CHECK SHOULD BE MADE TO BE SURE THESE ITEMS REMAIN TIGHT.

- TO AVOID HEAD INJURY, **DO NOT** ALLOW ANY CHILD TO PLAY UNDERNEATH CRIB.

CAUTION:

*WHEN A CHILD'S HEIGHT REACHES 35 INCHES, THE CHILD SHOULD BE PLACED IN A YOUTH OR REGULAR BED.

*USE OF A VAPORIZER NEAR FURNITURE WILL CAUSE WOOD TO SWELL AND FINISH TO PEEL.

*DO NOT STORE CRIB IN AREAS WHERE TEMPERATURES AND CONDITIONS ARE EXTREME, SUCH AS HOT ATTICS OR COLD DAMP BASEMENTS. BOTH OF THESE EXTREME CONDITIONS MAY CAUSE THE WOOD TO CRACK AND GLUE JOINTS TO LOOSEN RESULTING IN STRUCTURAL FAILURE.

*SHOULD IT BECOME DESIRABLE TO REFINISH THIS CRIB IN LATER YEARS, THE MANUFACTURER WARNS THAT ANY MATERIAL USED SHOULD BE NON-TOXIC. REGULAR CLEANING WITH MILD SOAP ON A SOFT CLOTH, FOLLOWED BY A CLEAN DAMP CLOTH, THEN A DRY CLOTH, WILL PRESERVE THE ORIGINAL LUSTER AND BEAUTY OF THIS FINE FINISH.

*THIS CRIB IS NOT EQUIPPED TO HANDLE THE EXCESS WEIGHT OF A CRIB WATER MATTRESS.

*LIFT SLIGHTLY WHEN MOVING ON CARPETING TO PREVENT LEG BREAKAGE.

ENSURE A SAFE ENVIRONMENT FOR THE CHILD BY CHECKING REGULARLY, BEFORE PLACING THE CHILD IN THE CRIB, THAT EVERY COMPONENT IS PROPERLY AND SECURELY IN PLACE.

MAINTENANCE OF YOUR ROMINA CONVERTIBLE CRIB:

AFTER YOU FINISH ASSEMBLING YOUR CRIB, BE SURE THAT ALL BOLTS HAVE BEEN TIGHTENED SECURELY. YOU MUST CHECK ALL BOLTS PERIODICALLY AND RE-TIGHTEN AS NECESSARY. PERIODICALLY INSPECT CRIB FOR DAMAGED HARDWARE, LOOSE JOINTS OR SPLINTERED EDGES.

DO NOT USE CRIB IF PARTS ARE DAMAGED OR BROKEN! CONTACT YOUR DEALER OR **ROMINA FURNITURE** FOR ASSISTANCE AND REPLACEMENT PARTS. PLEASE BE SURE TO HAVE YOUR MODEL CODE WRITTEN DOWN BEFORE YOU MAKE CONTACT. THE MODEL CODE CAN BE FOUND ON A WHITE LABEL LOCATED ON THE INSIDE OF YOUR CRIB ON THE SIDE PANEL.

NEVER SUBSTITUTE PARTS OR MAKE ALTERATIONS TO YOUR CRIB!

TODDLER RAIL OPTION OF YOUR 7510 CONVERTIBLE CRIB **(THE TODDLER RAIL IS SOLD SEPARATELY)**



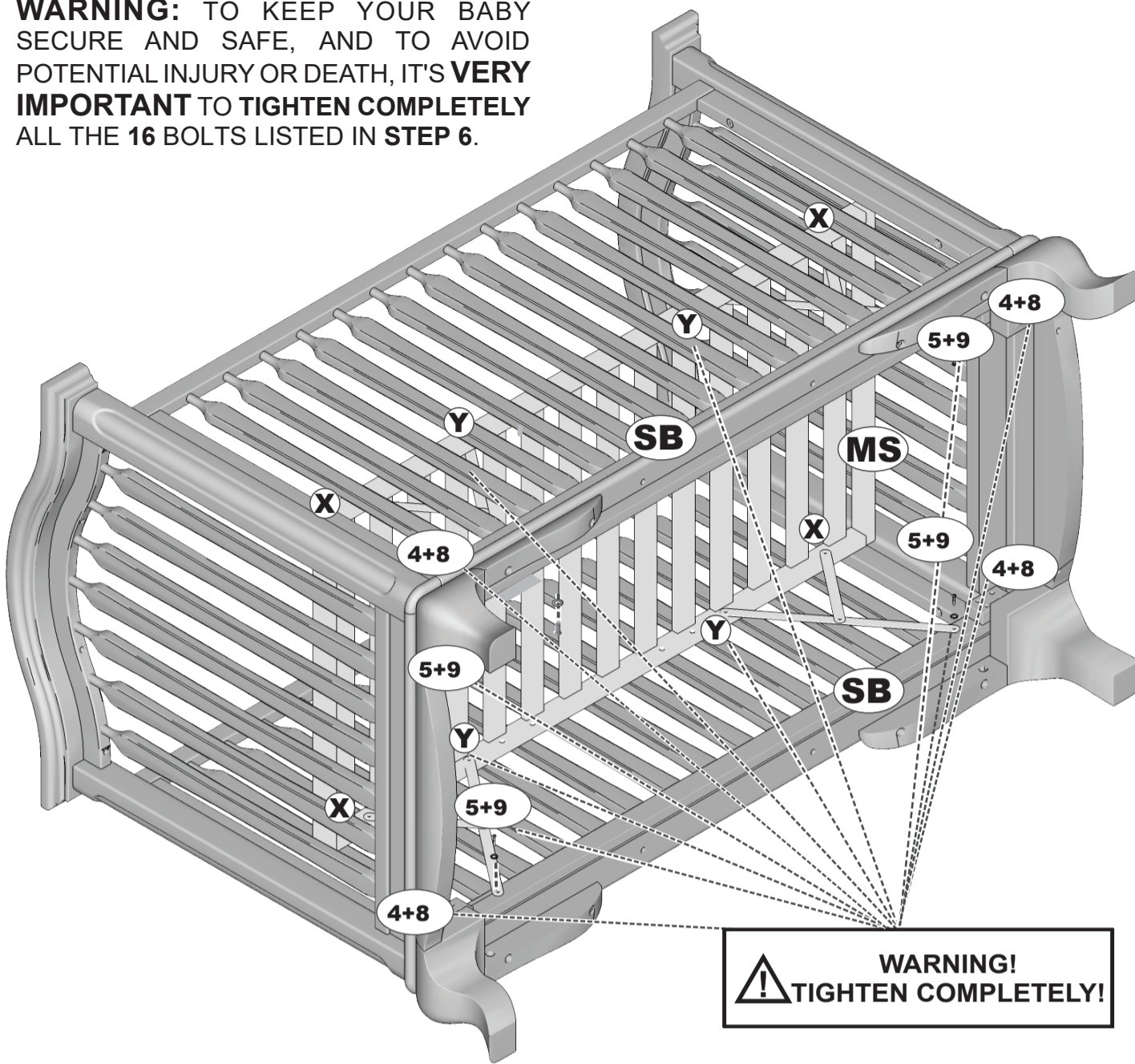
NOTE: YOU CAN ATTACH A TODDLER RAIL TO YOUR CRIB WITH THE PURCHASE OF ROMINA FURNITURE ITEM **TR 7510 (TODDLER RAIL 7510)**.

ASSEMBLY INSTRUCTIONS FOR TODDLER RAIL CAN BE FOUND INSIDE OF TR 7510 PACKAGE.

PLEASE, CONTACT ROMINA FURNITURE OR YOUR LOCAL DISTRIBUTOR FOR MORE INFORMATION.

NOTE: THE STYLE OF YOUR CRIB, MATTRESS SUPPORT OR TODDLER RAIL MAY VARY FROM WHAT IS PICTURED IN THE INSTRUCTION SHEET

WARNING: TO KEEP YOUR BABY SECURE AND SAFE, AND TO AVOID POTENTIAL INJURY OR DEATH, IT'S **VERY IMPORTANT TO TIGHTEN COMPLETELY** ALL THE 16 BOLTS LISTED IN **STEP 6**.



STEP 6 (Two adults are required to complete this step)

Take your crib as resulted after completing **STEP 4** and carefully place it on the floor with one of the fixed sides (**FS**) on the ground, taking care not to scratch its finish. Using the supplied Allen wrench (**1**), **you must tighten completely** all the 4 smaller Allen bolts (**4+8**) used to fix the stabilizing bars (see **FIGURE 6**). Mount the mattress support (**MS**) on the stabilizing bars using all the four smaller rounded head bolts and washers (**4+8**) supplied and a Phillips screwdriver (not supplied). The lock washer must be attached to the bolt before inserting the bolt through the metallic bracket of the mattress support. Now, **you must tighten completely** all the 12 bolts (**X, Y, 5+9**) involved in mattress support fixing using a Phillips screwdriver (not supplied) (see **FIGURE 6**).

REMINDER

You have a total of (16) bolts, distributed as following:
 - 4 smaller Allen bolts (**4+8**) in the stabilizing bars (**SB**);
 - 4 rounded head bolts (**5+9**) in the stabilizing bars (**SB**)
 - 8 rounded head bolts (**X, Y**) in the mattress support (**MS**).

STEP 7 (Two adults are required to complete this step)

Turn your crib with its feet back on the floor. Attach the storage pouch supplied to the mattress support using two plastic ties (also supplied). Store this instruction booklet in the storage pouch for future use. After completing assembly, your crib should look like the one depicted on the first page of this manual

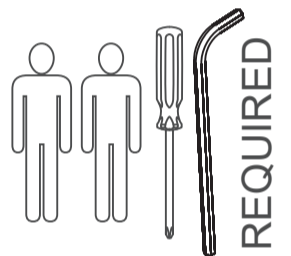


FIGURE 6

Please locate and confirm that you have the following parts:

- EP. end panel = 2
- FS. fixed side = 2
- SB. stabilizing bar = 2
- MS. mattress support = 1
- WO. wooden ornament = 2 for the left side + 2 for the right side

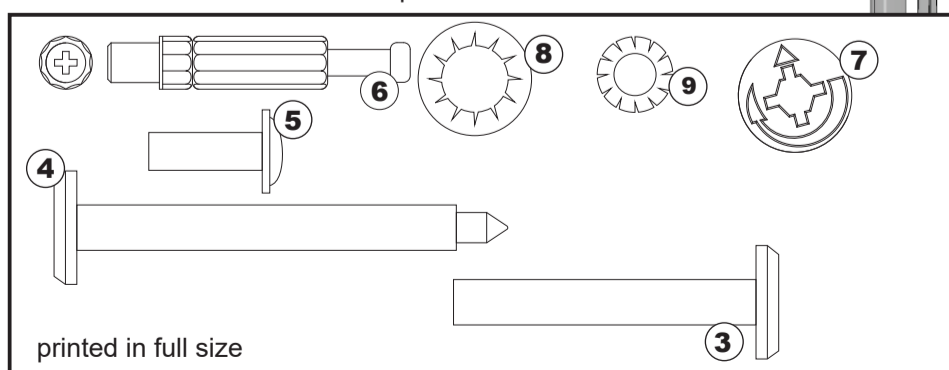
Note: The letters which identifies a part are the initials of the respective part name (such method is employed to facilitate parts recognition between the drawings and the parts list).

one bag of hardware with the following:

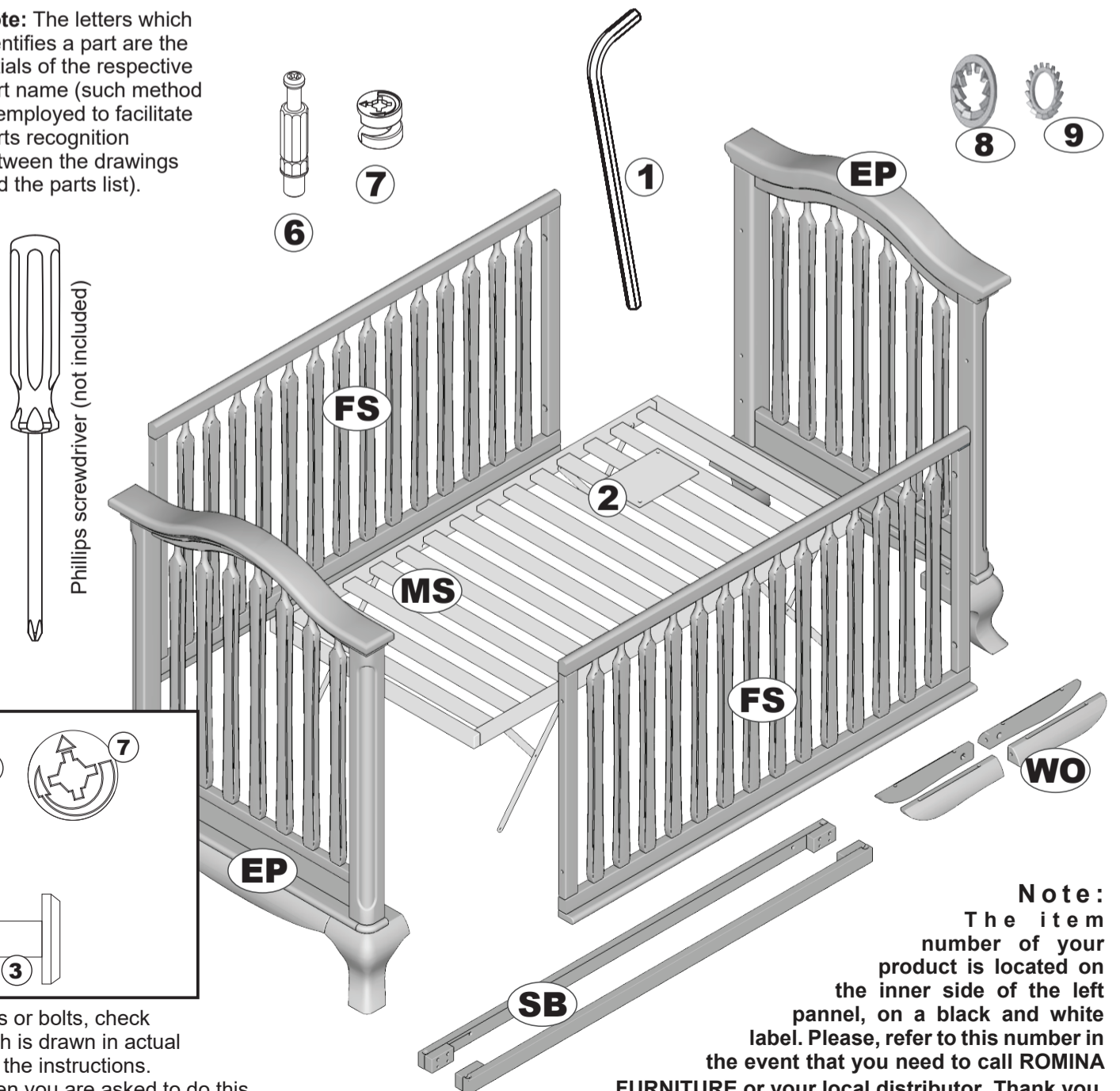
- 1. Allen wrench = 1
- 2. one storage pouch and two plastic ties
- 3. Allen bolt (1 1/2" or 40 mm) w/o centering tip = 12
- 4. Allen bolt (1 31/32" or 50 mm) = 8
- 5. rounded head bolt (19/32" or 15 mm) = 4
- 6. dowel = 4
- 7. cam fitting = 4
- 8. bigger "internal star" lock washer = 12
- 9. smaller "external star" lock washer = 4

Required tools: Allen wrench (supplied), Phillips screwdriver (not included), flat screwdriver (not included).

CAUTION: Do not use a power screwdriver which can cause screws to break or strip



Note: During the assembly process whenever using screws or bolts, check each by placing the screw / bolt on the upper diagram which is drawn in actual size. Be sure to use the proper size and shape specified in the instructions. Be sure to **TIGHTEN COMPLETELY** the screws / bolts when you are asked to do this.



STEP 1

Take the fixed sides of your crib (FS) and attach them to the end panels (EP) using 8 bigger Allen bolts (4) and 8 washers (8) .

Start the threads by hand to assure you don't strip the threads, then, use the supplied Allen wrench (1).

Do not tighten the bolts completely at this step, you will be asked to do this later.

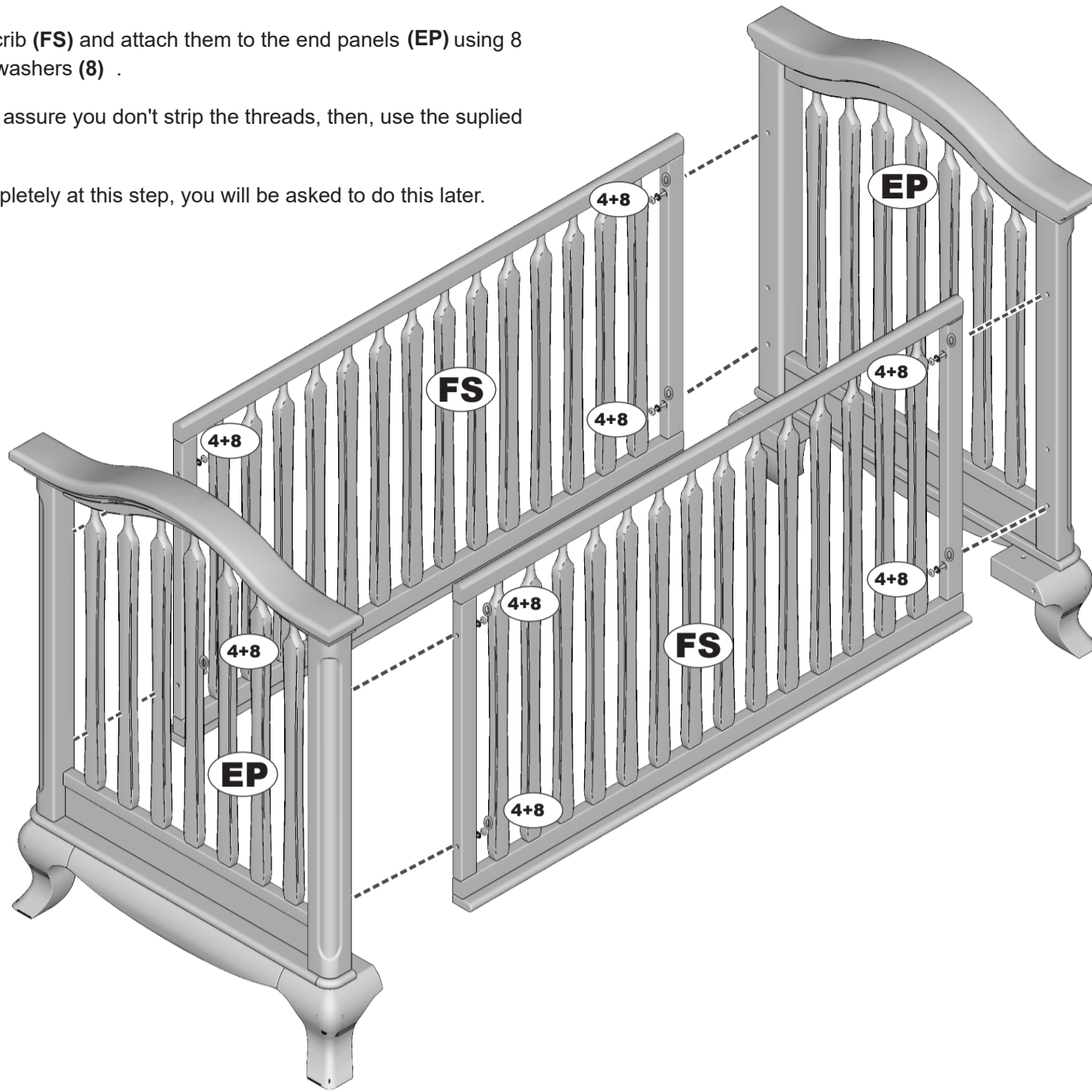


FIGURE 1

STEP 5 (One adult is required to complete this step)

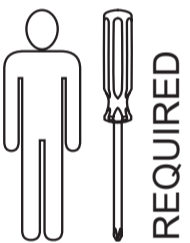
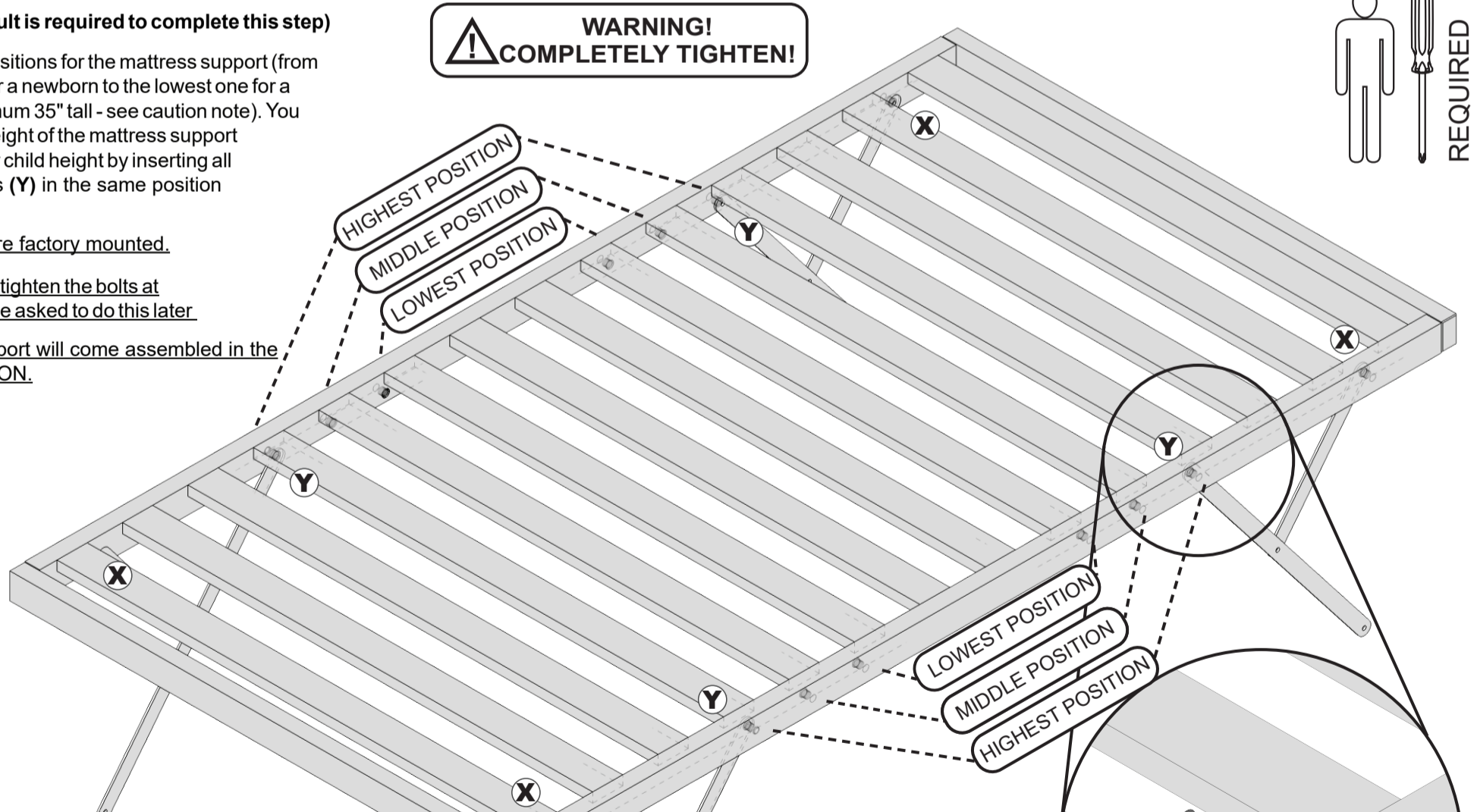
There are three positions for the mattress support (from the highest one for a newborn to the lowest one for a child that is maximum 35" tall - see caution note). You must adjust the height of the mattress support depending of your child height by inserting all four bolts and nuts (Y) in the same position (see FIGURE 5).

Bolt (X) and (Y) are factory mounted.

Do not completely tighten the bolts at this step, you will be asked to do this later.

The mattress support will come assembled in the LOWEST POSITION.

WARNING!
COMPLETELY TIGHTEN!



ADJUSTING THE HEIGHT OF YOUR MATTRESS SUPPORT

To adjust the vertical position of your mattress support you must remove all the four bolts & washers (Y) loosen all the eight bolts (5+9, X), lower the frame and insert the bolts & washers (Y) back into the corresponding holes, according to the desired height (see FIGURE 5) Completely tighten all bolts.

Your crib is designed in such a manner that, when the mattress support is adjusted to it's lowest position, the mattress support frame must be placed directly over the stabilizing bars. Before tighten the bolts, you must slightly press the mattress support frame to make sure this position is achieved.

WARNING: TO KEEP YOUR BABY SECURE AND SAFE, AND TO AVOID POTENTIAL INJURY OR DEATH, IT'S VERY IMPORTANT TO TIGHTEN COMPLETELY ALL THE 12 BOLTS (X), (Y) & (5+9) AFTER YOU HAVE ADJUSTED THE HEIGHT OF YOUR MATTRESS SUPPORT.

NOTE: THE STYLE OF YOUR CRIB, METALLIC BRACKETS OR MATTRESS SUPPORT MAY VARY FROM WHAT IS PICTURED IN THE INSTRUCTION SHEET

FIGURE 5

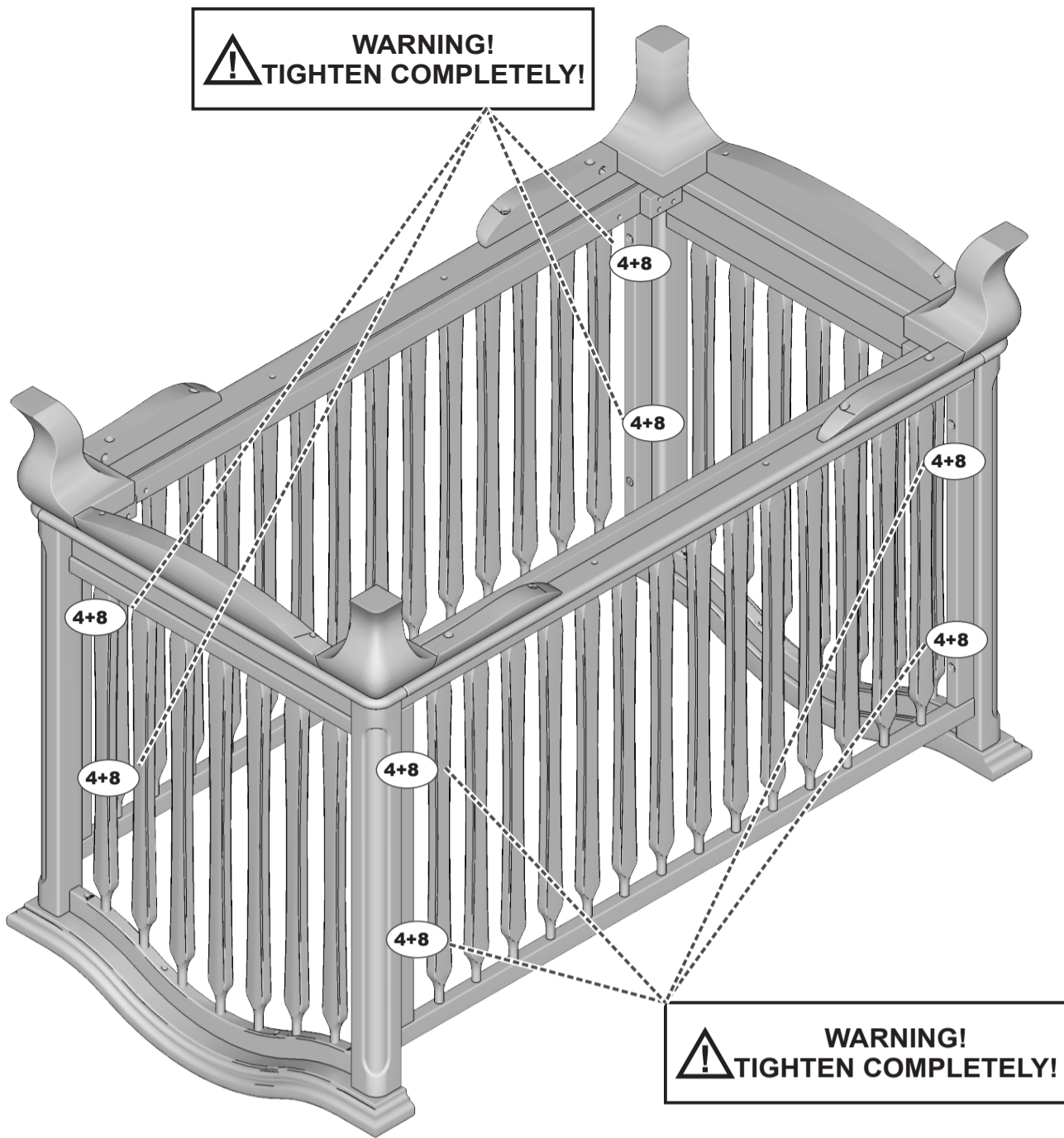


FIGURE 4

STEP 4

Using the supplied Allen wrench (1), you must tighten **completely** all the 8 bigger Allen bolts (4+8) involved in stationary sides fixing, remained untighten from **STEP 1** (see **FIGURE 4**).

REMINDER

You have a total of 8 Allen bolts, distributed as following:
 - 4 bigger bolts (4+8) in the first fixedside (FS);
 - 4 bigger bolts (4+8) in the second fixedside (FS).

WARNING: TO KEEP YOUR BABY SECURE AND SAFE, AND TO AVOID POTENTIAL INJURY OR DEATH, IT'S **VERY IMPORTANT TO TIGHTEN COMPLETELY** ALL THE 8 ALLEN BOLTS LISTED IN **STEP 4**.



STEP 2 (Two adults are required to complete this step)

Take your crib as resulted after completing **STEP 1** and carefully place it with one of the fixedsides (FS) on the floor, taking care not to scratch its finish. Then, using four Allen bolts (3) and 4 washers (8) attach the stabilizing bars to the end panels (EP). Be sure that the drilled face of the stabilizing bars faces towards the inside of the crib (follow the instructions attached to the stabilizing bar).

Start the threads by hand to assure you don't strip the threads, then, use the supplied Allen wrench (1).

Do not tighten the bolts completely at this step, you will be asked to do this later.

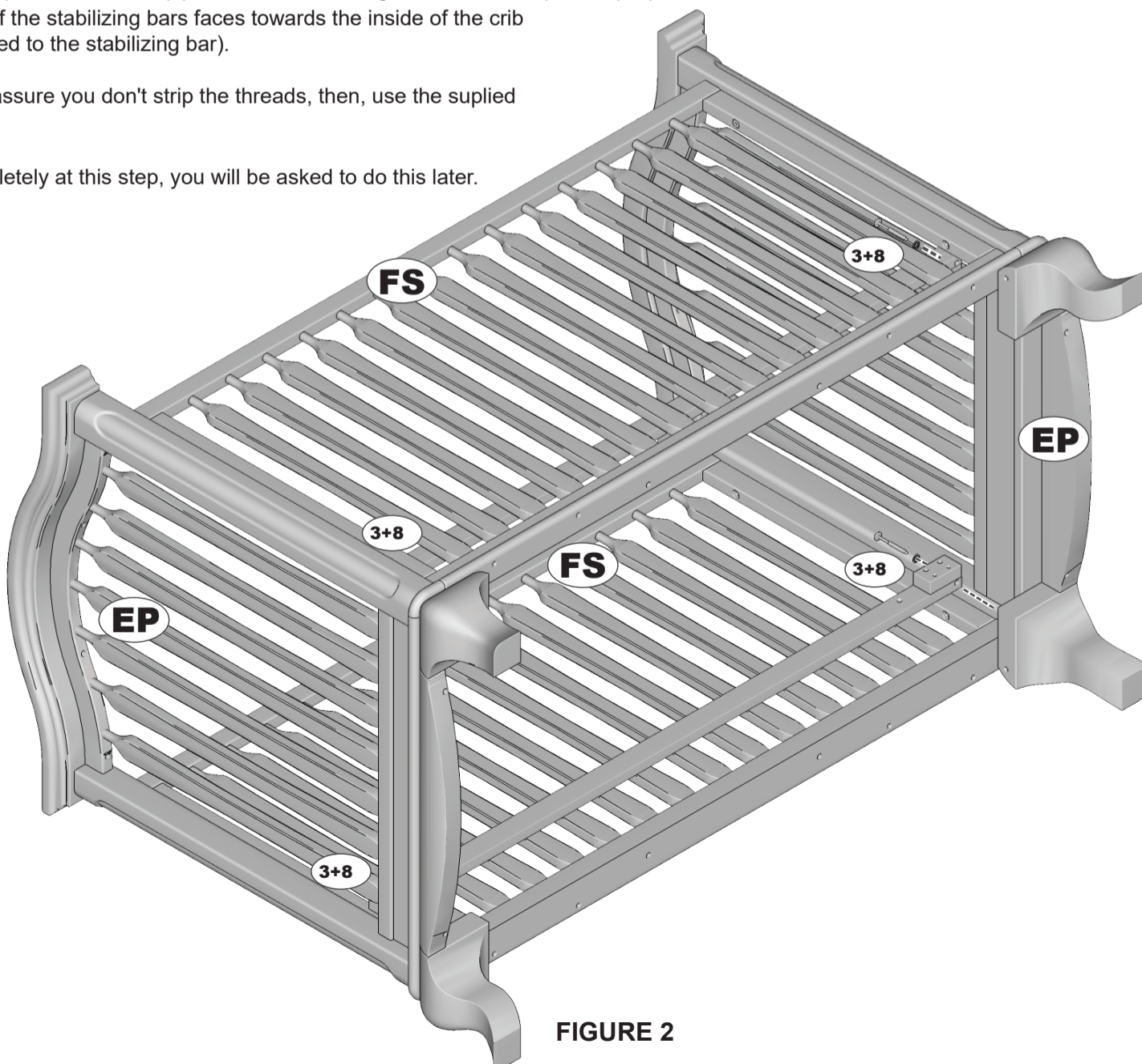
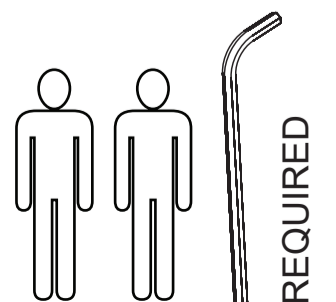
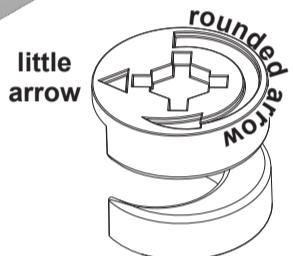
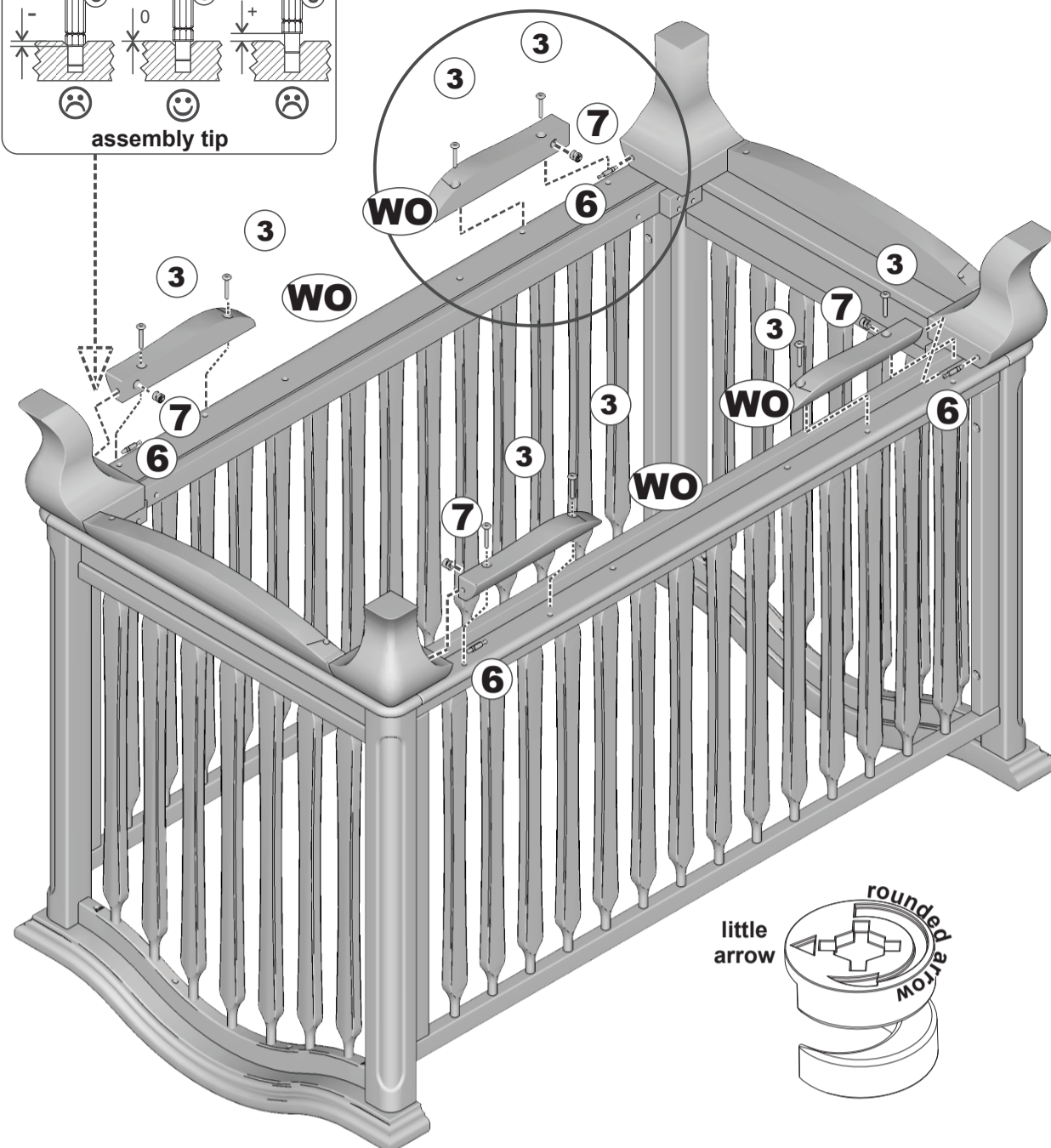
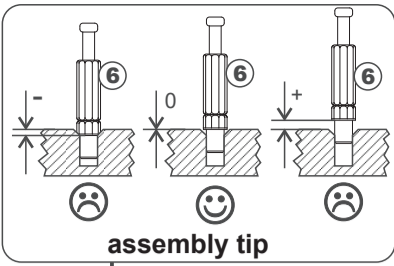


FIGURE 2





STEP 3 (Two adults are required to complete this step)

Take your crib as resulted after completing **STEP 2** and carefully place it with its feet on top, taking care not to scratch its finish. Then, using all the eight smaller Allen bolts(10) all the four dowels (6) and all the four cam fittings (7), attach the wooden ornaments (WO) to the fixed sides (FS) and the end panels (EP), following the next steps (listed on the next page too):

- A)** using a Phillips screwdriver (not supplied) or just the hand, insert a dowel (6) into one crib's foot (please see the assembly tip for dowel correct positioning);
 - B)** attach the wooden ornament (WO) to the end panel (EP), inserting the dowel (6) into the hole found on the smaller side of the wooden ornament;
 - C)** slightly pressing the wooden ornament against the crib's foot, insert the cam fitting (7) into the inner face hole of the wooden ornament, taking care that the little arrow of the cam is pointing to the crib's foot (parallel to the dowel's direction)
 - D)** insert the smaller Allen bolts (10) starting the threads by hand. Do not tighten the bolts completely at this moment, you will be asked to do this later.
- Adjust the position of the wooden ornament to follow the lines of the crib's foot by slightly moving the ornament or the fixed side (all the bolts involved in ornament / fixed side fixing are not completely tighten at this time) then using the supplied Allen wrench (1) and moderate force, slightly rotate the cam fitting (7) clockwise (see the cam's rounded arrow) by about 90 deg to 120 deg until become tight. **Don't overtight the cam! This is not a fixture involved in your child safety.** Again, using the supplied Allen wrench (1) and moderate force, tighten the two smaller Allen bolts (10)

Repeat the above steps for the rest of the three wooden ornaments.

See the next page for a detailed view of a wooden ornament accompanied by the same steps described above.

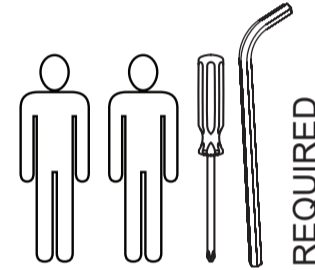
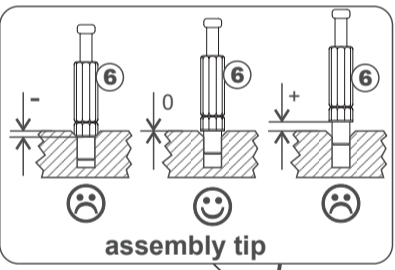
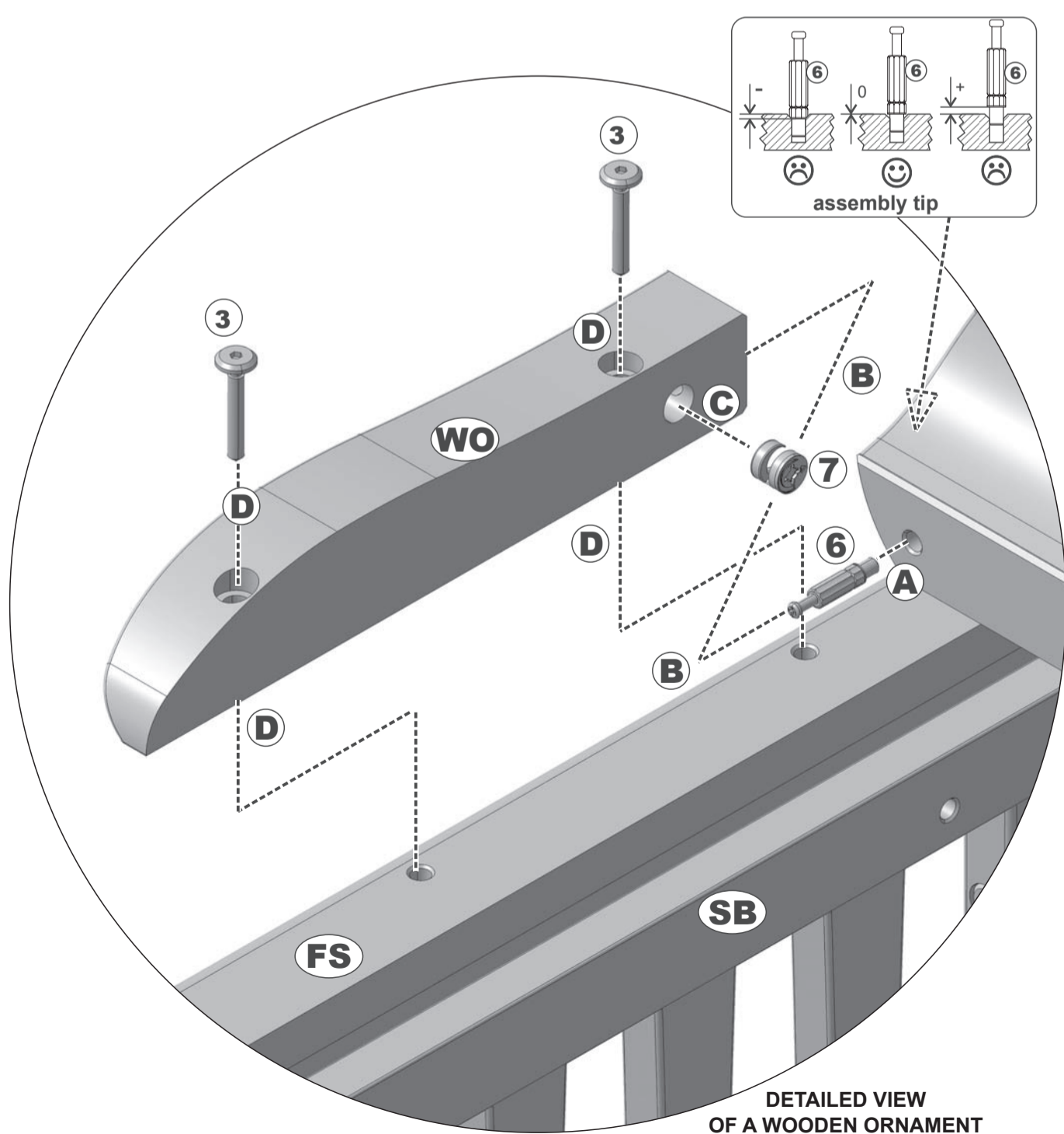


FIGURE 3

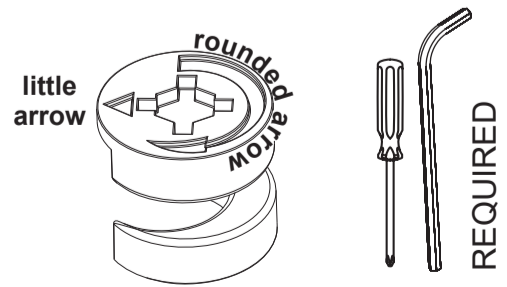


Wooden ornament mounting example:

- A)** using a Phillips screwdriver (not supplied) or just the hand, insert a dowel (6) into one crib's foot (please see the assembly tip for dowel correct positioning);
- B)** attach the wooden ornament (WO) to the end panel (EP), inserting the dowel (6) into the hole found on the smaller side of the wooden ornament;
- C)** slightly pressing the wooden ornament against the crib's foot, insert the cam fitting (7) into the inner face hole of the wooden ornament, taking care that the little arrow of the cam is pointing to the crib's foot (parallel to the dowel's direction);
- D)** insert the smaller Allen bolts (10) starting the threads by hand. Do not tighten the bolts completely at this moment, you will be asked to do this later.

Adjust the position of the wooden ornament to follow the lines of the crib's foot by slightly moving the ornament or the fixed side (all the bolts involved in ornament / fixed side fixing are not completely tighten at this time) then using the supplied Allen wrench (1) and moderate force, slightly rotate the cam fitting (7) clockwise (see the cam's rounded arrow) by about 90 deg to 120 deg until become tight.

Don't overtight the cam! This is not a fixture involved in your child safety. Again, using the supplied Allen wrench (1) and moderate force, tighten the two smaller Allen bolts (10)



DETAILED VIEW OF A WOODEN ORNAMENT