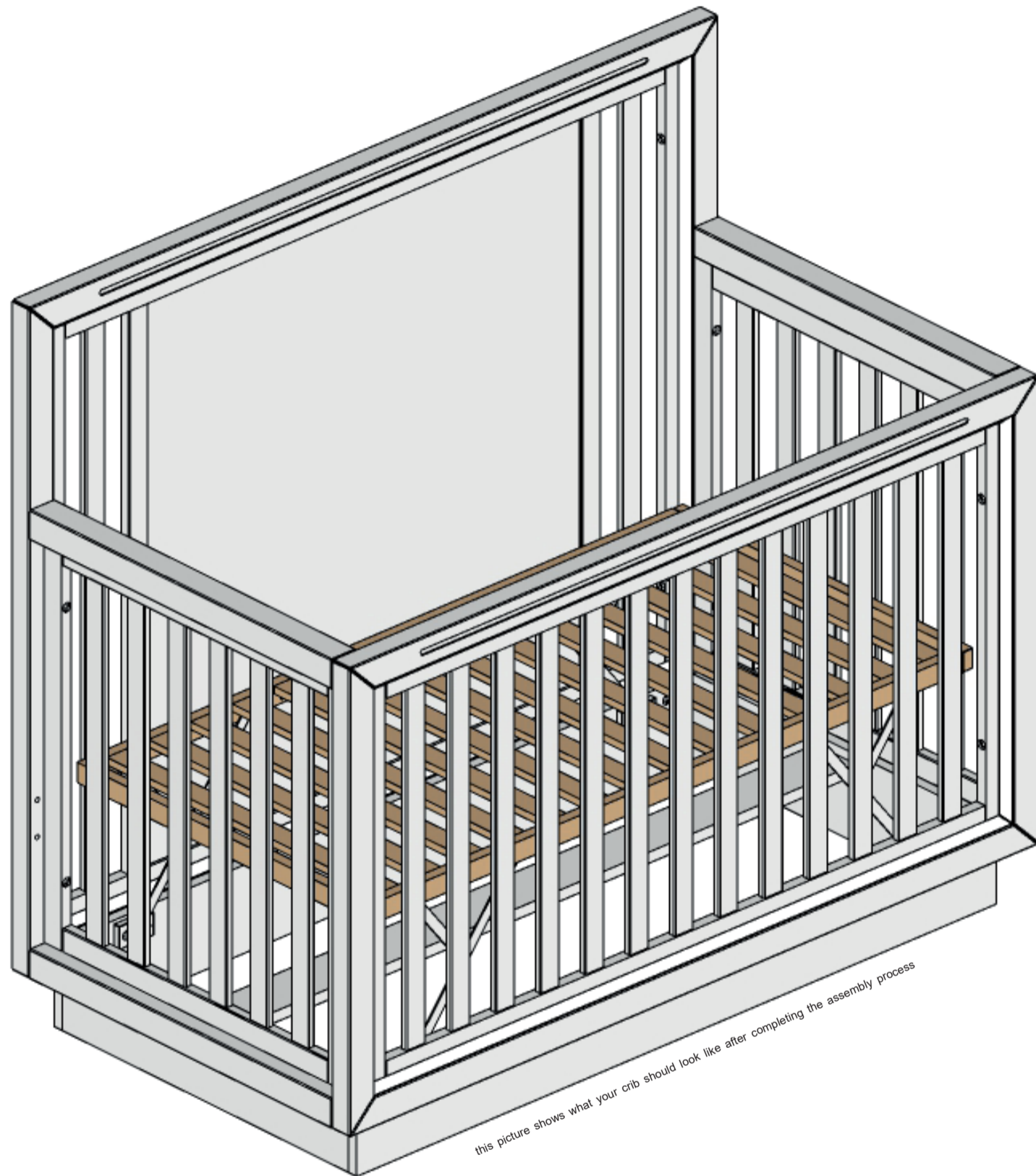


ASSEMBLY INSTRUCTIONS FOR THE 18501 QUADRO CONVERTIBLE CRIB



READ ALL INSTRUCTIONS BEFORE ASSEMBLING THE CRIB. KEEP THE INSTRUCTION BOOKLET FOR FURTHER USE.

NEVER USE THE PLASTIC SHIPPING BAGS OR OTHER PLASTIC FILM AS MATTRESS COVERS, AS THEY CAN CAUSE SUFFOCATION.

MAKE SURE TO SELECT THE CORRECT SIZE MATTRESS. INFANTS CAN SUFFOCATE IN THE GAPS BETWEEN THE CRIB SIDES AND A MATTRESS THAT IS TOO SMALL.

WARNING: THE PROPER USE OF THIS CRIB IS IMPORTANT FOR YOUR BABY'S SAFETY. IN ORDER TO KEEP YOU BABY SAFE AND SECURE, AS WELL AS AVOID POTENTIAL INJURY OR DEATH, PLEASE READ AND BECOME FAMILIAR WITH ALL THE WARNINGS, CAUTIONS AND INSTRUCTIONS IN THIS BOOKLET. KEEP THIS INSTRUCTION BOOKLET FOR FURTHER USE.

DO NOT THROW THIS BOOKLET AWAY!

THIS CRIB CONFORMS TO APPLICABLE REGULATIONS PROMULGATED BY THE CONSUMER PRODUCT SAFETY COMMISSION AND BY THE AMERICAN SOCIETY FOR TESTING AND MATERIALS.



4300 Northlake Ct, Ste E, Charlotte, NC 28216

**Phone: 980-585-1460
www.rominafurniture.com**

⚠️ WARNING! INFANTS CAN SUFFOCATE ON SOFT BEDDING. NEVER ADD A PILLOW OR COMFORTER. NEVER PLACE ADDITIONAL PADDING UNDER AN INFANT. FAILURE TO FOLLOW THESE WARNINGS AND ASSEMBLY INSTRUCTIONS COULD RESULT IN SERIOUS INJURIES OR DEATH.

CAUTION: ANY MATTRESS USED IN THIS CRIB SHALL BE AT LEAST 27 ¹/₄ BY 51 ⁵/₈ IN. WITH A THICKNESS NOT EXCEEDING 6 IN.

- TO REDUCE THE RISK OF SIDS, PEDIATRICIANS RECOMMEND HEALTHY INFANTS BE PLACED ON THEIR BACKS TO SLEEP, UNLESS OTHERWISE ADVISED BY YOUR PHYSICIAN.

STRANGULATION HAZARD:

- STRINGS CAN CAUSE STRANGULATION! **DO NOT** PLACE ITEMS WITH A STRING AROUND A CHILD'S NECK, SUCH AS HOOD STRINGS OR PACIFIER CORDS. **DO NOT** SUSPEND STRINGS OVER A CRIB OR ATTACH STRINGS TO TOYS.

- TO HELP PREVENT STRANGULATION, TIGHTEN ALL FASTENERS. A CHILD CAN TRAP PARTS OF THE BODY OR CLOTHING ON LOOSE FASTENERS.

- **DO NOT** PLACE CRIB NEAR WINDOW WHERE CORDS FROM BLINDS OR DRAPES MAY STRANGLE A CHILD.

FALL HAZARD:

- WHEN CHILD IS ABLE TO PULL TO A STANDING POSITION, SET MATTRESS TO LOWEST POSITION AND REMOVE BUMPER PADS, LARGE TOYS AND OTHER OBJECTS THAT COULD SERVE AS STEPS FOR CLIMBING OUT.

- STOP USING CRIB WHEN CHILD BEGINS TO CLIMB OUT OR REACHES THE HEIGHT OF 35 IN. (89 CM).

- CHECK THIS PRODUCT FOR DAMAGED HARDWARE, LOOSE JOINTS, LOOSE BOLTS OR OTHER FASTENERS, MISSING PARTS, OR SHARP EDGES BEFORE AND AFTER ASSEMBLY AND FREQUENTLY DURING USE. SECURELY TIGHTEN LOOSE BOLTS AND OTHER FASTENERS. **DO NOT** USE CRIB IF ANY PARTS ARE MISSING, DAMAGED OR BROKEN. CONTACT **ROMINA FURNITURE** FOR REPLACEMENT PARTS AND INSTRUCTIONAL LITERATURE IF NEEDED. **DO NOT** SUBSTITUTE PARTS.

- IF REFINISHING, USE A NON-TOXIC FINISH SPECIFIED FOR CHILDREN'S PRODUCTS.

- FOLLOW WARNINGS ON ALL PRODUCTS IN A CRIB.

- READ ALL INSTRUCTIONS BEFORE ASSEMBLING CRIB. **KEEP INSTRUCTIONS FOR FUTURE USE.** A STORAGE POUCH & 2 PLASTIC TIES HAVE BEEN PROVIDED IN THE HARDWARE BAG. ATTACH POUCH TO MATTRESS SUPPORT WITH PLASTIC TIES AND STORE THE INSTRUCTIONS THERE.

- **NEVER** USE PLASTIC SHIPPING BAGS OR OTHER PLASTIC FILM AS MATTRESS COVERS BECAUSE THEY CAN CAUSE SUFFOCATION.

- INFANTS CAN SUFFOCATE IN GAPS BETWEEN CRIB SIDES AND A MATTRESS THAT IS TOO SMALL.

- **DO NOT** USE A WATER MATTRESS WITH THIS CRIB.

- BEFORE USING THIS CRIB, RE-CHECK ALL SCREWS AND BOLTS TO BE SURE THEY ARE FASTENED SECURELY. A PERIODIC CHECK SHOULD BE MADE TO BE SURE THESE ITEMS REMAIN TIGHT.

- TO AVOID HEAD INJURY, **DO NOT** ALLOW ANY CHILD TO PLAY UNDERNEATH CRIB.

GENERAL FURNITURE CARE TIPS

- Wood, like any natural material is likely to present variations of grain and texture which will result in slight color variations or richness in the finish. These differences make each Romina Furniture item as beautiful and unique as you and your baby are.
- To preserve the initial appearance and functionality of your furniture, it is recommended that all furniture items be used in accordance with their intended design.
- Special water-based finishes are used to make this furniture safe for your baby. These finishes may be more delicate than those used on adult furniture thus requiring careful maintenance.
- Constant rubbing or mechanical interaction with sharp/hard objects such as belt buckles, jeans' zippers or buttons will likely damage the finish on your furniture. When placing or retrieving items onto the furniture, always set them down and pick them up, do not "slide" them. Items placed onto the horizontal surfaces must be moved/rotated to prevent discoloration in the finish.
- Exposure to extreme variations of environmental conditions such as humidity and temperature can affect the finish quality due to wood sudden expansion or shrinkage. It is recommended that the room temperature be maintained in between 65 and 75 degrees Fahrenheit and a relative humidity of 35 – 40 %. Do not place items which are too hot or too cold directly onto the finished surfaces!
- Use caution when using a humidifier or vaporizer. Excessive moisture is harmful to the furniture causing the finish to peel and the wood to warp.
- Wipe up spills promptly. If water or other liquids stay in contact with the furniture for a long period of time, they can cause the finish to turn white or discolor. Alcohol or solvent containing substances or materials will permanently damage the finish.
- In general, furniture should not be placed in front or too close to air-conditioning outlets, fireplaces, heaters or humidifiers. Direct sunlight and ultraviolet rays will cause colors to fade, affect the luster and smoothness of the finish and in most cases may cause hairline cracks in the finish. White finishes will yellow naturally over time; exposure to direct sunlight will accelerate this natural process. Please note that all wood essences will darken over time along with the natural aging process which is not considered to be a quality defect.
- To clean the furniture, use a damp cloth immediately followed by wiping with a dry cloth. Do not allow water to stay in contact with the finish as it will damage the finish.
- If you need to put your furniture into storage for any period of time, avoid placing it in damp basements or hot attics. Air flow around and under the furniture should be allowed. Do not place furniture too close to walls, do not stack anything on it and do not cover it entirely.
- When using a vinyl changing pad or similar plastic accessories, make sure to use a fabric felt underneath. Certain plastics have ingredients that can react with and damage the finish. It is recommended to rotate the changing pad's position frequently to avoid finish discoloration.

BOX CONTENT

18501

NOTE: THE STYLE OF YOUR CRIB, METALLIC BRACKETS OR MATTRESS SUPPORT MAY VARY FROM WHAT IS PICTURED IN THE INSTRUCTION SHEET.

Please locate and confirm that you have the following parts:

HB. footboard = 1

FB. headboard = 1

WBA. wooden base assembly = 4 parts

DBA. daybed assembly = 3 parts

MS. mattress support = 1

LP. left panel = 1

RP. right panel = 1

SB. stabilizing bar = 1

NOTE: The letters by which a part can be identified represent the initials of the specific part's name (this method is used in order to facilitate parts recognition between the drawings and the parts list).

A bag of hardware containing the following accessories:

1. Allen wrench = 1

2. A storage pouch = 1

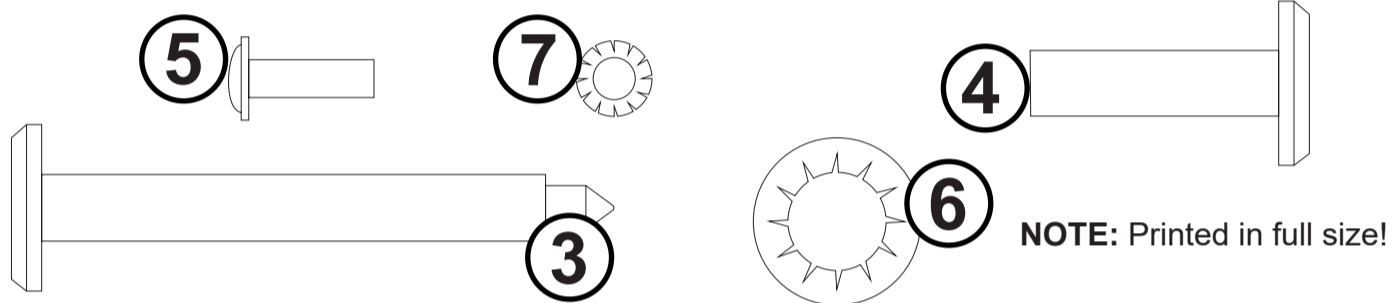
3. Allen bolt (50mm - 2") = 8

4. Allen bolt (25mm - 1 1/2") = 12

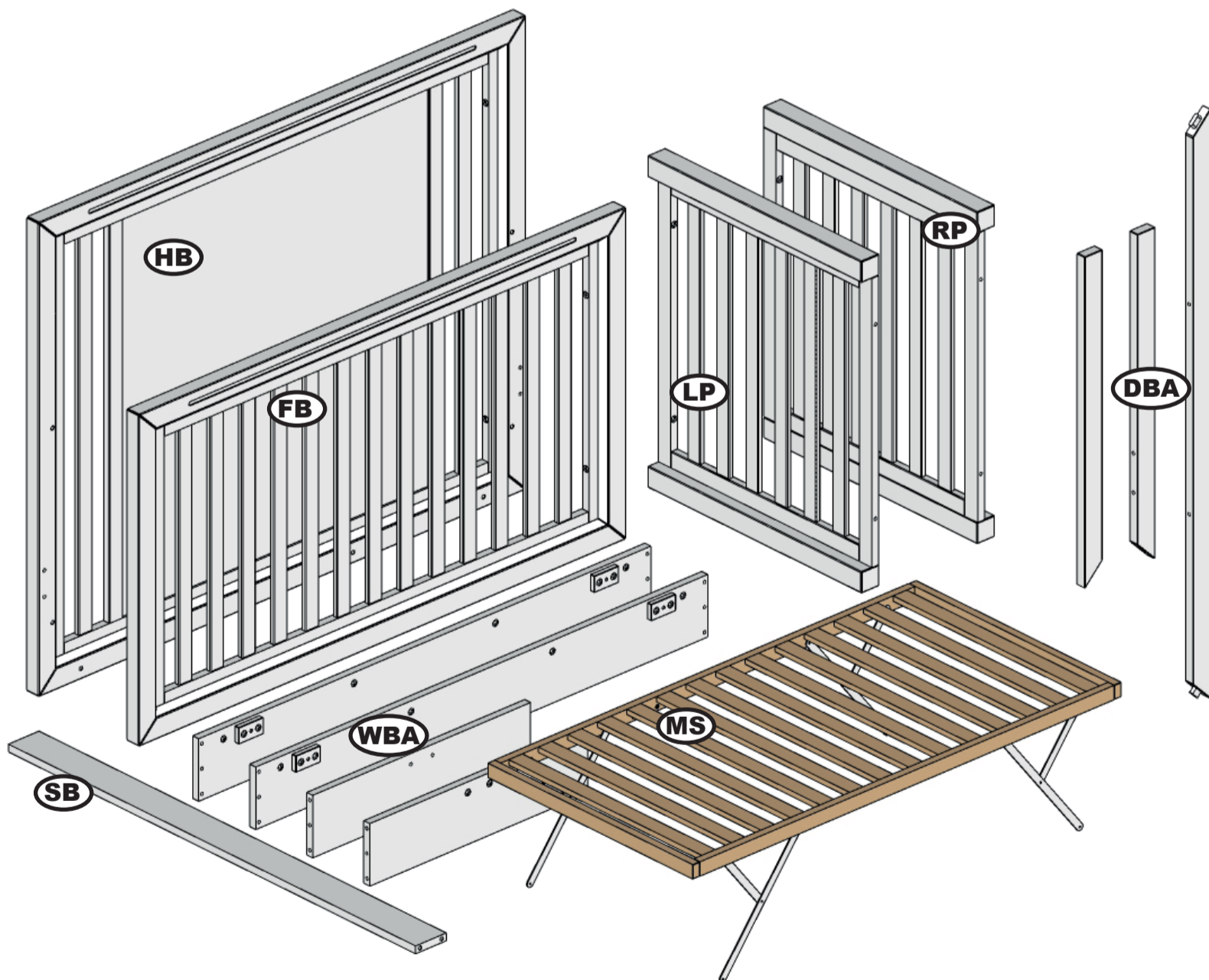
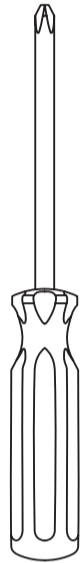
5. Rounded head bolt (15 mm - 19/32") = 4

6. Large "internal star" lock washer = 16

7. Small "external star" lock washer = 4



NOTE: Phillips screwdriver not included!



NOTE: The item number of your product is located on the inner side of the left panel, on a black and white label. Please refer to this number in the event of needing to contact ROMINA FURNITURE or your local supplier.

NOTE: During the assembly process, whenever using screws or bolts, check by using a measuring instrument for each of them, in order to identify the correct one. Be sure to use the proper size and shape specified in the instructions. Be sure to **COMPLETELY TIGHTEN** the screws and bolts when told to do so.

STEP 1 (One adult is required in order to complete this step)

Place the headboard (**HB**) of the crib horizontally, with its back facing downwards. Attach one of the long parts of the wooden base assembly (**WBA**) to the headboard using four 25 mm Allen bolts (**4**) and four large “internal star” lock washers (**6**) as shown in **FIGURE 1**. Make sure the wooden base assembly (**WBA**) part is positioned correctly, with the mattress support (**MS**) mounting points oriented towards the top side of the headboard (**HB**).

Use the provided Allen wrench to **completely tighten all four bolts (4+6)**.



REQUIRED

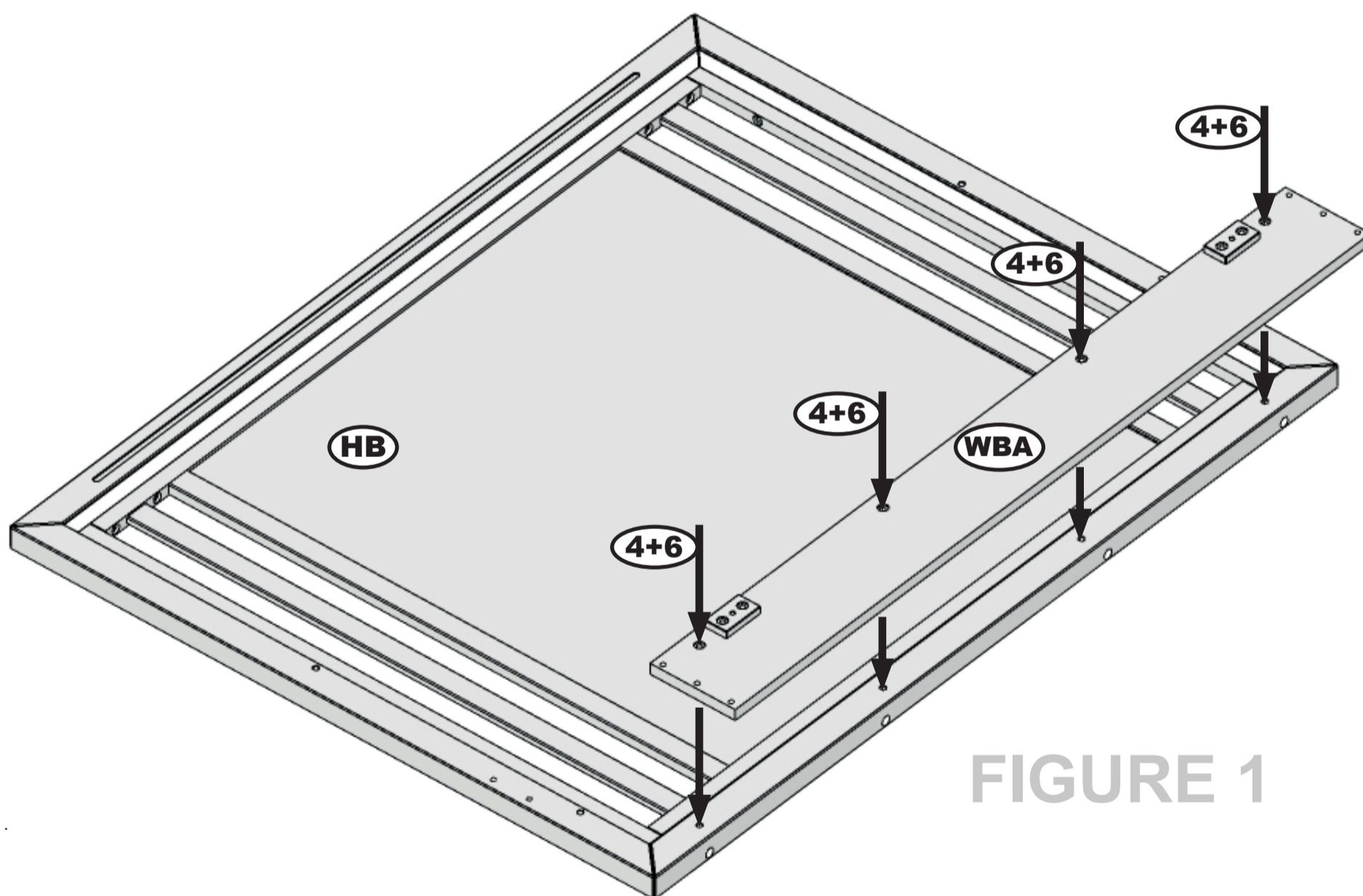


FIGURE 1

WARNING: IN ORDER TO KEEP YOUR BABY SECURE AND SAFE AND TO AVOID POTENTIAL INJURY OR DEATH, IT IS **VERY IMPORTANT TO COMPLETELY TIGHTEN ALL 4 BOLTS.**

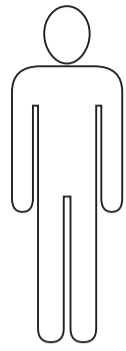
WARNING!
COMPLETELY TIGHTEN!

NOTE: THE STYLE OF YOUR CRIB, METALLIC BRACKETS OR MATTRESS SUPPORT MAY VARY FROM WHAT IS PICTURED IN THE INSTRUCTION SHEET.

STEP 2 (One adult is required in order to complete this step)

Place the footboard (**HB**) of the crib horizontally, with its back facing upwards. Attach one of the long parts of the wooden base assembly (**WBA**) to the footboard using four 25 mm Allen bolts (**4**) and four large “internal star” lock washers (**6**) as shown in **FIGURE 2**. Make sure the wooden base assembly (**WBA**) part is positioned correctly, with the mattress support (**MS**) mounting points oriented towards the top side of the footboard (**FB**).

Use the provided Allen wrench to **completely tighten all four bolts (4+6)**.



REQUIRED

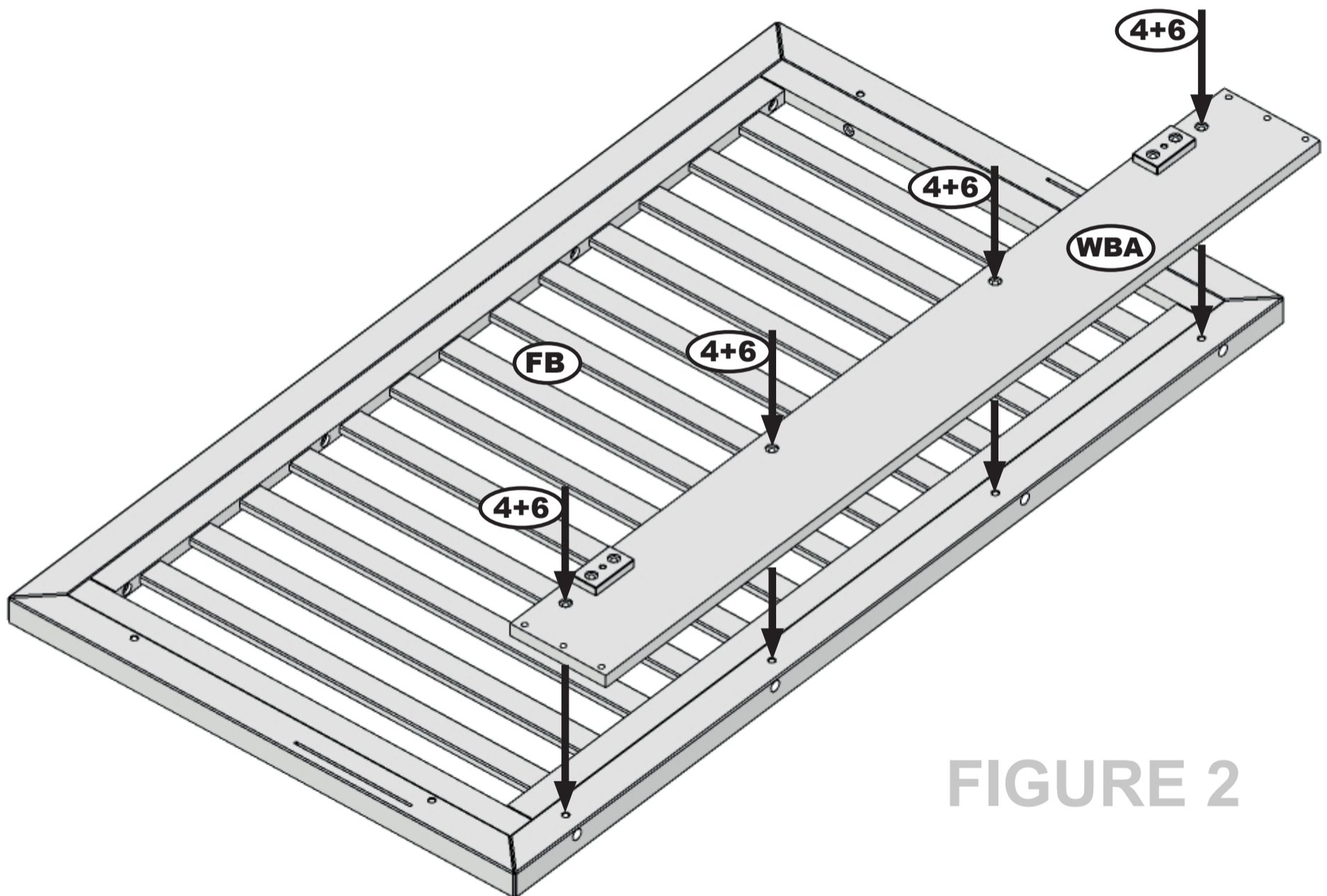


FIGURE 2

WARNING!
COMPLETELY TIGHTEN!

NOTE: THE STYLE OF YOUR CRIB, METALLIC BRACKETS OR MATTRESS SUPPORT MAY VARY FROM WHAT IS PICTURED IN THE INSTRUCTION SHEET.

WARNING: IN ORDER TO KEEP YOUR BABY SECURE AND SAFE AND TO AVOID POTENTIAL INJURY OR DEATH, IT IS **VERY IMPORTANT TO COMPLETELY TIGHTEN ALL 4 BOLTS.**

STEP 3 (Two adults are required in order to complete this step)

Take both short parts of the wooden base assembly (**WBA**) and place the stabilizing bar (**SB**) in between them. Use four 25 mm Allen bolts (**4**) and four large "internal star" lock washers (**6**) to secure the stabilizing bar (**SB**) in between the two wooden base assembly (**WBA**) parts, as shown in **FIGURE 3**.

Use the provided Allen wrench to **completely tighten all four bolts (4+6)**.

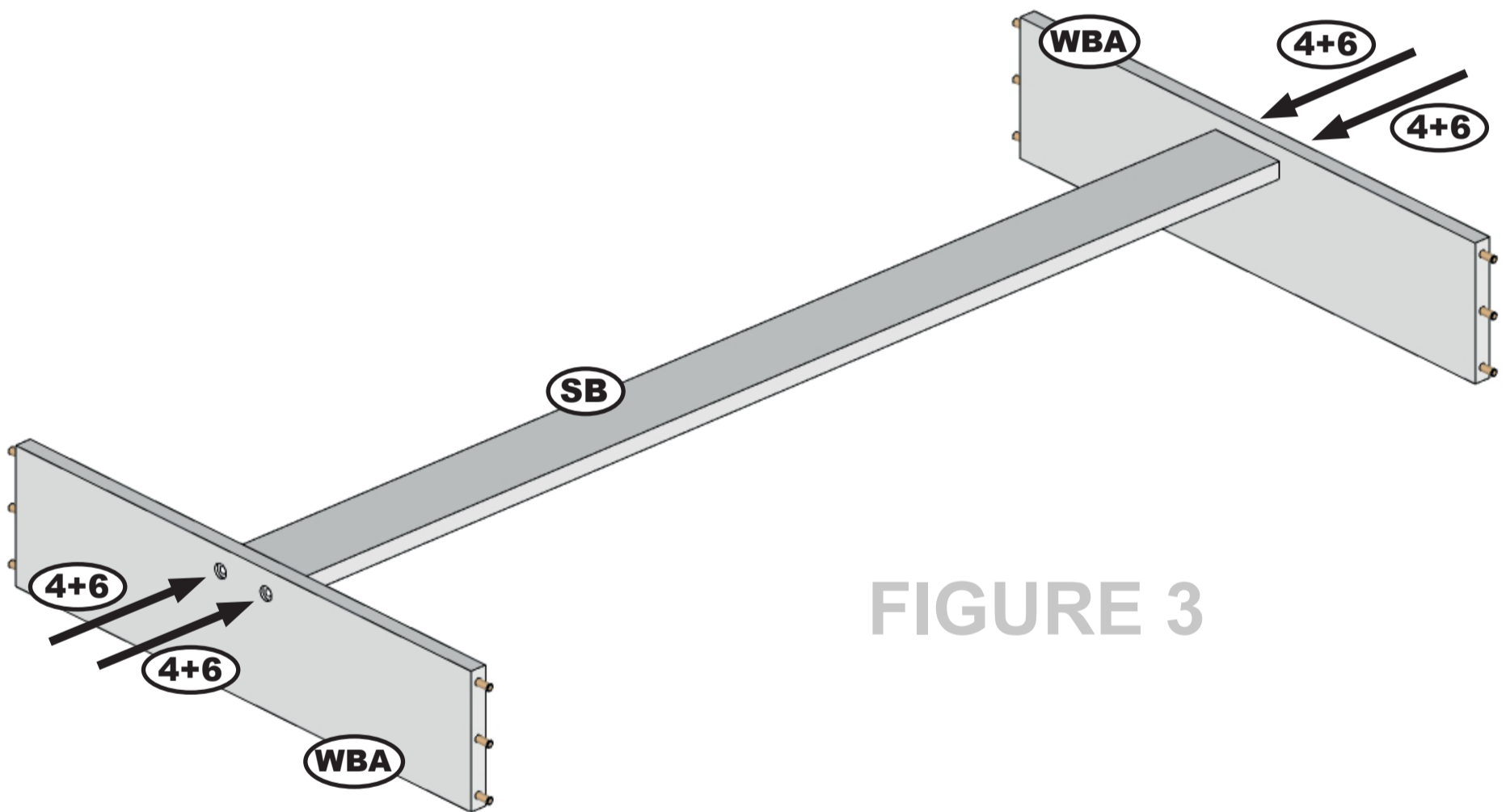
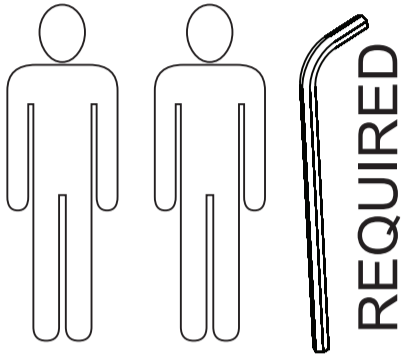


FIGURE 3

WARNING!
COMPLETELY TIGHTEN!

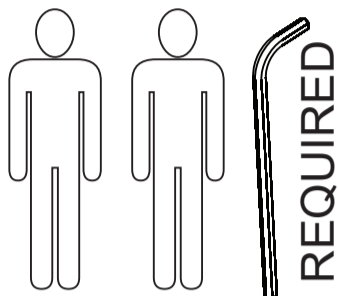
NOTE: THE STYLE OF YOUR CRIB, METALLIC BRACKETS OR MATTRESS SUPPORT MAY VARY FROM WHAT IS PICTURED IN THE INSTRUCTION SHEET.

WARNING: IN ORDER TO KEEP YOUR BABY SECURE AND SAFE AND TO AVOID POTENTIAL INJURY OR DEATH, IT IS **VERY IMPORTANT** TO **COMPLETELY TIGHTEN ALL 4 BOLTS**.

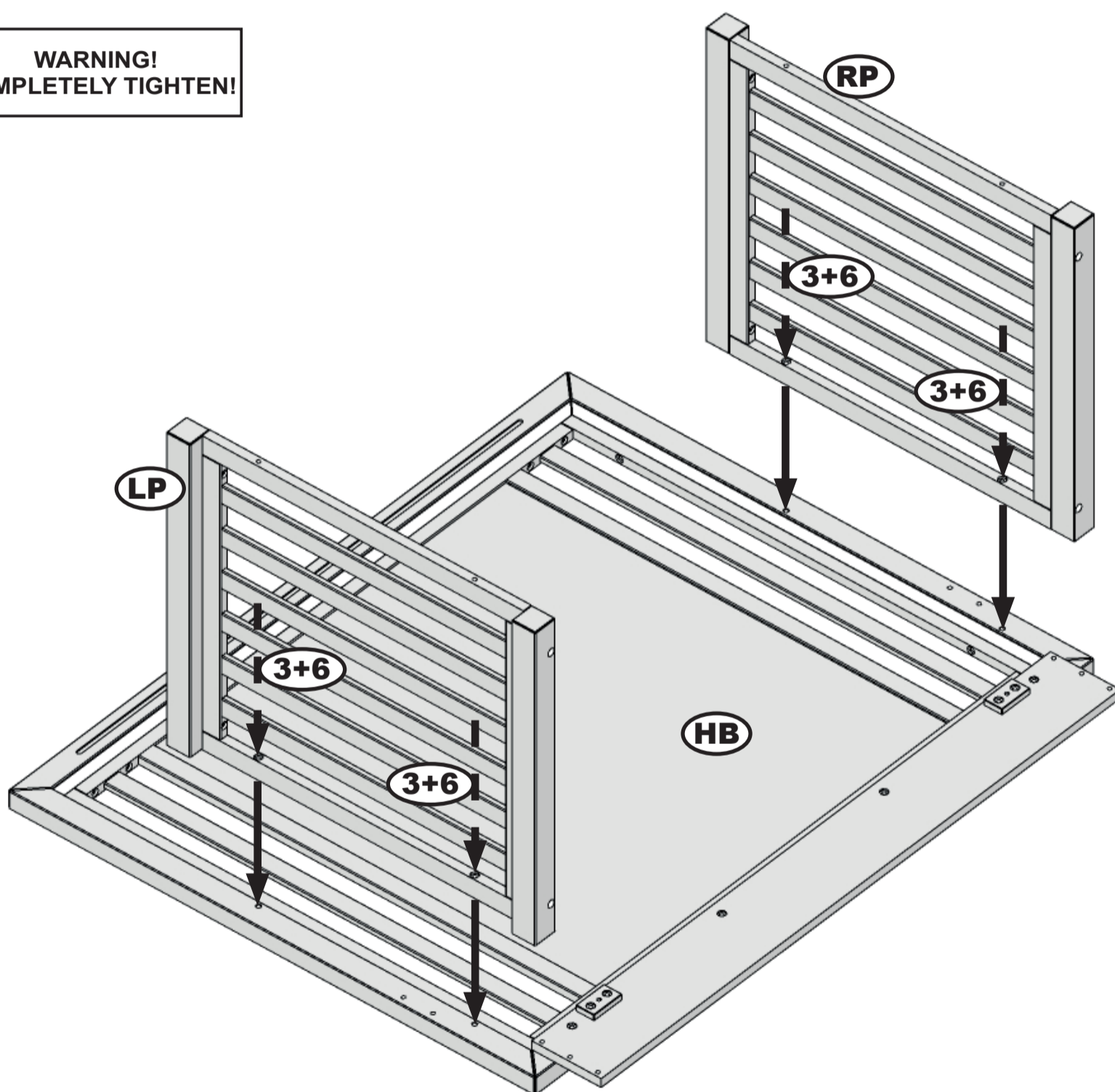
STEP 4 (Two adults are required in order to complete this step)

Place the left panel (LP) and right panel (RP) on top of the assembly resulted after completing **STEP 1**. Use four 50 mm Allen bolts (3) and four large “internal star” lock washers (6) to mount the left and right panel to the headboard (HB) of the crib as shown in **FIGURE 4**.

Use the provided Allen wrench to **completely tighten all four bolts (3+6)**.



WARNING!
COMPLETELY TIGHTEN!

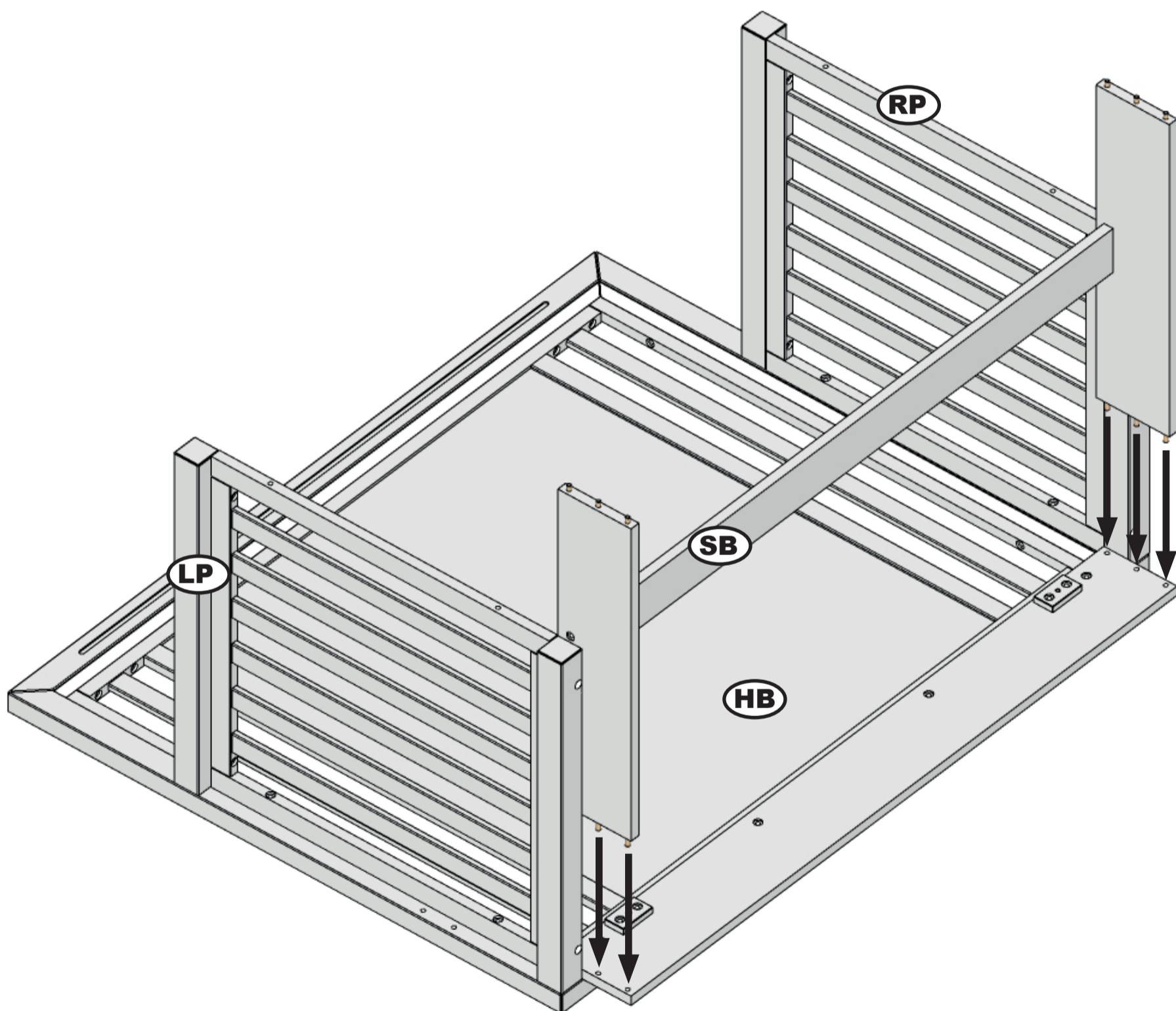
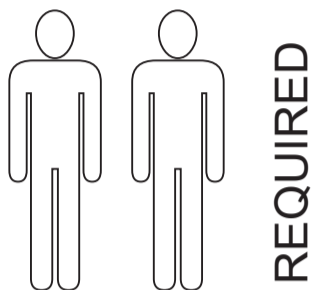


WARNING: IN ORDER TO KEEP YOUR BABY SECURE AND SAFE AND TO AVOID POTENTIAL INJURY OR DEATH, IT IS **VERY IMPORTANT** TO **COMPLETELY TIGHTEN ALL 4 BOLTS**.

FIGURE 4

STEP 5 (Two adults are required in order to complete this step)

With the headboard (**HB**) still laying on its back and the left and right panels attached, carefully insert the assembly resulted after completing **STEP 3** into the long part of the wooden base assembly (**WBA**) and in between the left panel (**LP**) and right panel (**RP**). Make sure the factory-mounted wooden dowels go all the way into their corresponding holes and the stabilizing bar (**SB**) is oriented towards the top of the crib's headboard (**HB**) as shown in **FIGURE 5**.



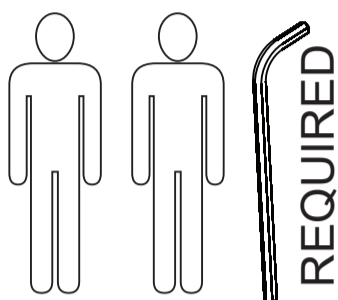
WARNING!
COMPLETELY TIGHTEN!

FIGURE 5

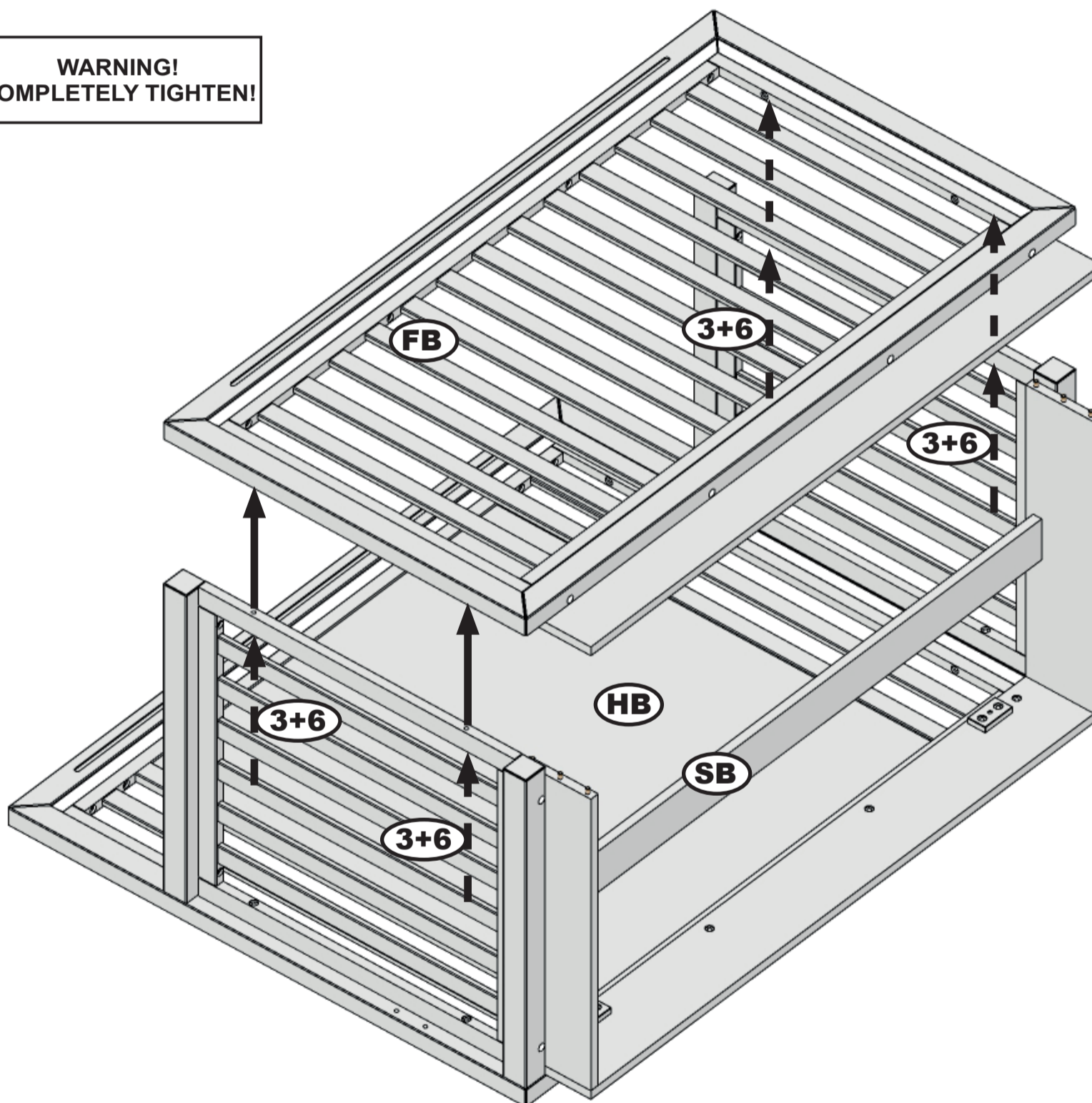
STEP 6 (Two adults are required in order to complete this step)

Place the footboard (FB) of the crib on top of the resulted assembly, while making sure the wooden dowels match the corresponding holes in the previously monted wooden base assembly (WBA) part. Use four 50 mm Allen bolts (3) and four large "internal star" lock washers (6) to mount the left and right panel to the footboard (FB) of the crib as shown in **FIGURE 6**.

Use the provided Allen wrench to **completely tighten all four bolts (3+6)**.



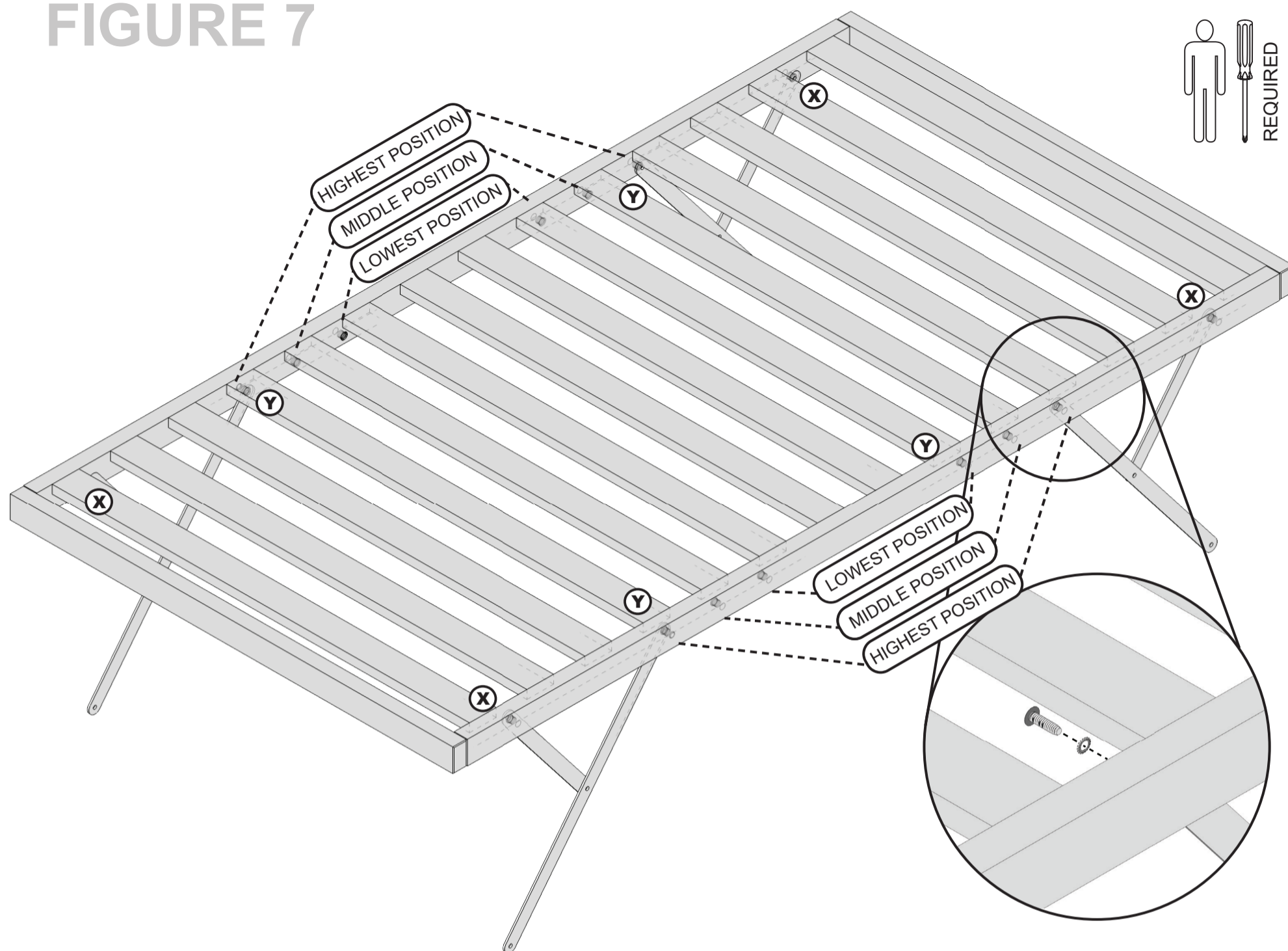
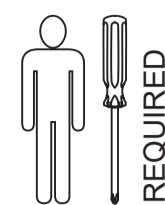
WARNING!
COMPLETELY TIGHTEN!



WARNING: IN ORDER TO KEEP YOUR BABY SECURE AND SAFE AND TO AVOID POTENTIAL INJURY OR DEATH, IT IS **VERY IMPORTANT** TO **COMPLETELY TIGHTEN ALL 4 BOLTS**.

FIGURE 6

FIGURE 7



WARNING! COMPLETELY TIGHTEN!

STEP 7 (One adult is required in order to complete this step)

There are three different positions for the mattress support (the highest one being intended for a newborn child and the lowest one for a child that is maximum 35" tall - see cautions note). You must adjust the height of the mattress support (depending on your child's height), by inserting all 4 bolts and nuts (Y) in the same position (see **FIGURE 7**).

Bolts (X) and (Y) are factory mounted.

Do not completely tighten the bolts at this step; you will be asked to do so in a later step.

The mattress support will be assembled in the LOWEST POSITION.

ADJUSTING THE HEIGHT OF THE MATTRESS SUPPORT

To adjust the vertical position of the mattress support, you must remove all four bolts and washers (Y), loosen all eight bolts (5+7, X), lower the frame and insert the bolts and washers (Y) back into the corresponding holes, according to the desired height (see **FIGURE 2**). Afterwards, completely tighten all bolts.

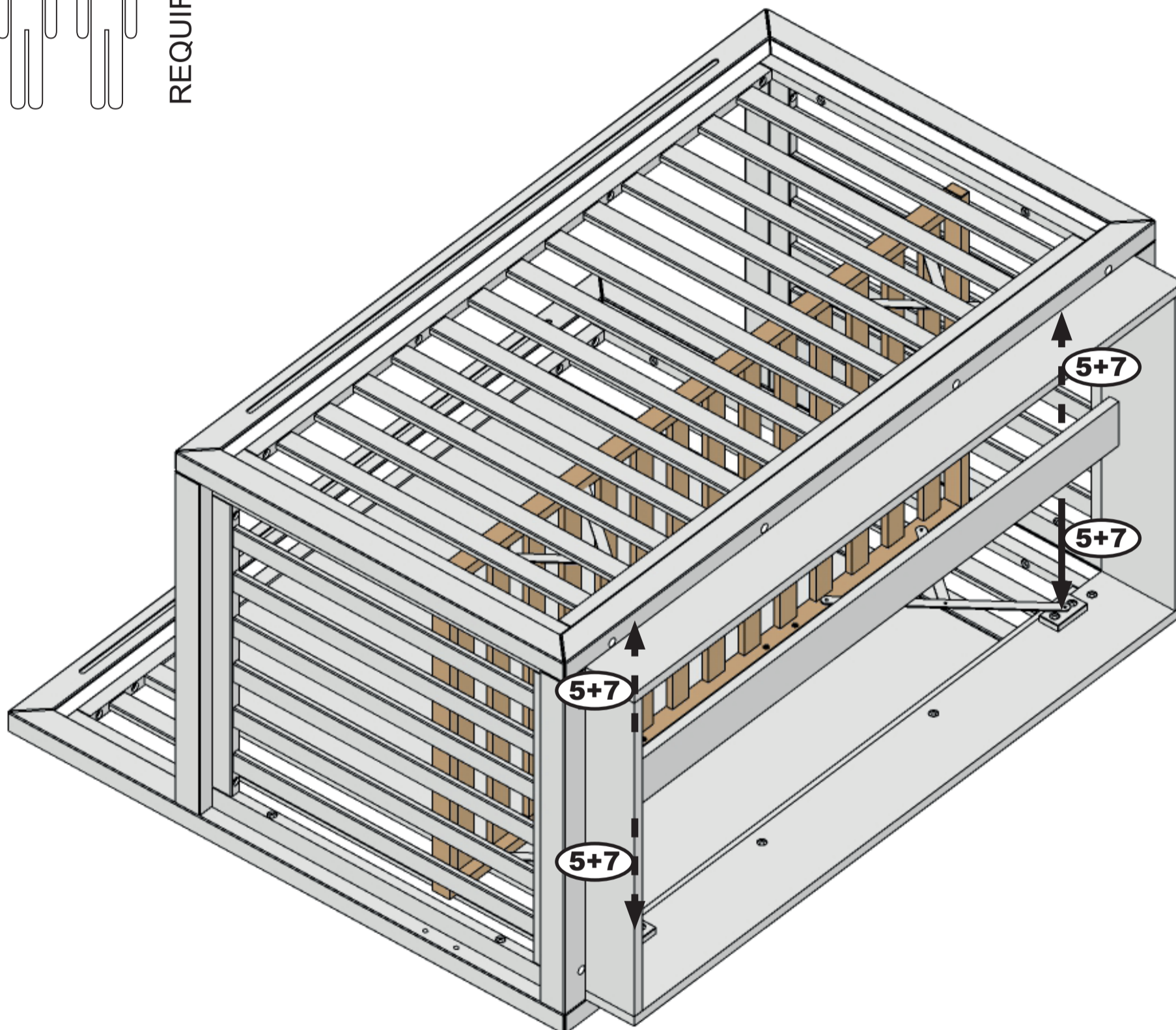
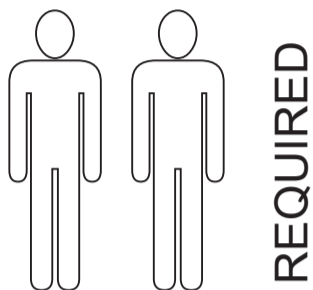
The crib is designed in such a manner that, when the mattress support is adjusted to its lowest position, the mattress support frame must be placed directly over the bottom frame. Before tightening the bolts, we recommend slightly pressing down on the mattress support, in order to ensure its correct positioning.

WARNING: IN ORDER TO KEEP YOUR BABY SECURE AND SAFE AND TO AVOID POTENTIAL INJURY OR DEATH, IT IS VERY IMPORTANT TO COMPLETELY TIGHTEN ALL 12 BOLTS (X), (Y) & (5+7) AFTER ADJUSTING THE HEIGHT OF THE MATTRESS SUPPORT.

STEP 8 (Two adults are required in order to complete this step)

With the crib still laying horizontally, carefully place the mattress support inside, inserting it through the top side of the crib. Use the provided Allen wrench to secure it to the mounting points of the wooden base assembly (WBA) by using four 15 mm Rounded head bolts (5) and four small "external star" lock washers (7), as shown in **FIGURE 8**. Make sure to completely tighten all 4 Rounded head bolts securing the mattress support to the crib.

The installation process is now complete. Your crib should look like the one shown on the first page of this instructions manual.



WARNING: IN ORDER TO KEEP YOUR BABY SECURE AND SAFE AND TO AVOID POTENTIAL INJURY OR DEATH, IT IS **VERY IMPORTANT** TO **COMPLETELY TIGHTEN** ALL 4 BOLTS.

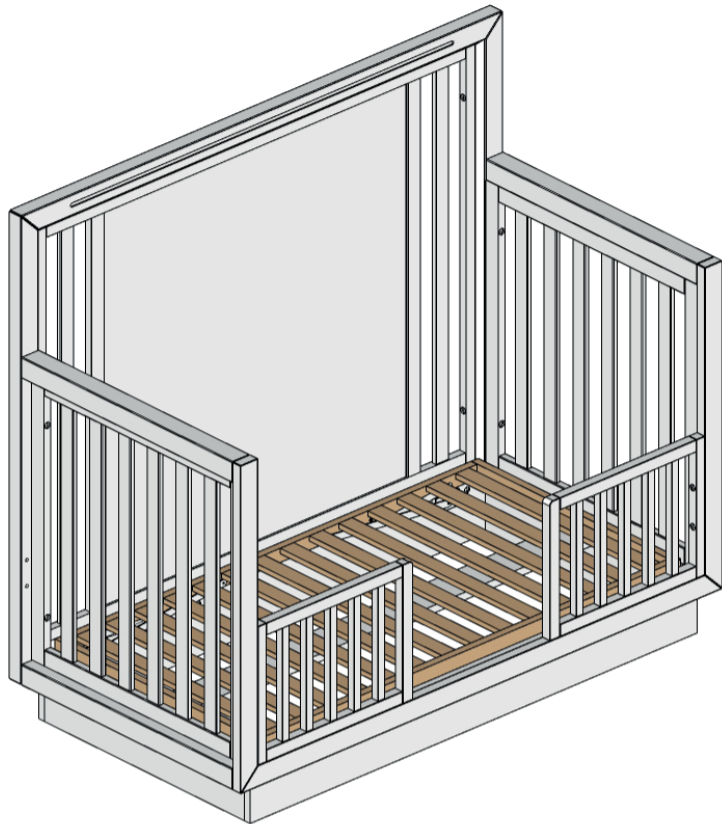
 **WARNING!** COMPLETELY TIGHTEN!

FIGURE 8

18501 QUADRO

TODLER RAIL OPTION

(THE TODLER RAIL IS SOLD SEPARATELY)



NOTE:

YOU CAN ATTACH A TODDLER RAIL TO YOUR CRIB WITH THE PURCHASE OF ROMINA FURNITURE ITEM **TR 18501** (TODLER RAIL 18501).

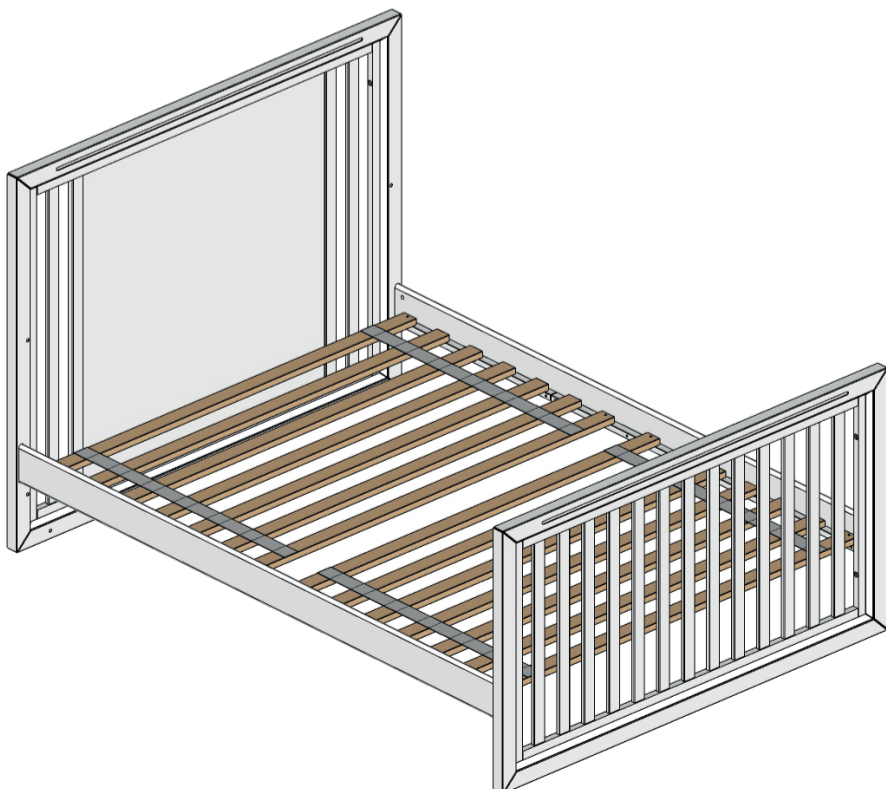
ASSEMBLY INSTRUCTIONS FOR THE TODLER RAIL CAN BE FOUND INSIDE OF THE TR 18501 PACKAGE.

PLEASE CONTACT ROMINA FURNITURE OR YOUR LOCAL DISTRIBUTOR FOR MORE INFORMATION ON THE TODLER RAIL.

18501 QUADRO

FULL SIZE BED OPTION

(THE CONVERSION KIT IS SOLD SEPARATELY)



NOTE:

YOUR 18501 CONVERTIBLE CRIB CAN BE CONVERTED INTO A FULL SIZE BED WITH THE PURCHASE OF ROMINA ITEM CODE **CKC 18501** (CONVERSION KIT FOR CRIBS, CODE 18501).

THE ASSEMBLY INSTRUCTIONS FOR THE FULL SIZE BED OPTION CAN BE FOUND INSIDE OF THE **CKC 18501** PACKAGE.

PLEASE CONTACT ROMINA FURNITURE OR YOUR LOCAL DISTRIBUTOR FOR MORE INFORMATION ON THE CONVERSION KIT.

CAUTION:

*WHEN A CHILD'S HEIGHT REACHES 35 INCHES, THE CHILD SHOULD BE PLACED IN A YOUTH OR REGULAR BED.

*USE OF A VAPORIZER NEAR FURNITURE WILL CAUSE WOOD TO SWELL AND FINISH TO PEEL.

*DO NOT STORE CRIB IN AREAS WHERE TEMPERATURES AND CONDITIONS ARE EXTREME, SUCH AS HOT ATTICS OR COLD DAMP BASEMENTS. BOTH OF THESE EXTREME CONDITIONS MAY CAUSE THE WOOD TO CRACK AND GLUE JOINTS TO LOOSEN RESULTING IN STRUCTURAL FAILURE.

*SHOULD IT BECOME DESIRABLE TO REFINISH THIS CRIB IN LATER YEARS, THE MANUFACTURER WARNS THAT ANY MATERIAL USED SHOULD BE NON-TOXIC. REGULAR CLEANING WITH MILD SOAP ON A SOFT CLOTH, FOLLOWED BY A CLEAN DAMP CLOTH, THEN A DRY CLOTH, WILL PRESERVE THE ORIGINAL LUSTER AND BEAUTY OF THIS FINE FINISH.

*THIS CRIB IS NOT EQUIPPED TO HANDLE THE EXCESS WEIGHT OF A CRIB WATER MATTRESS.

*LIFT SLIGHTLY WHEN MOVING ON CARPETING TO PREVENT LEG BREAKAGE.

ENSURE A SAFE ENVIRONMENT FOR THE CHILD BY CHECKING REGULARLY, BEFORE PLACING THE CHILD IN THE CRIB, THAT EVERY COMPONENT IS PROPERLY AND SECURELY IN PLACE.

MAINTENANCE OF YOUR ROMINA CONVERTIBLE CRIB:

AFTER YOU FINISH ASSEMBLING YOUR CRIB, BE SURE THAT ALL BOLTS HAVE BEEN TIGHTENED SECURELY. YOU MUST CHECK ALL BOLTS PERIODICALLY AND RE-TIGHTEN AS NECESSARY. PERIODICALLY INSPECT CRIB FOR DAMAGED HARDWARE, LOOSE JOINTS OR SPLINTERED EDGES.

DO NOT USE CRIB IF PARTS ARE DAMAGED OR BROKEN! CONTACT YOUR DEALER OR **ROMINA FURNITURE** FOR ASSISTANCE AND REPLACEMENT PARTS. PLEASE BE SURE TO HAVE YOUR MODEL CODE WRITTEN DOWN BEFORE YOU MAKE CONTACT. THE MODEL CODE CAN BE FOUND ON A WHITE LABEL LOCATED ON THE INSIDE OF YOUR CRIB ON THE SIDE PANEL.

NEVER SUBSTITUTE PARTS OR MAKE ALTERATIONS TO YOUR CRIB!

**THIS PAGE WAS INTENTIONALLY LEFT
BLANK.**

Regular cleaning with mild soap on a soft cloth, followed by a clean damp cloth, then a dry cloth, will preserve the original luster and beauty of this fine finish of your Romina Furniture product.



Romina

Furniture

Good life from Day 1

Visit

www.rominafurniture.com

for updates, special offers and more new designs.