

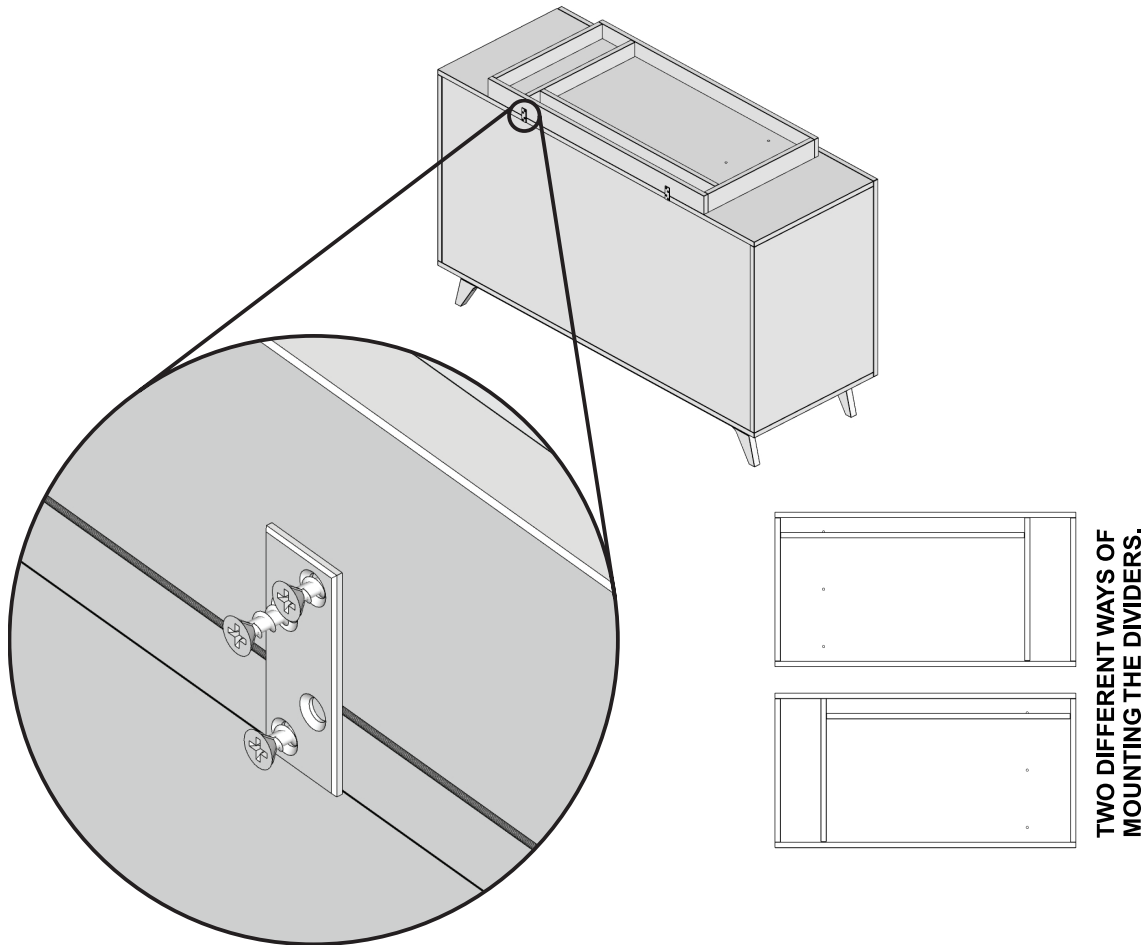
ADJUSTABLE CHANGING TABLE INSTRUCTIONS

⚠️ WARNING - FALL HAZARD

**TO PREVENT DEATH OR SERIOUS INJURY,
ALWAYS KEEP CHILD WITHIN ARM'S REACH!
NEVER LEAVE CHILD UNATTENDED!**

**FAILURE TO FOLLOW THESE WARNINGS AND ASSEMBLY INSTRUCTIONS
COULD RESULT IN SERIOUS INJURY OR DEATH.**

**READ ALL INSTRUCTIONS BEFORE USE OF THE CHANGING TABLE
KEEP THESE INSTRUCTIONS IN A SAFE PLACE FOR FUTURE USE**



THE ADJUSTABLE CHANGING TRAY HAS TWO DIFFERENT WAYS OF MOUNTING THE DIVIDERS. THE SHORT DIVIDER CAN BE MOUNTED ON EITHER THE LEFT OR RIGHT SIDE OF THE CHANGING TRAY, LEAVING ENOUGH ROOM FOR THE LONG DIVIDER TO BE MOUNTED BETWEEN THE SHORT DIVIDER AND THE OPPOSITE SIDE OF THE TRAY.

CHOOSE A SIDE FOR THE SHORT DIVIDER (LEFT OR RIGHT), LINE ITS HOLES UP WITH THE MATCHING HOLES AT THE BOTTOM OF THE ADJUSTABLE CHANGING TRAY AND SECURE IT BY TURNING 3 OF THE PROVIDED 20 MM ALLEN BOLTS CLOCKWISE THROUGH THE BOTTOM OF THE TRAY AND INTO THE BOTTOM OF THE SHORT DIVIDER.

MATCH THE HOLES IN THE LONG DIVIDER WITH THE HOLES AT THE BOTTOM OF THE CHANGING TRAY AND SECURE IT TO THE BOTTOM OF THE TRAY BY USING THE 4 REMAINING 20 MM ALLEN BOLTS. MAKE SURE TO COMPLETELY TIGHTEN ALL 7 20 MM ALLEN BOLTS AT THE BOTTOM OF THE ADJUSTABLE CHANGING TRAY.

REMOVE THE PROTECTIVE FILM OFF THE 4 SUPPLIED PADS AND STICK THEM ONTO THE BOTTOM OF THE ADJUSTABLE CHANGING TRAY. ALWAYS SECURE THE ADJUSTABLE CHANGING TRAY TO THE BACK SIDE OF THE DRESSER OR BABY STATION BY USING THE HARDWARE SUPPLIED (TWO METALLIC BRACKETS AND 6 WOOD SCREWS – 16 MM / 5/8") AND A PHILLIPS SCREWDRIVER (NOT SUPPLIED).

ADJUSTABLE CHANGING TABLE INSTRUCTIONS

WARNING - FALL HAZARD

- BEFORE EACH USAGE, CHECK THE ADJUSTABLE CHANGING TRAY FOR DAMAGE, LOOSE PARTS OR SHARP EDGES. DO NOT USE THE ADJUSTABLE CHANGING TRAY IF THERE ARE ANY LOOSE JOINTS, MISSING OR BROKEN PARTS AND/OR SHARP EDGES. PLEASE CONTACT YOUR LOCAL DISTRIBUTOR OR ROMINA FURNITURE FOR REPLACEMENT PARTS AND INSTRUCTIONAL LITERATURE. DO NOT SUBSTITUTE PARTS OF ANY KIND. PARENTS SHOULD ENSURE A SAFE ENVIRONMENT FOR THEIR CHILD BY CHECKING THE FURNITURE REGULARLY BEFORE PLACING THE CHILD IN THE PRODUCT.
- WHEN THE CHILD REACHES A MAXIMUM WEIGHT OF 30 LBS OR WHEN IS ABLE TO SIT UP OR ROLL OVER, THE CHANGING TABLE SHALL NO LONGER BE USED.
- THE RECOMMENDED DIMENSIONS OF THE CHANGING PAD INTENDED TO BE USED WITH THIS CHANGING TABLE ARE 32" L X 16" W X 1" H.

- USE ONLY CHANGING PADS THAT MEET THE REQUIREMENTS OF ASTM F2388. THIS PRODUCT IS NOT INTENDED TO BE USED AS A CHANGING TABLE WITHOUT A CHANGING PAD. USE OF THE PRODUCT WITHOUT A CHANGING PAD MAY RESULT IN DEATH OR SERIOUS INJURY TO YOUR CHILD FROM FALLING. FOLLOW ALL INSTRUCTIONS ON ASSEMBLY, ATTACHING AND USING THE CHANGING TABLE.

CAUTION: YOU MUST PLACE YOUR ADJUSTABLE CHANGING TRAY ONLY ON A ROMINA RECOMMENDED DRESSER OR BABY STATION, WHICH HAS A TOP SURFACE LARGER THAN THE BASE SURFACE OF THE CHANGING TRAY. YOU MUST SET UP THE DRESSER ON A SURFACE WHICH IS LEVEL, STABLE AND STRUCTURALLY SOUND.

WE ASSUME NO RESPONSIBILITY IN CASE OF STRUCTURAL OR OTHERWISE FAILURE CAUSED BY THE POSITIONING OF THE ADJUSTABLE CHANGING TRAY OVER A SMALLER SURFACE OR OVER A NON-ROMINA CASE.

- STRINGS CAN CAUSE STRANGULATION! DO NOT PLACE ITEMS WITH A STRING AROUND A CHILD'S NECK, SUCH AS HOOD STRINGS OR PACIFIER CORDS.
- DO NOT SUSPEND STRINGS OVER A CHANGING TABLE.
- DO NOT PLACE THE CHANGING TABLE NEAR A WINDOW WHERE CORDS FROM THE BLINDS OR DRAPES MAY STRANGLE A CHILD.
- NEVER LEAVE A CHILD UNATTENDED OF THE CHANGING TABLE.
- IF REFINISHING, USE A NON-TOXIC FINISH SPECIFIED FOR CHILDREN'S PRODUCTS.
- NEVER USE PLASTIC SHIPPING BAGS OR OTHER PLASTIC FILM AS CHANGING PAD COVERS, AS THEY CAN CAUSE SUFFOCATION.
- TO AVOID HEAD INJURIES, DO NOT ALLOW ANY CHILD TO PLAY UNDERNEATH OPEN DRAWERS/DOORS OR HUTCH SHELVES WHEN PRESENT.
- ALWAYS BE ALERT ABOUT THE CHILD'S SAFETY. BABIES DO THE UNEXPECTED. THEY MAKE NEW MOVEMENTS EVERY DAY. IT TAKES A SECOND FOR THE BABY TO BE SERIOUSLY HURT. KEEP THE BABY IN SIGHT WHILE IT IS ON THE CHANGING TRAY.
- USE OF A VAPORIZER NEAR FURNITURE WILL CAUSE WOOD TO SWELL AND FINISH TO PEEL.
- DO NOT STORE THE CHANGING TRAY IN AREAS OF EXTREME TEMPERATURES AND CONDITIONS, SUCH AS HOT ATTICS OR COLD, DAMP BASEMENTS. BOTH OF THESE EXTREME CONDITIONS MAY CAUSE THE WOOD TO CRACK AND GLUE JOINTS TO LOOSEN, RESULTING IN STRUCTURAL FAILURE.
- AN OCCASIONAL WAXING, PLUS REGULAR CLEANING WITH MILD SOAP ON A SOFT CLOTH, FOLLOWED BY CLEANING WITH A DAMP CLOTH AND AFTERWARDS A DRY CLOTH WILL PRESERVE THE ORIGINAL LUSTER AND BEAUTY OF THIS FINE FINISH.



4300 Northlake Ct, Ste E, Charlotte, NC 28216

Phone: 980-585-1460
www.rominafurniture.com