



GABRIEL SCOTT

EST. 2012



## Welles by Michelle Gerson

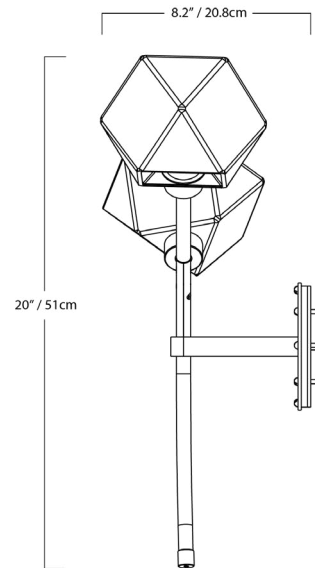
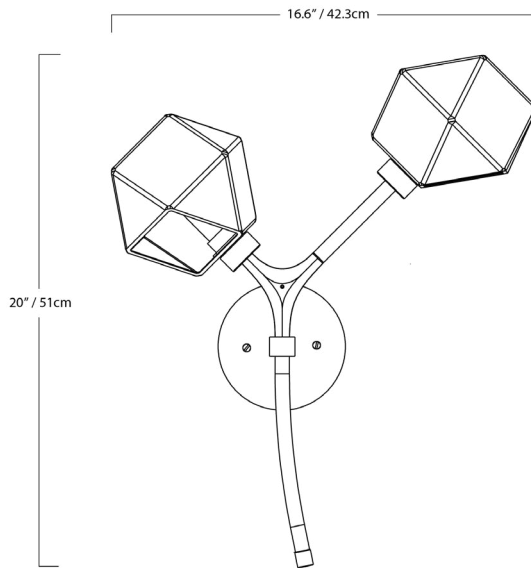
Double Sconce

in Satin Brass & Alabaster White

**MICHELLE  
GERSON  
INTERIORS**

Michelle Gerson's interpretation of the Welles is inspired by the current climate and post pandemic mood. She turned to nature, bringing in a floral element to represent growth and bloom, alluding to the rebirth of a classic Gabriel Scott design. The softer, organic lines and delicate perforated leaves, juxtapose perfectly with the harder geometric shape of the Welles glass modules.

The Welles Double Sconce by Michelle Gerson pairs back the decorative design to reveal a simplistic branch like wall fixture. Michelle Gerson's capsule collection also includes a large, small & vertical chandelier and pendant.



## SPECIFICATIONS

### Standard Finishes:

Blown Glass: Alabaster White

Metal: Blackened Steel, Satin Nickel, Satin Brass, Satin Copper or Satin Bronze

### Specifications:

Dimensions: 16.6" W x 8.2" D x 20" H

42.3 cm W x 20.8 cm D x 51 cm H

Weight: 6.8 lbs / 3.09 kg

Light Source: 12V 6 Watt LED (included)

LED Drivers: CCT9W500 - 110V  
UVC1225TD - 220V

Total Wattage (nominal): 6.2 w  
Lumens (total): 1360 lm

### Canopies:

Standard Canopy: 5" x 0.5" / 12 cm x 1.3 cm

Deep Canopy: Available upon request.

Custom finishes available upon inquiry.

Made and assembled in Canada.

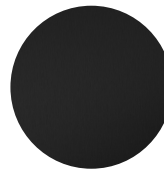
## STANDARD FINISHES

### Blown Glass:

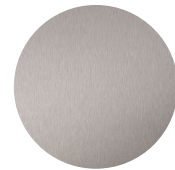


Alabaster White

### Metal:



Blackened Steel



Satin Nickel



Satin Brass



Satin Copper

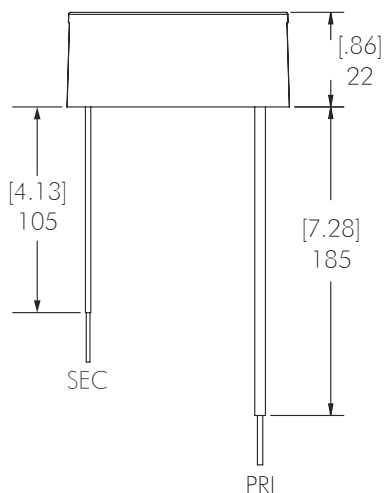
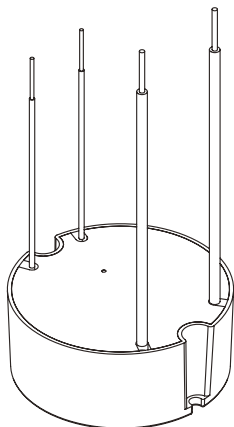
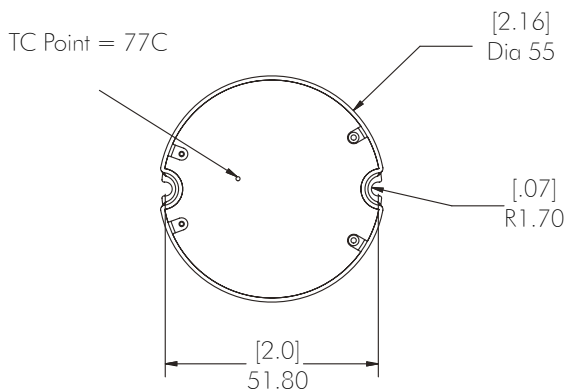


Satin Bronze

# LED DRIVER

## CCT9W500 - 110V

Magnitude's CCT Series dimmable Constant Current LED driver is class 2 rated and designed to operate with MLV, ELV and CL dimmer switches (forward phase/ reverse phase / TRIAC). The driver's low profile case allows OEM's to easily incorporate it into Luminaires. A 5-year warranty is a standard on all of Magnitude's products.



### Features:

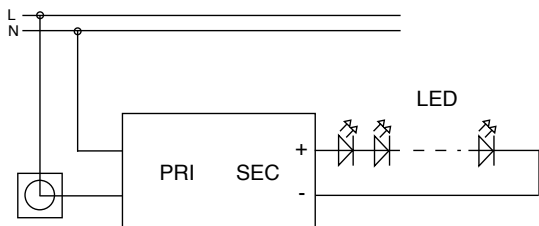
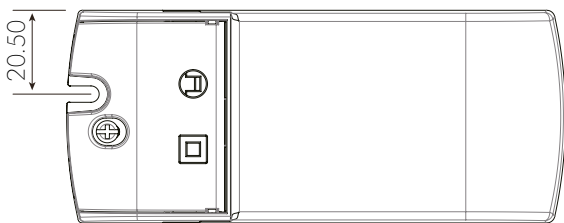
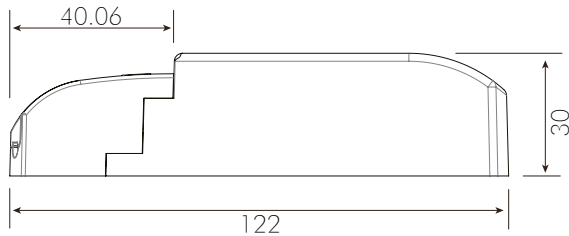
- Dimmable with MLV, ELV and CL dimmer switches (forward phase / reverse phase / TRIAC)
- Dim down to 5%
- Super compact case
- Class 2
- UL 8750
- Complies with FCC Part 15B
- Auto-Reset protection for short circuits, over-voltage and over-temperature

### Specifications:

Input voltage	100 - 120VAC
Max output voltage	9W
Output voltage range	12 - 18.5 VDC
Output current range	500mA Nominal - 525 Max
Rated output power	6 - 9.25W
Efficiency at max load	> 82 %
THD at max load	< 20 %
Power factor at max load	> 0.9
Environment protection rating	IP21 - Dry and damp location
Tc case max	77c
Ambient op. temp.	-20c ~ 60c
Operating humidity	10% - 60%
Lifetime	50KHrs
Over voltage protection	Auto recovery
Open circuit protection	Max output voltage
Short circuit protection	Auto recovery
Surge protection	1KV
Weight	82g
Dimensions (inches)	2.16" D x 0.86" H
Dimensions (cm)	5.5cm D x 2.2cm H
Placement	Designed to fit in standard 4" junction box

# LED DRIVER

## UVC1225TD - 220V



### Features:

- Constant voltage output
- Fully isolated
- Short circuit, over current and over voltage protection up to 80% efficient
- Fire resistant plastic cover
- Compatible with leading and trailing edge dimmers
- 10 ~ 100% Dimming Load
- 10 ~ 100% Dimming range
- Mains dimmable
- Push terminals for easy installation
- IP44 design for indoor use
- 2 years warranty

### Specifications:

Voltage	220V ~ 240VAC
Frequency	50-60 Hz
Current	0.2A
Inrush Current	<2.5A
Power Factor	0.95
Load Voltage	12V
No Load Voltage	12V
Current	2.08Av
Power	25W
Power Factor	> 0.95
Efficiency	80%
Over Load	Auto Recovery
Short Circuit	Auto Recovery
Over Voltage	Auto Recovery
Operating Temperature	-20 ~ +50°C
Storage Temperature	-40 ~ +70°C
Relative Humidity	5 - 95%
Safety Standard	Design refers to EN60598, EN61547, ENV55024, EN61000-4-2, 3, 4, 6, 8,11, EN61000-3-2, EN61000-3-3
EMI Standard	Meets Emissions to EN55022, EN55015 Class B
Lifetime	50K hrs at TC max (70c)
Weight	110g
Dimensions (inches)	4.8" x 2" x 1.2"
Dimensions (cm)	12.2 cm x 5.2 cm x 3 cm