

# WELLES

Sconce by David Rockwell

INSTALLATION GUIDE

GABRIEL SCOTT

- Certified electrician recommended for electrical installation.
- Minimum 2 people recommended for installation.
- Terminal Block not included. Installation may require advice from a qualified person.
- Junction box rated for minimum of 100lbs or structural blocking required to support fixture.
- Structural blocking required at monopoint locations, adequate drywall plugs may be substituted.
- For all LED fixtures, use only with class 2 power unit.
- The light source contained in this luminaire shall only be replaced by the manufacturer or his service agent or a similar qualified person. Contact manufacturer for service.
- For controllable luminaires, the classification of insulation that has been maintained between LV supply and control conductors shall be provided: basic insulation, reinforced insulation etc.

PLEASE READ THIS BEFORE INSTALLATION:

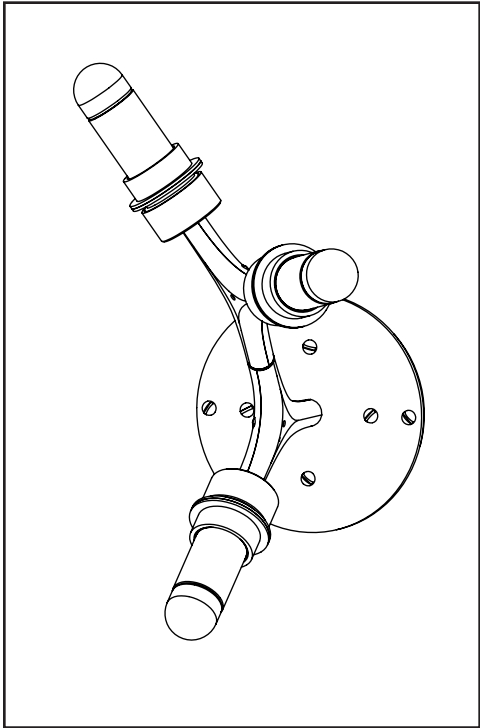
**IMPORTANT:** Please provide email confirmation that your order and its related components have been received in their entirety and in good condition. Failure to do so within 7 days of delivery will waive all product warranties.

+1 (212) 837-2923  
support@gabriel-scott.com

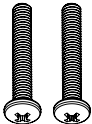
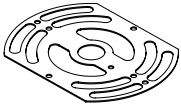
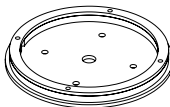
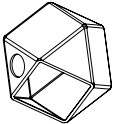
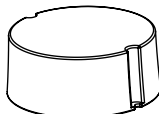


FILE#: E488971  
FILE#: E503097

FIXTURE



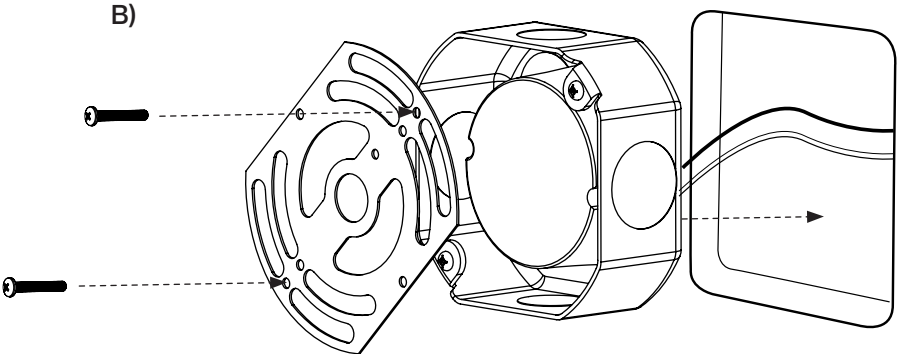
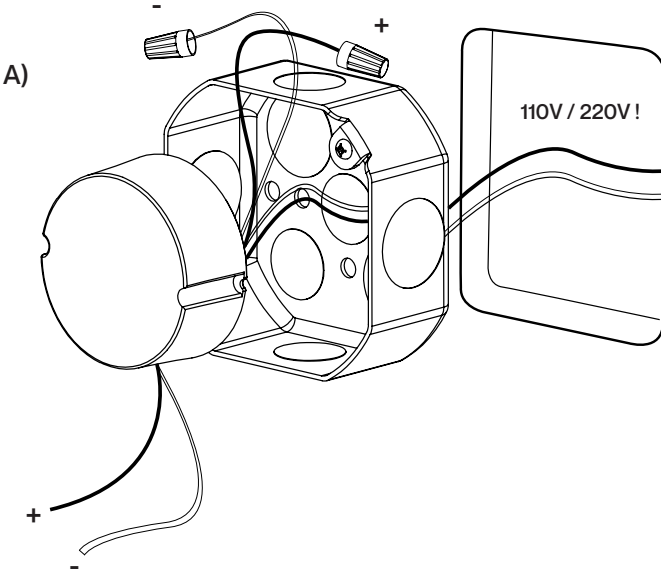
ALSO SHIPPED

			
#8-32 screws 4x	Universal cross bar 1x	Canopy 1x	Glass volumes x3
			
LED driver 1x			

## 01.

Using wire terminals, connect the LED driver to the main power source. Secure the LED driver in remote location by also making sure to keep access to the output wires. Install the driver within 100ft of the fixture. Refer to the driver documentation for more informations.

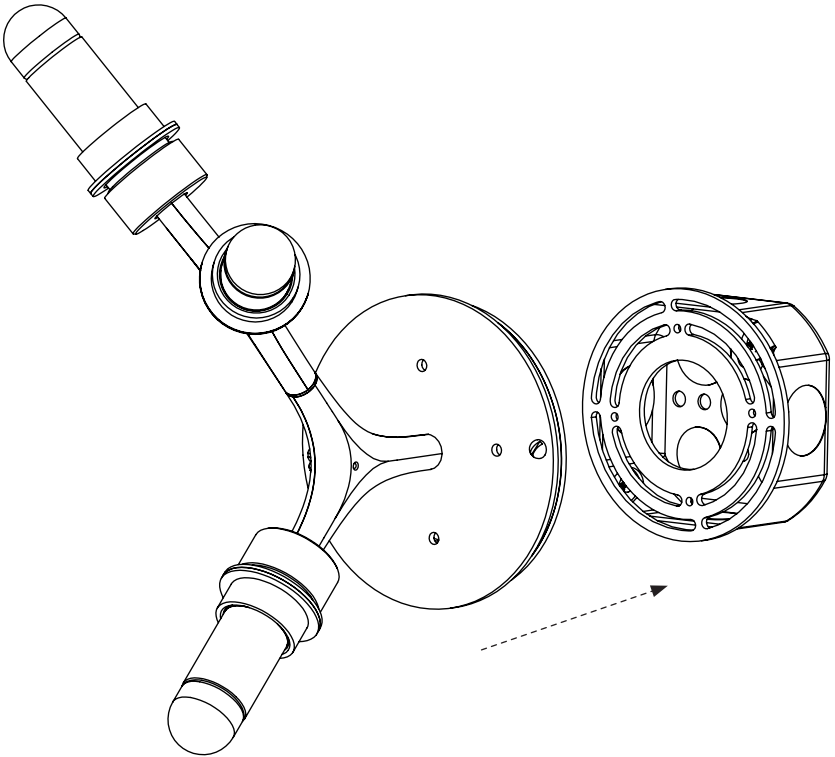
Insert the junction box back in the wall hole. Install the universal cross bar to the wall with appropriate screws.





## 02.

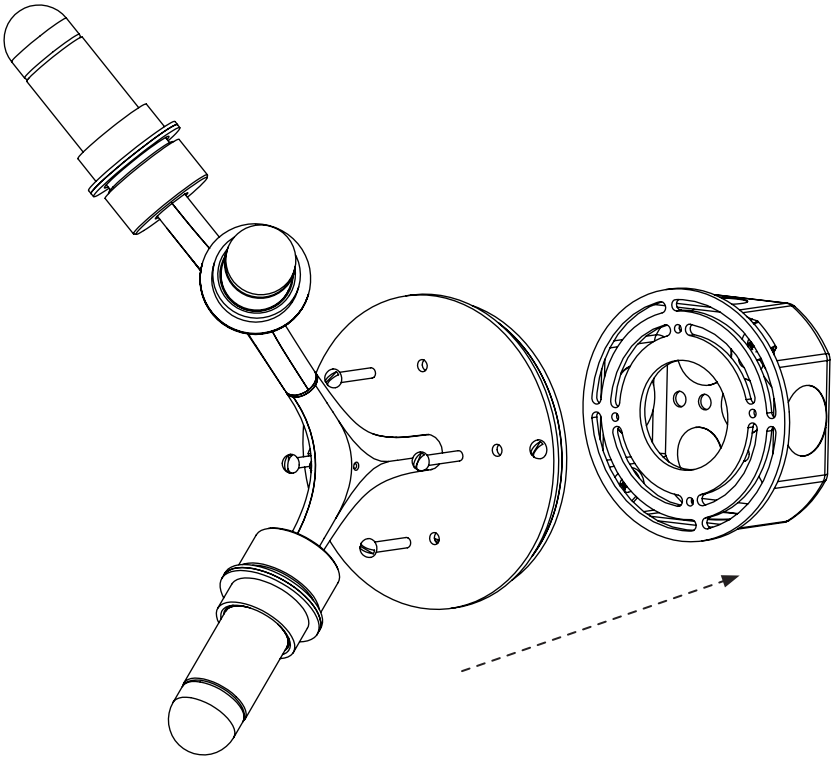
Connect the double sconce fixture to the LED driver.





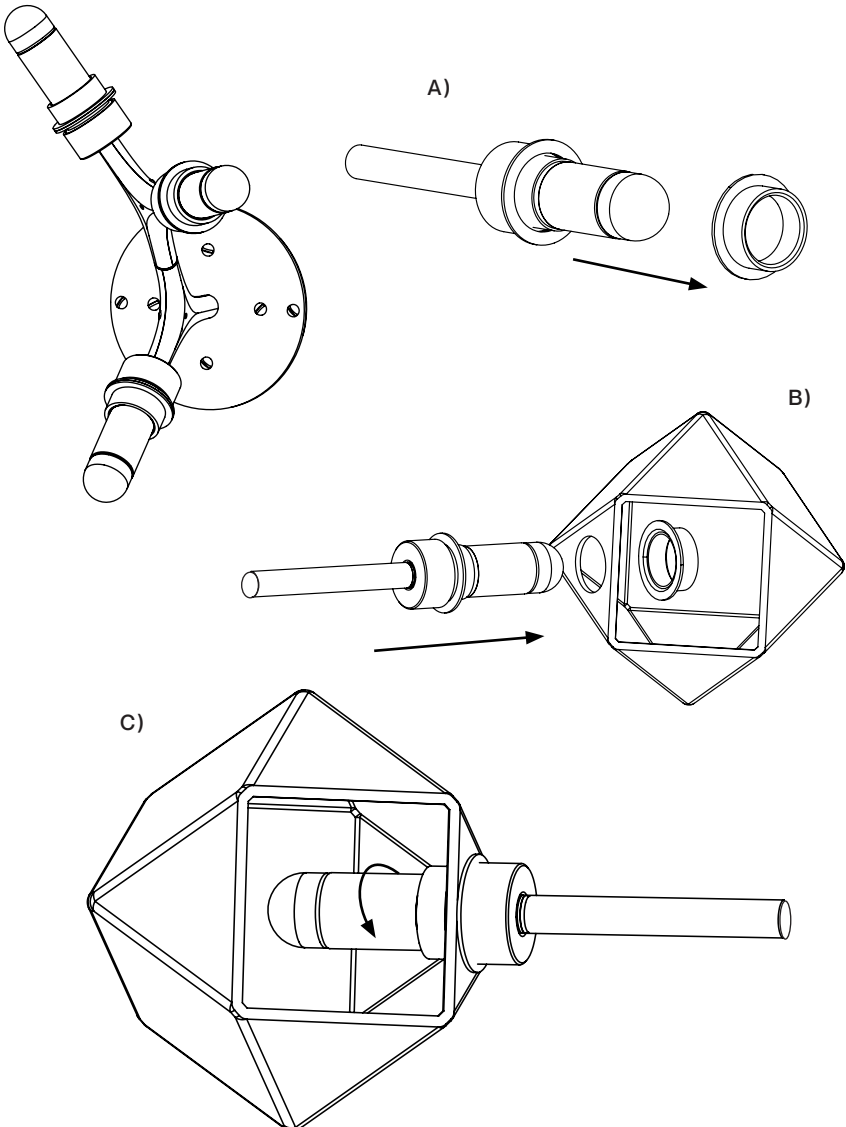
### 03.

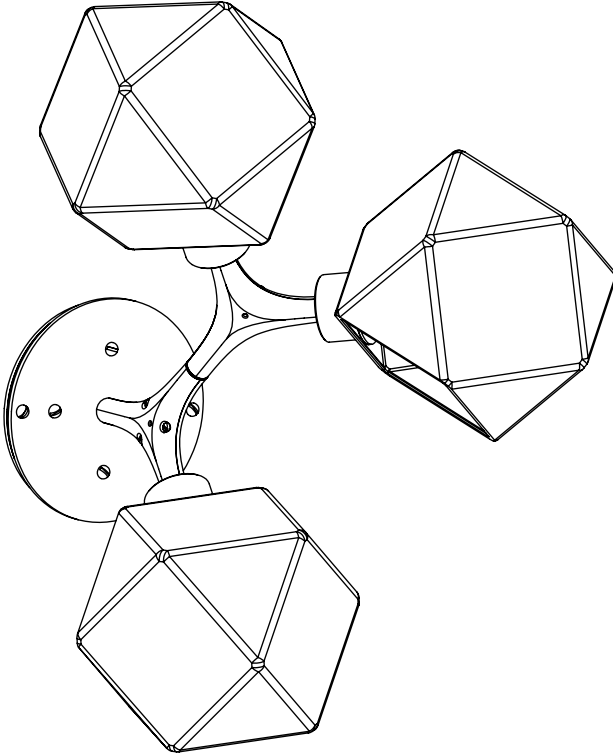
Using provided screws, install the fixture to the universal cross bar.



## 04.

Using wire terminals, connect the LED driver to the Luna Fixture (Maximum distance 100', use 12-18AWG (1.0-2.5mm)). The outer metallic casing of the coaxial cable is Negative (-) and the black wire is Positive (+).





**You have successfully installed your Welles Gerson chandelier!**





For other questions, please consult our website:  
[www.gabriel-scott.com](http://www.gabriel-scott.com)



[info@gabrielscott.com](mailto:info@gabrielscott.com)  
(646) 783-3770