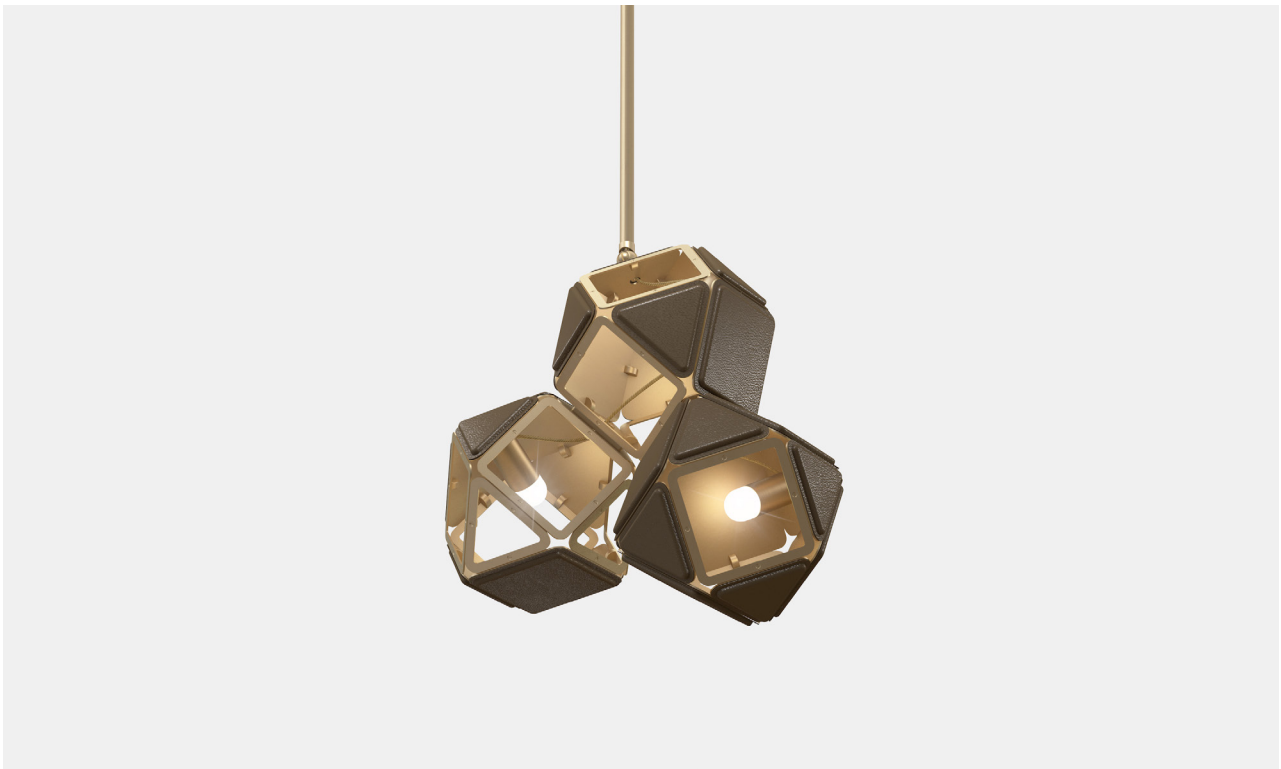




GABRIEL SCOTT

EST. 2012



**Welles by
Sybille de Margerie**
Triple Pendant

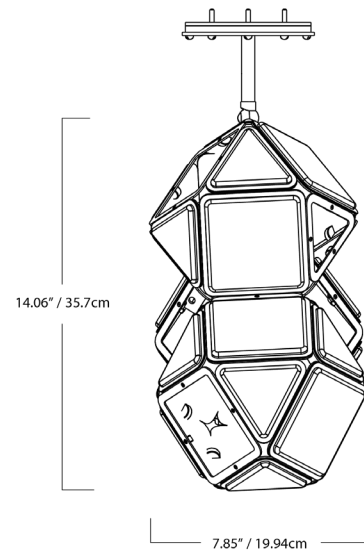
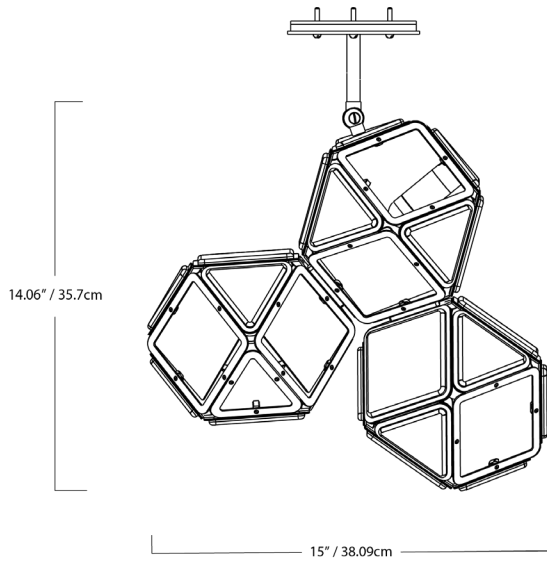
in Satin Brass & Sparrow
Brown Leather



SYBILLE DE MARGERIE
PARIS

As a contrast to the original Welles sharp metal and glass silhouette, Sybille de Margerie has created a new interpretation revealing the feminine side of her signature design style. Couture-inspired, her Welles Reimagined capsule collection shows a gradient composition from emptiness to fullness, with a variation of hollow and plain shapes.

Fully customizable, Sybille has used soft, rounded moveable padded magnetic leather panels to create a subtle 3D effect, thus creating new light effects and shadow. The Welles Pendant by Sybille de Margerie demonstrates a more rigid structure, highlighting the intricacy of the modules design. The capsule collection comprises a Long, Central and Vertical Chandelier, as well as a Triple Pendant and Single Sconce.



SPECIFICATIONS

Standard Finishes:

Vegan Leather: Sparrow Brown, Nude, Gray, Navy or Black

Metal: Blackened Steel, Satin Nickel, Satin Brass, Satin Copper or Satin Bronze

Specifications:

Dimensions: 15" W x 7.85" D x 14.06" H + Stem

38.09 cm W x 19.94 cm D x 35.7 cm H + Stem

Weight: 12.08 lbs / 5.48 kg

Light Source: 12V 6 Watt LED (included)

LED Drivers: E60L12DC-KO - 110V
UVC1250TD - 220V

Total Wattage (nominal): 9.3 w
Lumens (total): 2040 lm

Stems & Canopies:

Standard Stem Lengths: 6", 12", 18" or 24"

15 cm, 31 cm, 46 cm or 61 cm

Additional Stem Lengths: 30", 36", 42" or 48"

76 cm, 91 cm, 107 cm or 122 cm
(up-charge applies)

Standard Canopy: 5" x 0.5" / 12 cm x 1.3 cm

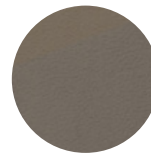
Deep Canopy: Available upon request.

Custom finishes available upon inquiry.

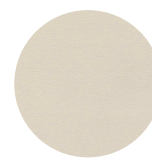
Made and assembled in Canada.

STANDARD FINISHES

Vegan Leather:



Sparrow Brown -
Vegan Leather



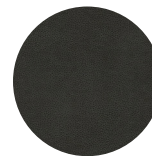
Nude - Vegan
Leather



Gray - Vegan
Leather

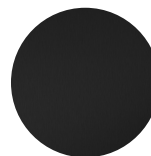


Navy - Vegan
Leather

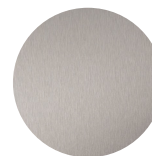


Black - Vegan
Leather

Metal:



Blackened Steel



Satin Nickel



Satin Brass



Satin Copper

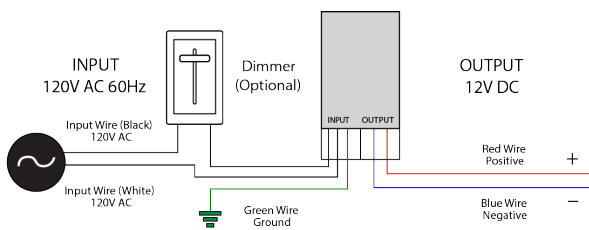
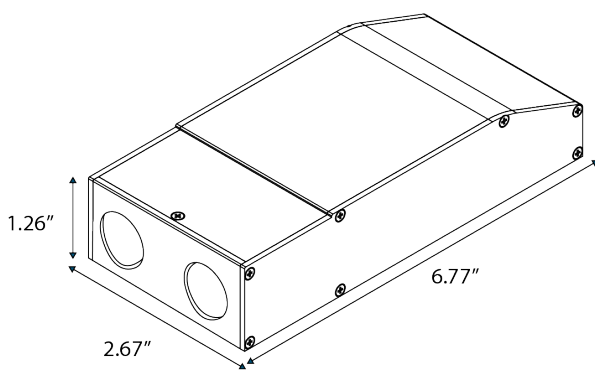


Satin Bronze

LED DRIVER

E60L12DC-KO - 110V

Magnitude's E60L12DC-KO dimmable voltage LED driver is class 2 rated and designed to operate with any standard MLV/ Incandescent TRIAC (Leading edge) dimmer switch. Encased in a low profile aluminum enclosure that includes 2 knock-outs to enable easy installation makes it the perfect choice for under cabinet lights, tape lights and various LED fixtures installations. Our electrical specification includes Auto Reset, over current and short circuit protection. Efficiency of 90% and higher allows the driver to operate at low temperatures.



Features:

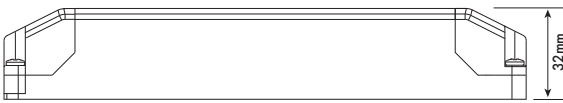
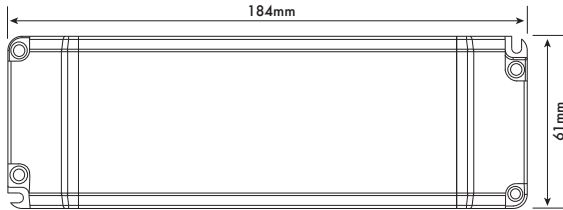
- Dimmable with any standard MLV/Incandescent TRI-AC- (Leading edge) dimmer switch.
- Super compact ALUMINUM CASE.
- Class 2
- UL 8750
- IP67 - Withstands wet and salty conditions.
- Nema 3R - Outdoor Use
- Auto-Reset Protection for short circuits & over-voltage.
- FCC 15 part 2
- 12V DC True RMS

Specifications:

Max Load	60W
Input Voltage	120V AC
Input Current at Max Load	0.61 A
Output Voltage	12V DC
Output Current at Max load	5.26 A
Power Factor	0.95
Efficiency	> 90 %
Operating Temp.	-20c - 70c (-4F -158F)
Short Circuit Protection	Yes
Overcurrent Protection	Yes
Over Temperature	Yes
Open Circuit Protections	Yes
Input Wires (White / Black)	14 AWG
Output Wires (Red / Black)	18 AWG
Weight	481g
Dimensions (inches)	6.77" x 2.67" x 1.26"
Dimensions (cm)	17.2 cm x 6.8 cm x 3.2 cm

LED DRIVER

UVC1250TD - 220V



Features:

- Constant voltage output
- Fully isolated
- Short circuit, over current and over voltage protection up to 80% efficient.
- Fire resistant plastic cover
- Compatible with leading and trailing edge dimmers
- 20 - 100% Dimming Load and Dimming range
- Mains dimmable
- Screw terminals
- IP44 design for indoor use
- 2 years warranty

Specifications:

Part Code	UVC1250TD UVC2450TD
Voltage	220V ~ 240VAC
Frequency	50-60 Hz
Current	0.4A
Inrush Current	<2.5A
Power Factor	0.95
Load Voltage	12V
No Load Voltage	12V
Current	4.16A
Power	50W
Power Factor	>0.95
Efficiency (TYP)	>80%
Over Load	Auto-recovery
Short Circuit	Auto-recovery
Over Voltage	Auto-recovery
Operating Temperature	-20 ~ +50°C
Storage Temperature	-40 ~ +70°C
Relative Humidity	5 ~ 95%
Lifetime	50K hrs at TC max (85°C)
Connections	Screw terminal on I/P & O/P
Weight	200g
Dimensions (inches)	7.2" x 2.4" x 1.25"
Dimensions (cm)	18.4 cm x 6 cm x 3.2 cm