

WELLES

Pendant by David Rockwell

INSTALLATION GUIDE

GABRIEL SCOTT

- Certified electrician recommended for electrical installation.
- Minimum 2 people recommended for installation.
- Terminal Block not included. Installation may require advice from a qualified person.
- Junction box rated for minimum of 100lbs or structural blocking required to support fixture.
- Structural blocking required at monopoint locations, adequate drywall plugs may be substituted.
- For all LED fixtures, use only with class 2 power unit.
- The light source contained in this luminaire shall only be replaced by the manufacturer or his service agent or a similar qualified person. Contact manufacturer for service.
- For controllable luminaires, the classification of insulation that has been maintained between LV supply and control conductors shall be provided: basic insulation, reinforced insulation etc.

PLEASE READ THIS BEFORE INSTALLATION:

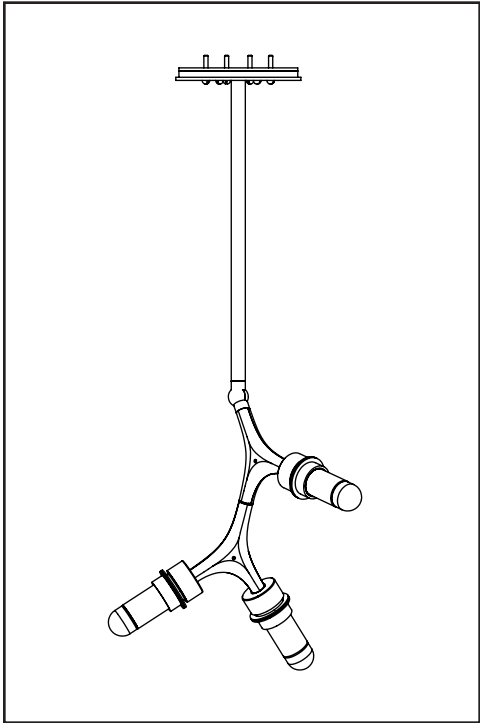
IMPORTANT: Please provide email confirmation that your order and its related components have been received in their entirety and in good condition. Failure to do so within 7 days of delivery will waive all product warranties.

+1 (212) 837-2923
support@gabriel-scott.com

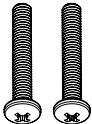
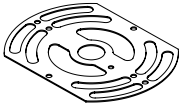
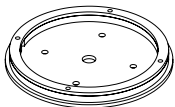
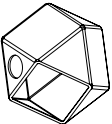
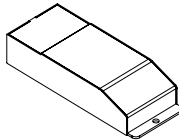


FILE#: E488971
FILE#: E503097

FIXTURE

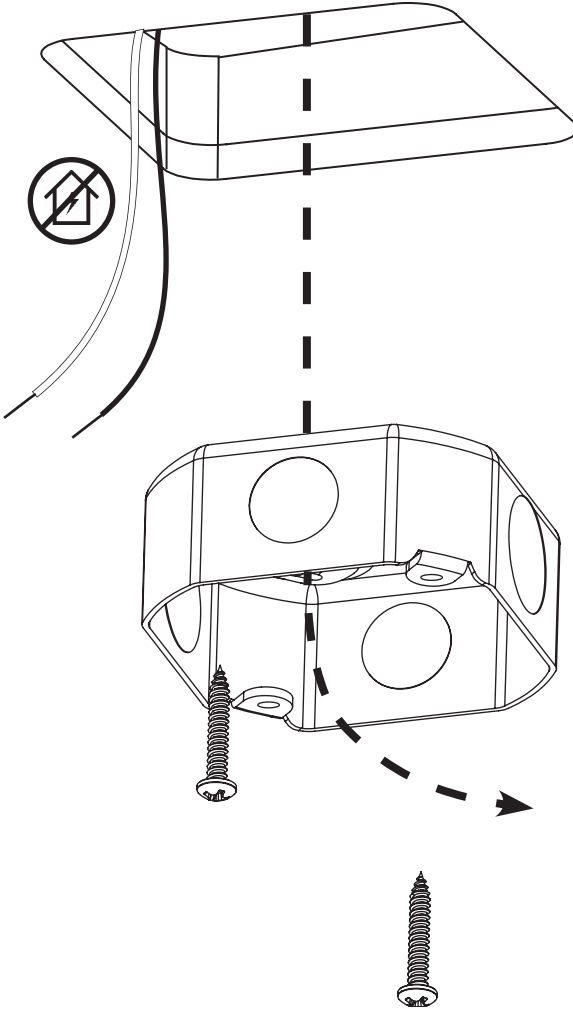


ALSO SHIPPED

			
#8-32 screws x4	Universal cross bar x1	Canopy x1	Glass volumes x3
			
LED driver x1			

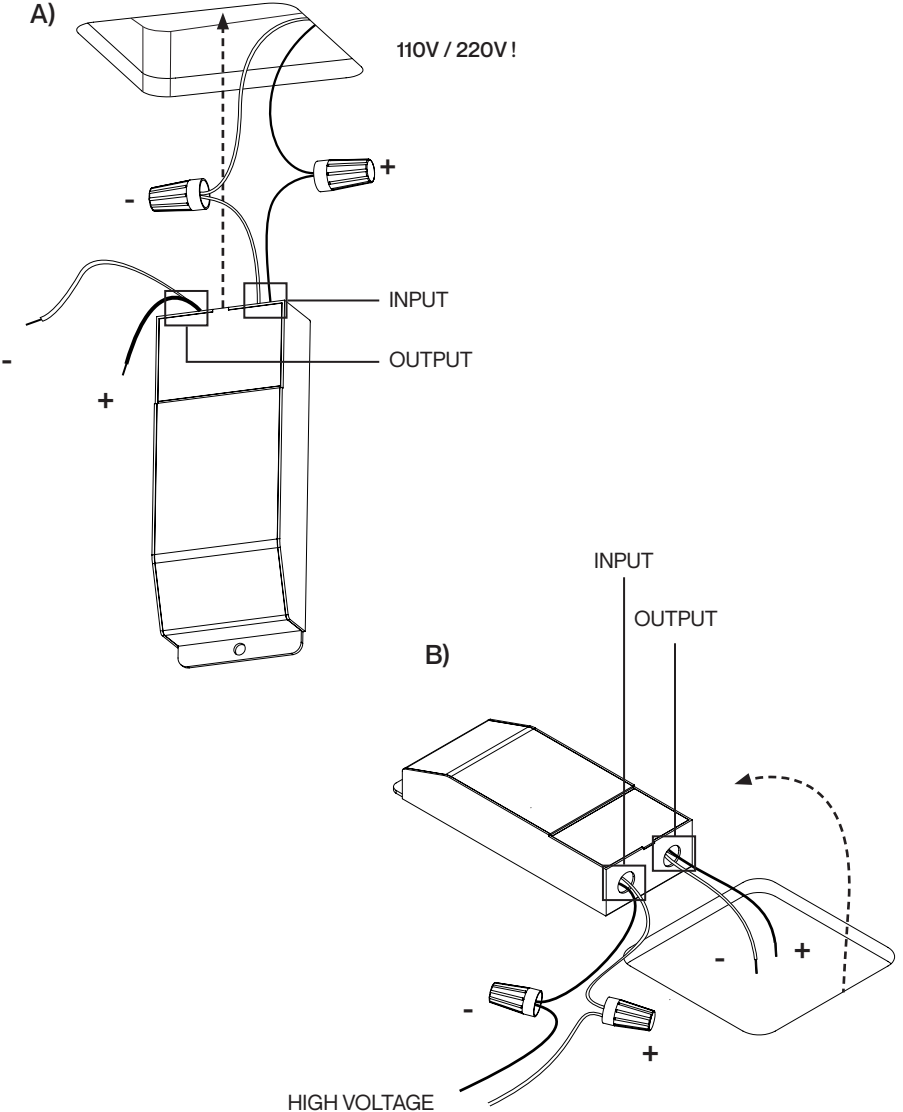
01.

Insert the junction box back in the ceiling hole. Install the universal cross bar to the ceiling with screws of your choice.



02.

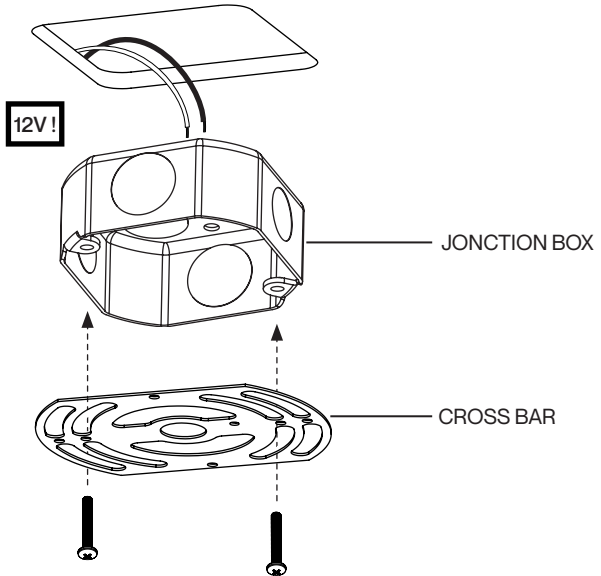
Using wire terminals, connect the LED driver to the main power source. Secure the LED driver in remote location by also making sure to keep access to the output wires. Make sure to keep the driver inside a 100 ft distance of the fixture. Refer to the driver documentation for more informations.



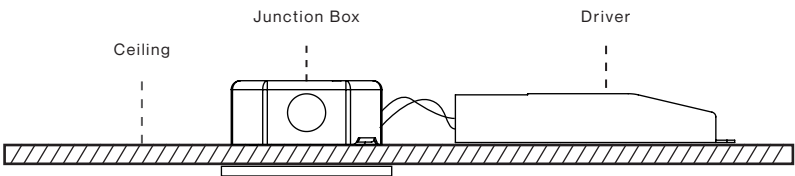


03.

Insert the junction box back in the ceiling hole. Install the universal cross bar to the ceiling with screws of your choice.



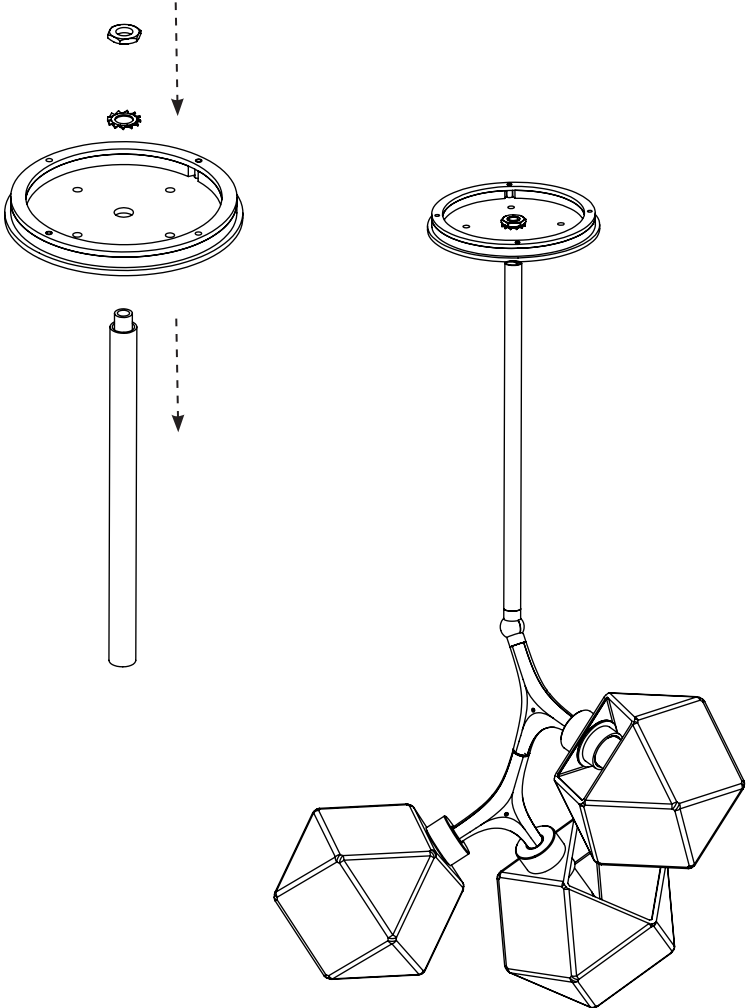
Ceiling Elevation





04.

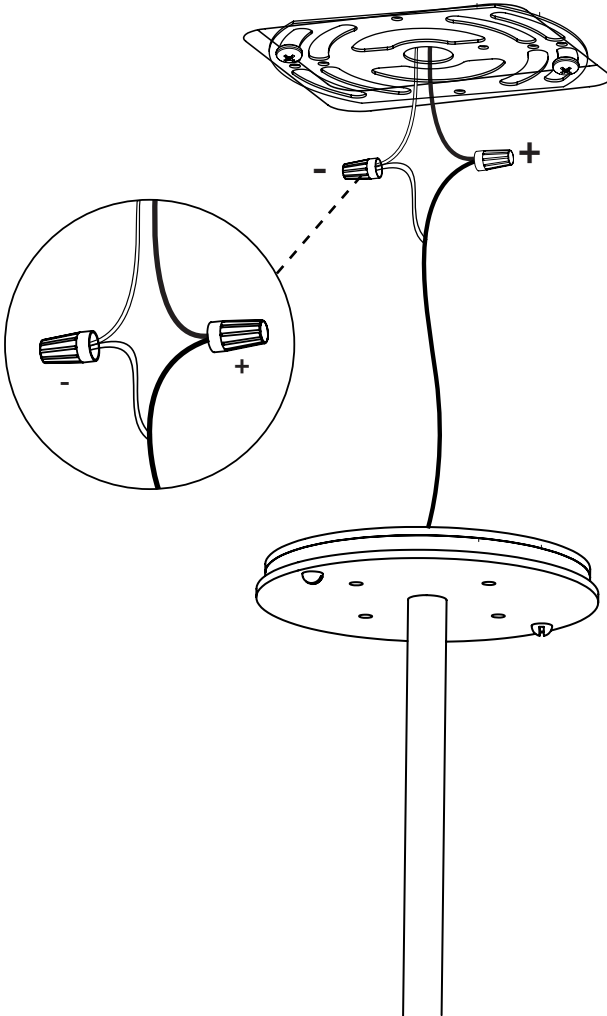
Install the canopy on the stem rod using the threaded nipple and tighten with hex nut.





05.

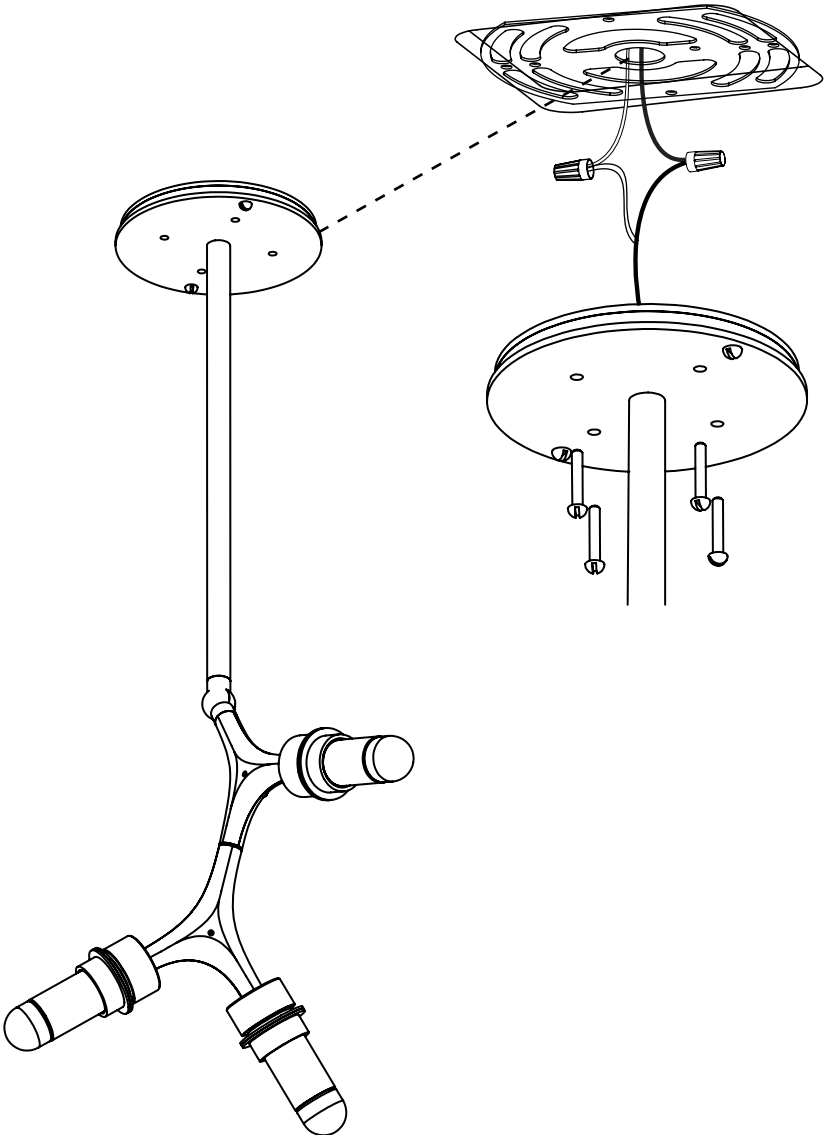
Wire the chandelier to the LED driver.





06.

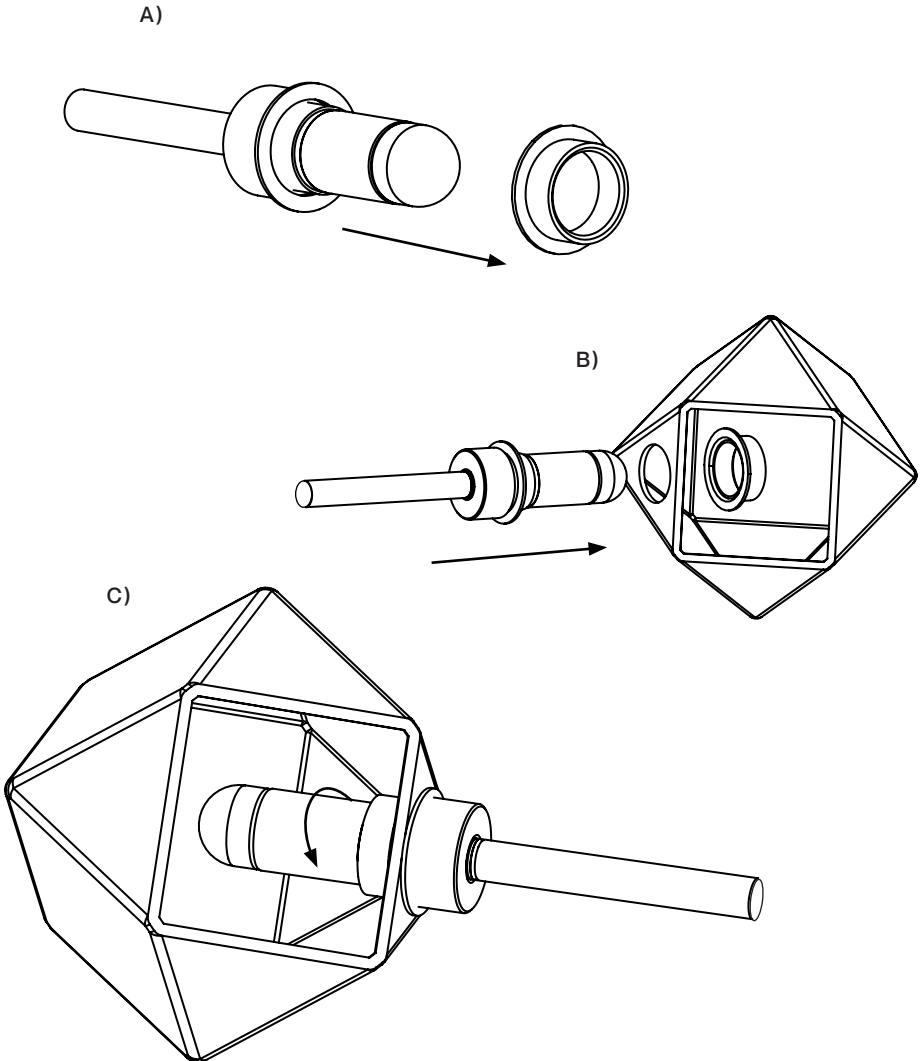
Using provided screws, install the fixture to the universal cross bar.

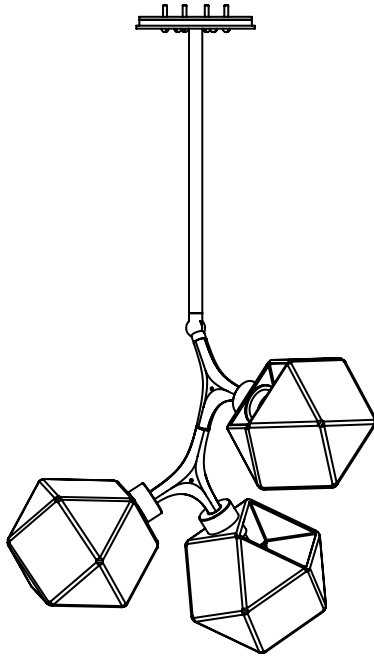


07.

Install the glass globes by unscrewing the retaining ring and carefully slide the globes in place. Screw the retaining ring back firmly.

Optional: Orient the glass opening so that it faces away from the line of sight.





**You have successfully installed your Welles Rockwell
chandelier!**

For other questions, please consult our website:
www.gabriel-scott.com



info@gabrielscott.com
(646) 783-3770