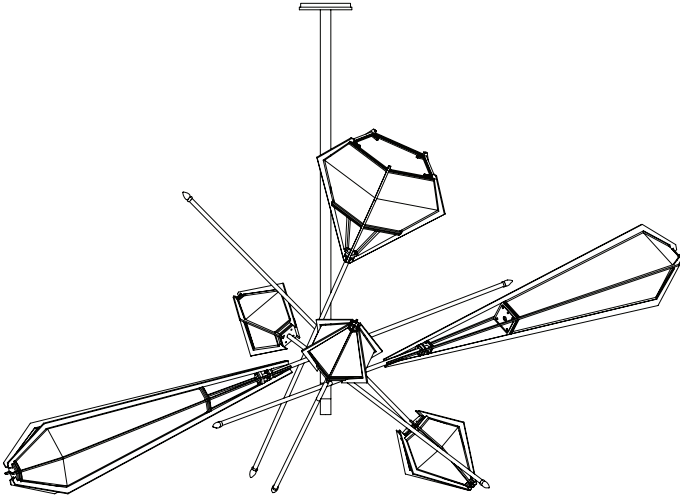




FILE#: E488971

FILE#: E503097



HARLOW

Chandelier

Installation Guide

- Suspended mounted only
- Certified electrician recommended for electrical installation.
- Terminal Block not included. Installation may require advice from a qualified person.
- For all LED fixtures, use only with class 2 power unit.
- The light source contained in this luminaire shall only be replaced by the manufacturer or his service agent or a similar qualified person. Contact manufacturer for service.
- For controllable luminaires, the classification of insulation that has been maintained between LV supply and control conductors shall be provided.... basic insulation, reinforced insulation etc.
- Junction box or structural blocking rated minimum to support 100 lbs required.

*** IMPORTANT: Please provide email confirmation that your order and its related components have been received in their entirety and in good condition. Failure to do so within 7 days of delivery will waive all product warranties.**

GABRIEL SCOTT

CST 2012



Provided supplies

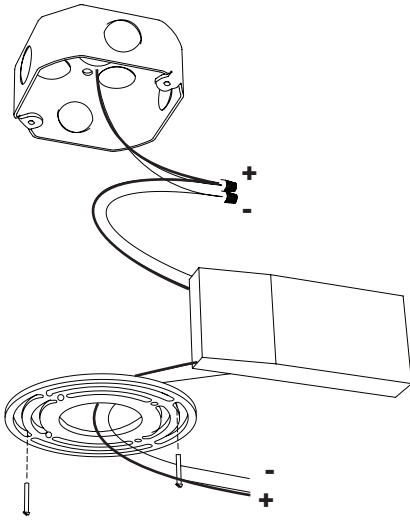
- Primary stem assembly
- Alphabetized glass heads
- Alphabetized tails
- Universal T-bar
- Installation screws and set screws
- Allen key for set screw

Required tools and hardware

- Screwdriver
- 4x 2-pole wiring terminals, screws or screwless, 12-18AWG (1.0-2.5mm²) rated for 600V, 15A / ex: WAGO 222-412
- LED driver; input: local line voltage, output: 12Vdc SELV, 5A, Max 60 watt, Class 2 LED driver

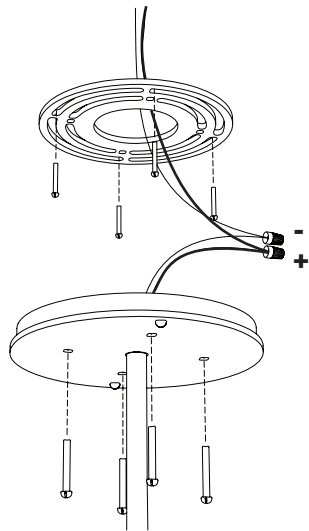
STEP 1

Shut down associated electrical breaker and wire LED driver to power source using wiring terminals. Install universal canopy to junction box in ceiling.



STEP 2

Using wire terminals, connect the LED driver to the fixture (Maximum distance 100', use 12-18AWG (1.0-2.5mm²)). The white wire is Negative (-) and the black wire is Positive (+). Finally install the universal T-bar and then secure the canopy to the T-bar using the screws provided.

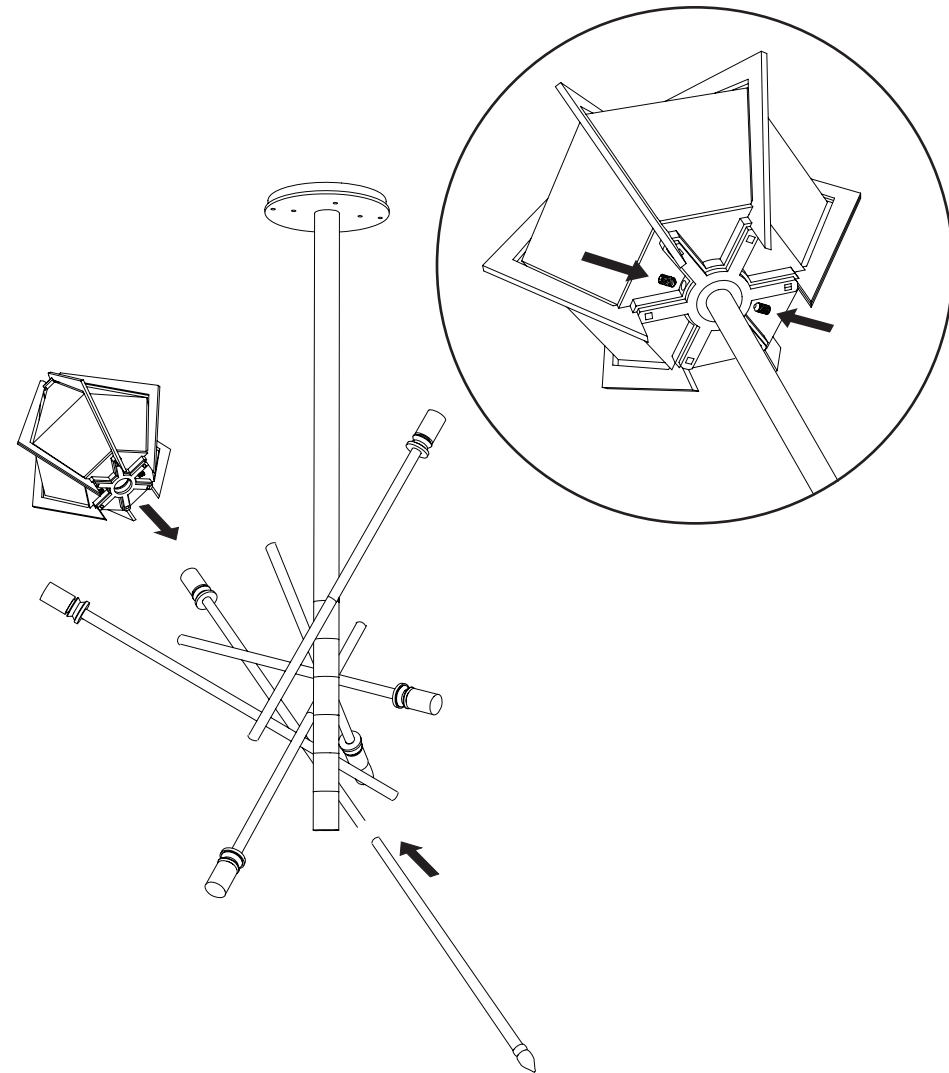


STEP 3

Attach each glass head to corresponding rod on the primary stem assembly. Tighten set screws on both side of each glass head to lock in place. See diagram below.

STEP 4

Attach each alphabetized tail to the corresponding rod on the primary stem assembly.





info@gabrielscott.com
(646) 783-3770