

WELLES

Pendant 3 by Michelle Gerson

INSTALLATION GUIDE

GABRIEL SCOTT

- Certified electrician recommended for electrical installation.
- Minimum 2 people recommended for installation.
- Terminal Block not included. Installation may require advice from a qualified person.
- Junction box rated for minimum of 100lbs or structural blocking required to support fixture.
- Structural blocking required at monopoint locations, adequate drywall plugs may be substituted.
- For all LED fixtures, use only with class 2 power unit.
- The light source contained in this luminaire shall only be replaced by the manufacturer or his service agent or a similar qualified person. Contact manufacturer for service.
- For controllable luminaires, the classification of insulation that has been maintained between LV supply and control conductors shall be provided: basic insulation, reinforced insulation etc.

PLEASE READ THIS BEFORE INSTALLATION:

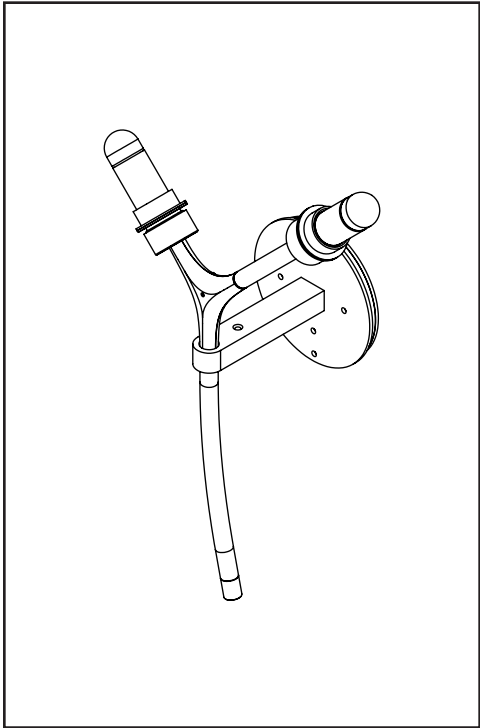
IMPORTANT: Please provide email confirmation that your order and its related components have been received in their entirety and in good condition. Failure to do so within 7 days of delivery will waive all product warranties.

+1 (212) 837-2923
support@gabriel-scott.com

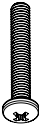

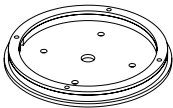
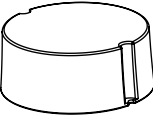
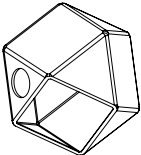


FILE#: E488971
FILE#: E503097

FIXTURE



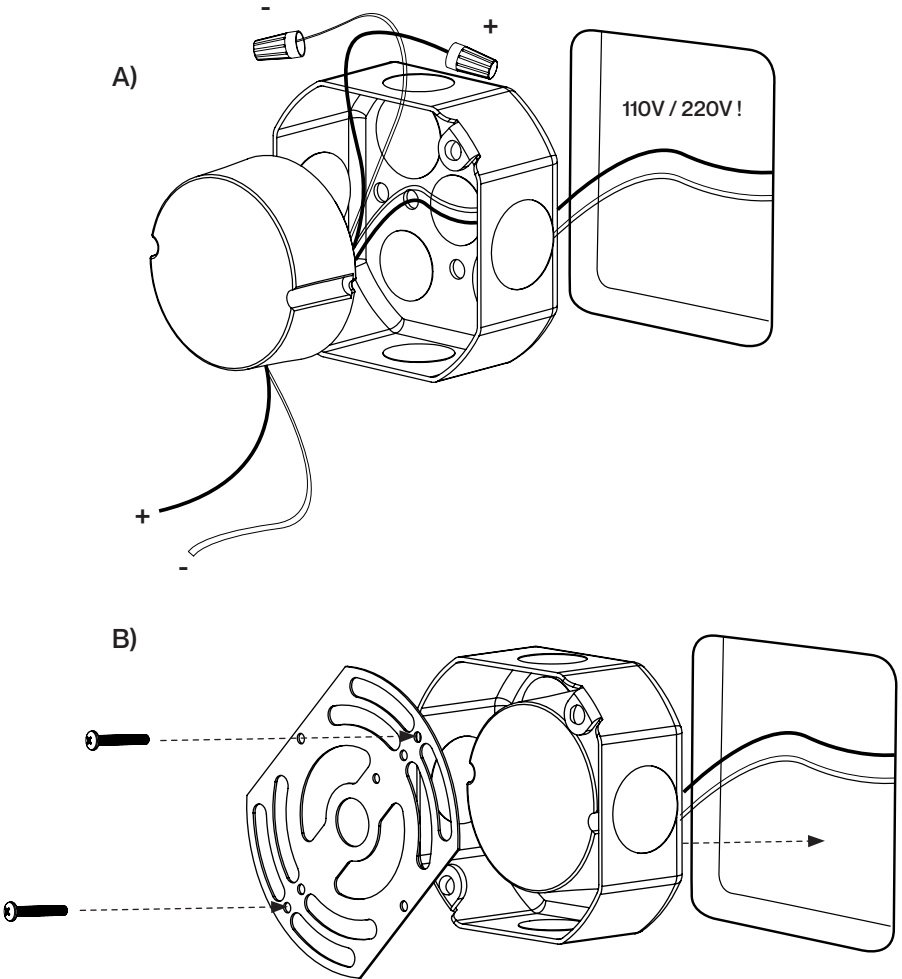
ALSO SHIPPED

		
#8-32 screws 4x	Universal cross bar 1x	Canopy 1x
		
LED driver 1x	Glass volumes 2x	

01.

Using wire terminals, connect the LED driver to the main power source. Secure the LED driver in remote location by also making sure to keep access to the output wires. Install the driver within 100ft of the fixture. Refer to the driver documentation for more informations.

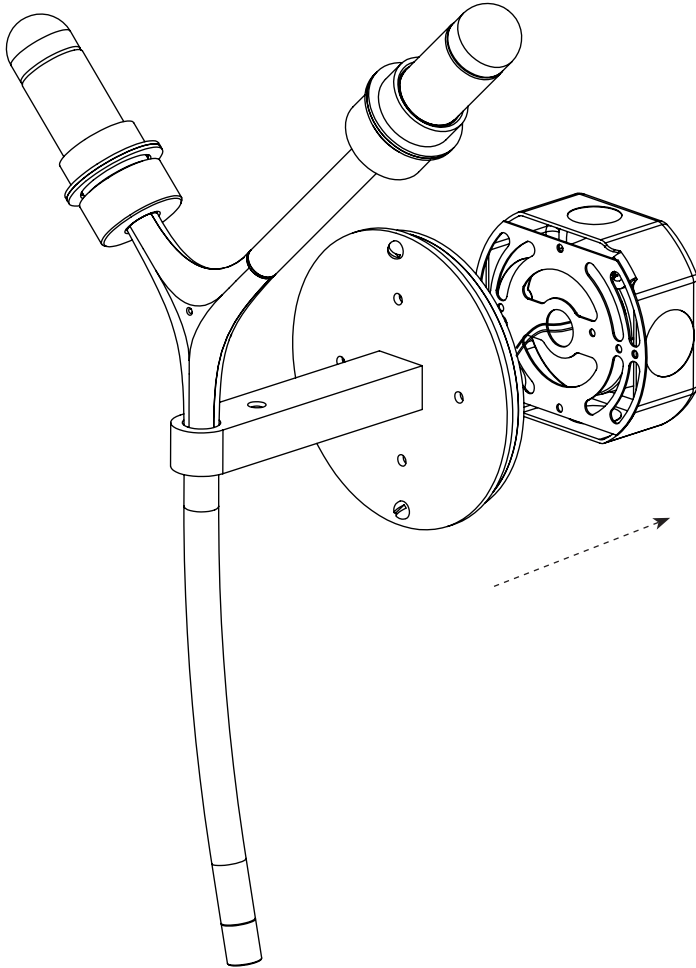
Insert the junction box back in the wall hole. Install the universal cross bar to the wall with appropriate screws.





02.

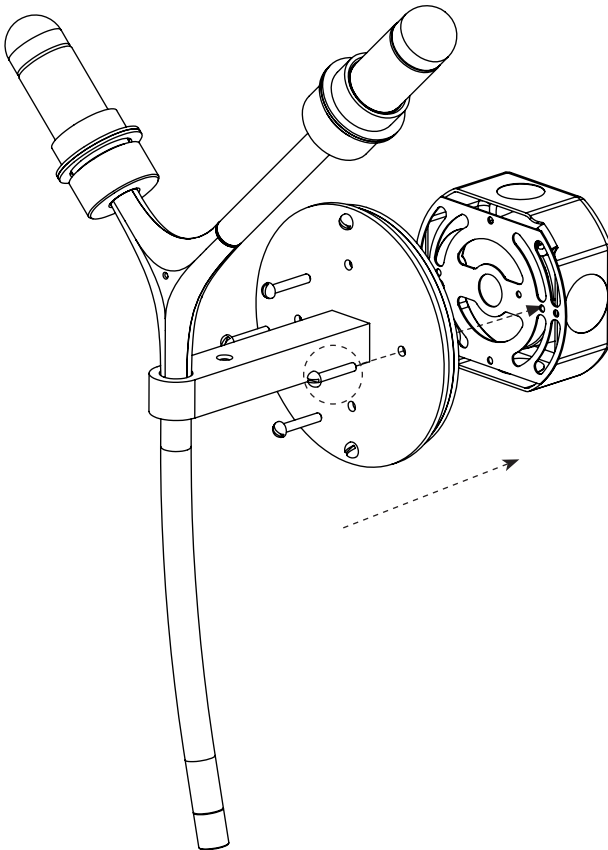
Connect the double sconce fixture to the LED driver.





03.

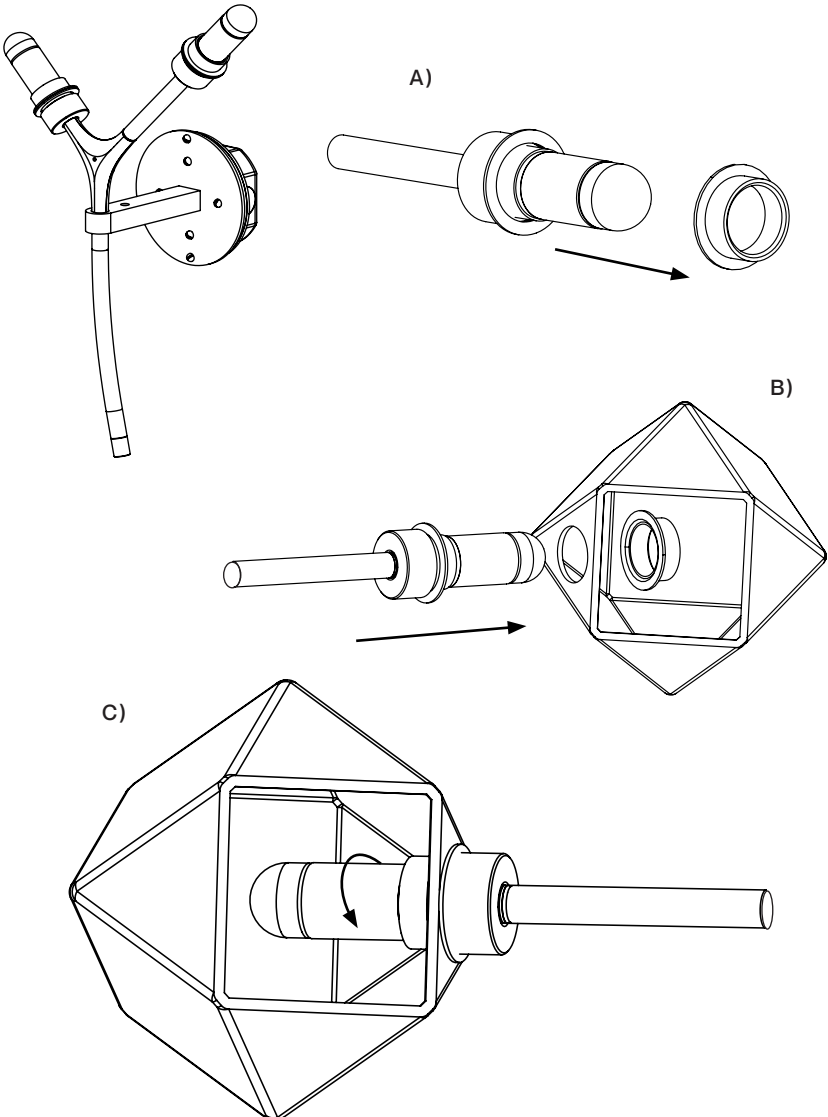
Using provided screws, install the fixture to the universal cross bar.

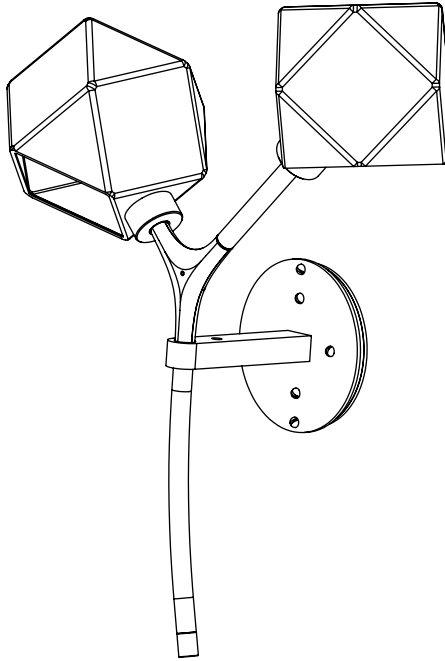


04.

Install the glass globes by unscrewing the retaining ring and carefully slide the globes in place. Screw the retaining ring back firmly.

Optional: Orient the glass opening so that it faces away from the line of sight.





**You have successfully installed your Welles Gerson
Sconce!**



For other questions, please consult our website:
www.gabriel-scott.com



info@gabrielscott.com
(646) 783-3770