

LUNA 2-Tier Chandelier

Installation Guide

- Suspended mount only.
- Certified electrician recommended for electrical installation.
- Minimum 2 people recommended for installation.
- Terminal Block not included. Installation may require advice from a qualified person.
- Junction box rated for minimum of 100lbs or structural blocking required to support fixture.
- Structural blocking required at monopoint locations, adequate drywall plugs may be substituted.
- For all LED fixtures, use only with class 2 power unit.
- The light source contained in this luminaire shall only be replaced by the manufacturer or his service agent or a similar qualified person. Contact manufacturer for service.
- For controllable luminaires, the classification of insulation that has been maintained between LV supply and control conductors shall be provided.... basic insulation, reinforced insulation etc.

*** IMPORTANT: Please provide email confirmation that your order and its related components have been received in their entirety and in good condition. Failure to do so within 7 days of delivery will waive all product warranties.**



e: info@gabrielscott.com
t: (646) 783-3770



GABRIEL SCOTT

EST. 2012

Provided supplies

- 2 Tier Luna fixture
- Hanging template
- Male monopoints
- Universal T-bar
- Installation screws

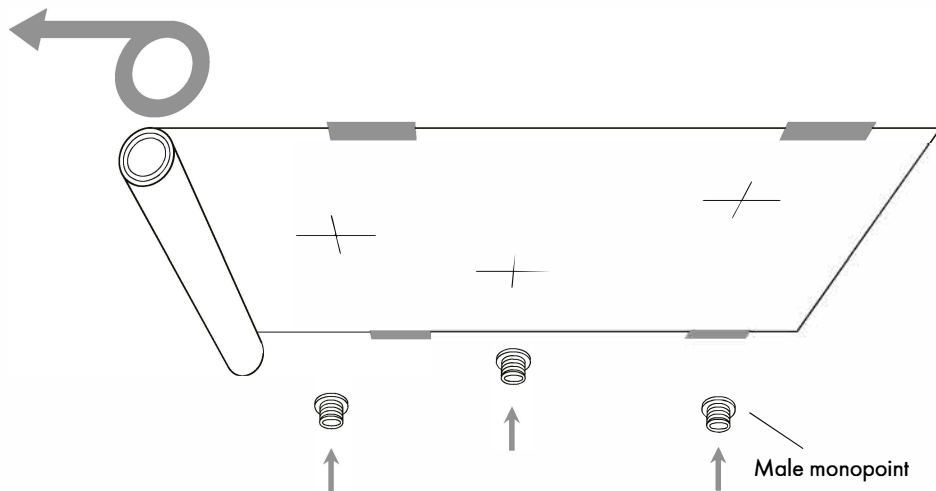
Required tools and hardware

- Screwdriver
- Drywall anchors suitable for 25lbs for mono points
- 4x 2-pole wiring terminals, screws or screwless, 12-18AWG (1.0-2.5mm²) rated for 600V, 15A /
ex: WAGO 222-412
- LED driver; Input: local line voltage, output 24Vdc SELV, 5A, max 60 watt class 2 LED driver

STEP 1

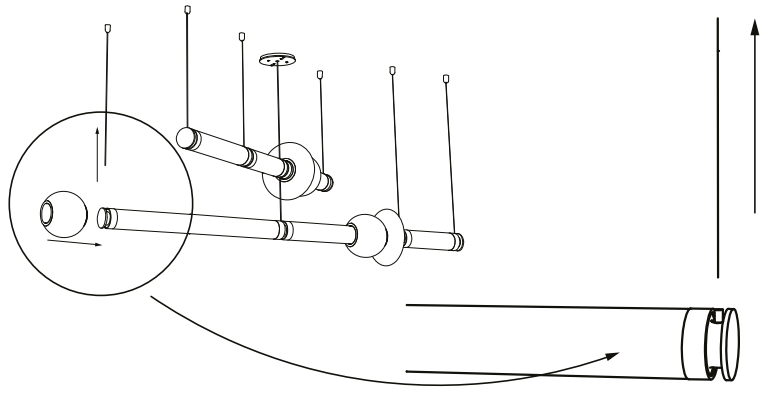
Tape provided 1:1 printed template to ceiling at desired location and install all male monopoints at the cross indicated on the template.

Note: Each anchor point should be capable of supporting 25lbs and therefore adequate blocking or toggle bolts are required for proper support at the location of each male monopoint.

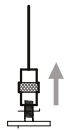


STEP 6

Install the volumes by removing the aircraft cable from the plunger and then sliding the volume onto the tube, finish by re-inserting the aircraft cable to properly support the fixture. Be sure to properly support the fixture during the step especially when the aircraft cables are disconnected



Locknut



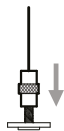
1. Loosen locknut from the cable gripper



2. Move the cable in or out to the desired height



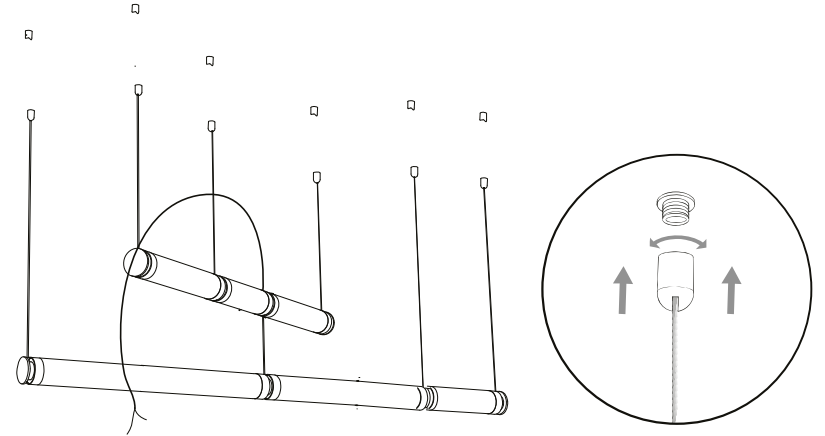
3. Secure the locknut back in place



Note:
If the cable feels blocked, cut excess as needed.
If the wire is frayed, cut with sharp cutters.

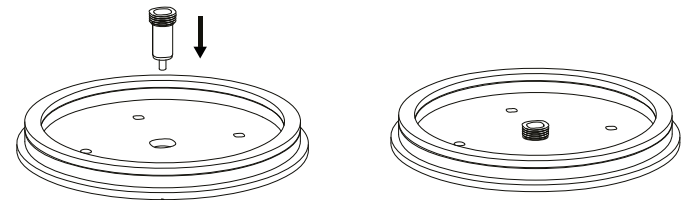
STEP 2

Begin hanging the fixture by screwing the female monopoints of each tube section onto the corresponding male monopoints on the ceiling. Be sure to adequately support all elements during installation.



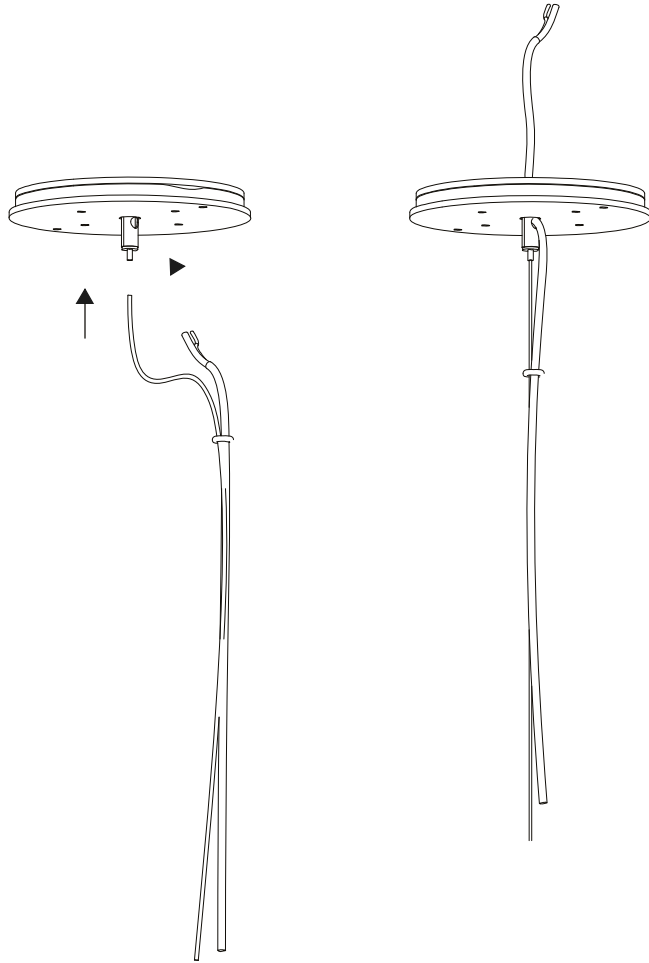
STEP 3

Insert wireway in the canopy, as shown.



**STEP
4**

Insert the aircraft cable in the griplock and the coaxial cable through the wireway



**STEP
5**

Using wire terminals, connect the LED driver to the Luna Fixture (Maximum distance 100', use 12-18AWG (1.0-2.5mm)). The outer metallic casing of the coaxial cable is Negative (-) and the black wire is Positive (+). Finally install the universal T-bar and then secure the canopy to the T-bar using the screws provided. The drop height should already be set to the correct height with a grip lock.

