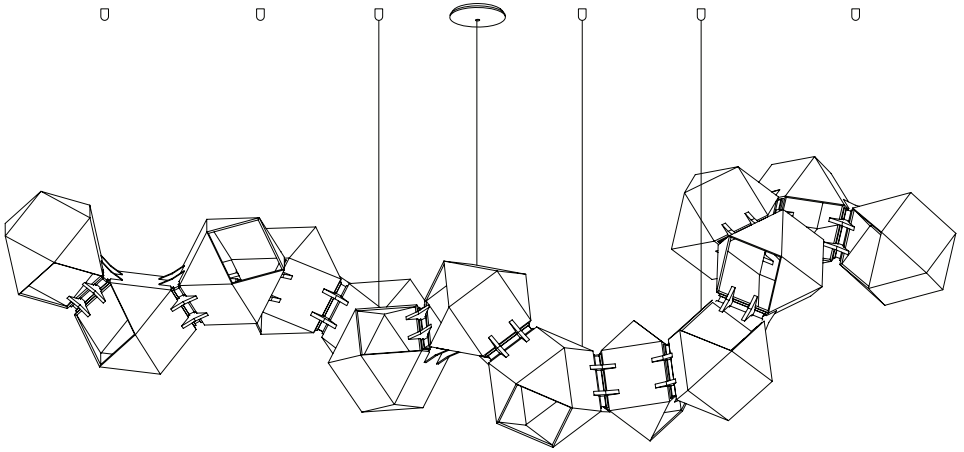




FILE#: E488971

FILE#: E503097



WELLES GLASS

Chandelier Installation Guide

- Suspended mount only.
- Certified electrician recommended for electrical installation.
- Minimum 2 people recommended for installation.
- Terminal Block not included. Installation may require advice from a qualified person.
- Junction box rated for minimum of 50lbs or structural blocking required to support fixture.
- Structural blocking required at monopoint locations, adequate drywall plugs may be substituted.
- For all LED fixtures, use only with class 2 power unit.
- The light source contained in this luminaire shall only be replaced by the manufacturer or his service agent or a similar qualified person. Contact manufacturer for service.
- For controllable luminaires, the classification of insulation that has been maintained between LV supply and control conductors shall be provided.... basic insulation, reinforced insulation etc.

*** IMPORTANT: Please provide email confirmation that your order and its related components have been received in their entirety and in good condition. Failure to do so within 7 days of delivery will waive all product warranties.**

GABRIEL SCOTT

CST 2012



Provided supplies

- Welles Glass volumes, connected in pairs
- Hanging plan
- Male monopoints
- Provided bulbs (incandescent fixtures only)
- Universal T-bar
- Installation screws

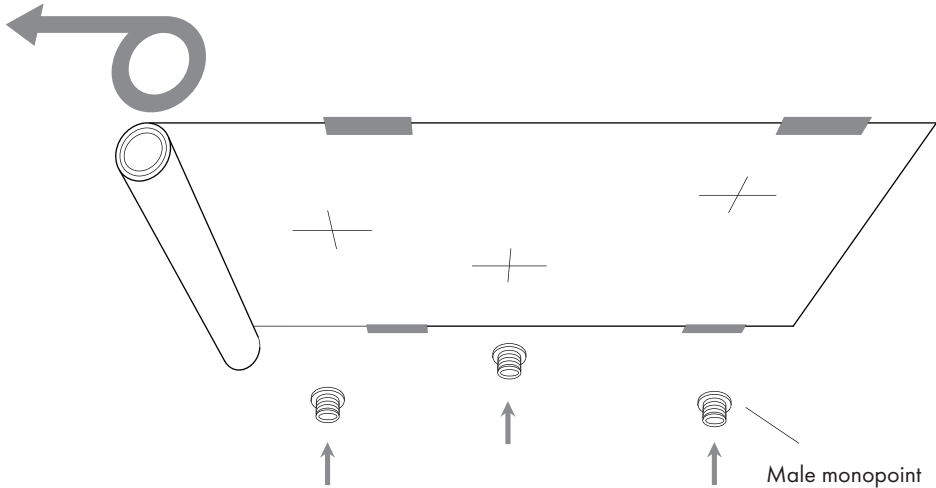
Required tools and hardware

- Screwdriver
- Drywall anchors suitable for 25lbs for mono points
- 4x 2-pole wiring terminals, screws or screwless, 12-18AWG (1.0-2.5mm²) rated for 600V, 15A / ex: WAGO 222-412
- LED driver; input: local line voltage, output: 12Vdc SELV, 5A, Max 60 watt, Class 2 LED driver

STEP 1

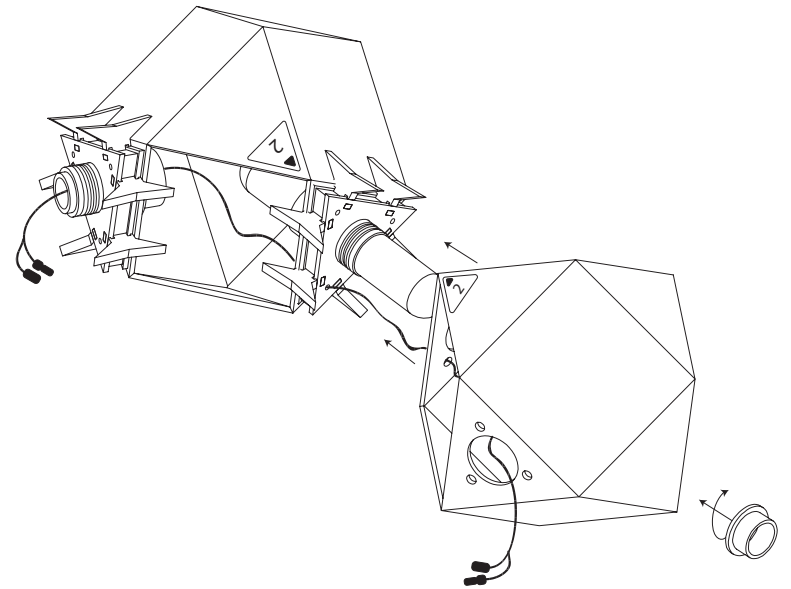
Tape provided 1:1 printed template to ceiling at desired location and install all male monopoints at the cross indicated on the template.

Note: Each anchor point should be capable of supporting 25lbs and therefore adequate blocking or toggle bolts are required for proper support at the location of each male monopoint.



STEP 2

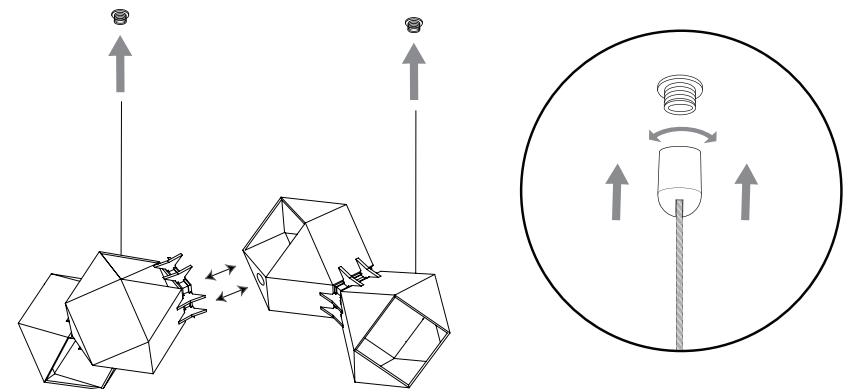
Assemble the Welles Glass volumes to form pairs by matching alignment stickers. Thread the retaining ring over the bulb assembly to secure the glass and remove alignment stickers only once the assembly is complete.



STEP 3

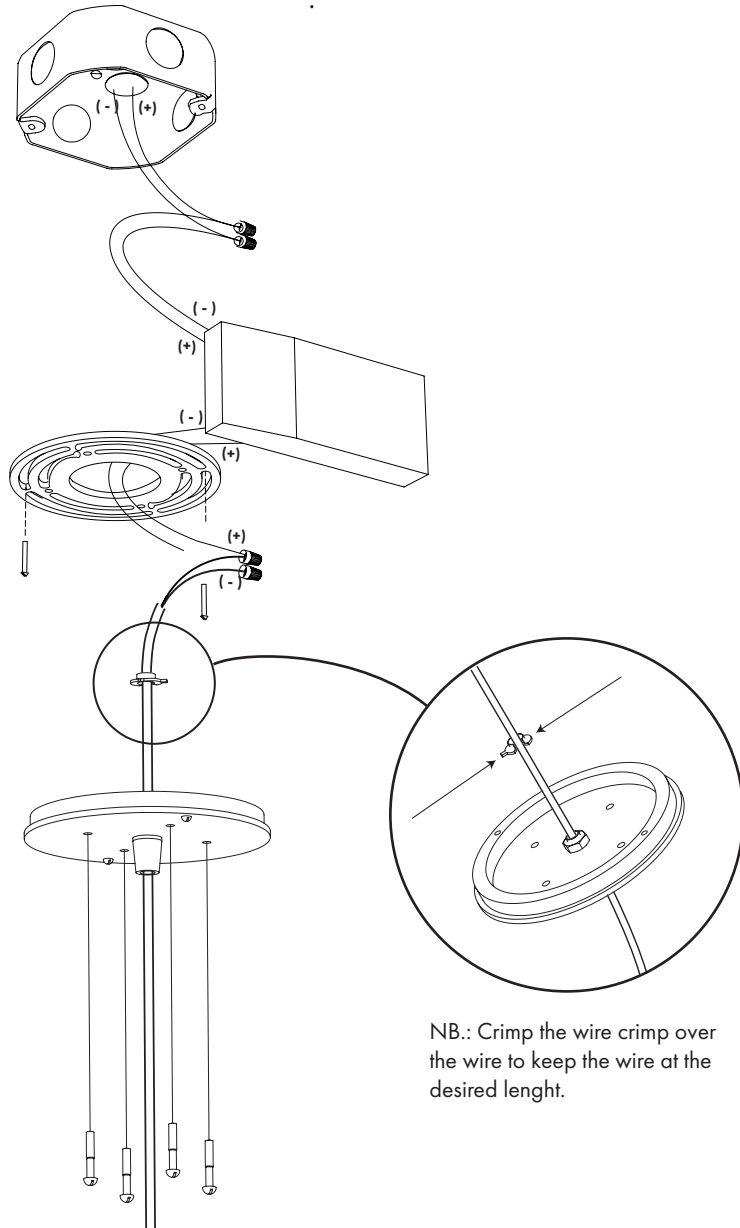
Hang two pairs from the ceiling by screwing the female monopoints over the male monopoints. Once hanging from the ceiling, connect each of the red «quick-disconnect» connectors to their matching counterpart on the adjacent volume. Align number labels and thread the retaining ring on the dead connection cap to connect the two pairs. This will form a set of 4.

Repeat steps 2 and 3 until the fixture is fully assembled.



**STEP
4**

Using wire terminals, connect the LED driver to the fixture (Maximum distance 100', use 12-18AWG (1.0-2.5mm)). The white wire is Negative (-) and the black wire is Positive (+). Finally install the universal T-bar and then secure the canopy to the T-bar using the screws provided. The drop height should already be set to the correct height with a grip lock.

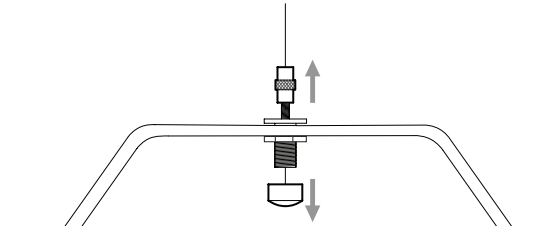


**OPT.
STEP**

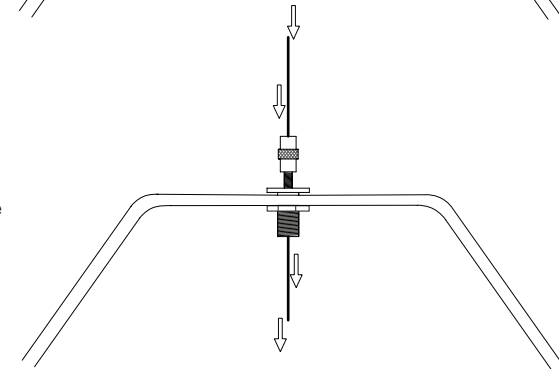
Aircraft cable adjustment instructions:
In order to adjust each of the support cables, start at one end of the fixture and proceed with the following steps:

IMPORTANT: Fixture is to be properly supported until final step is complete.

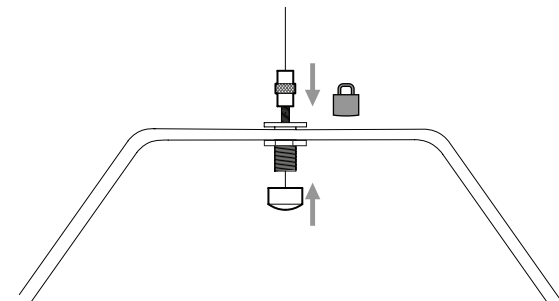
Loosen locknut from cable gripper and remove cap from interior of cube.



Start feeding cable to raise fixture to desired height.



Very tightly secure locknut back in place and cut excess cable before reattaching bottom cap.





e: info@gabrielscott.com
t: (646) 783-3770