



GABRIEL SCOTT

EST. 2012



## MARX

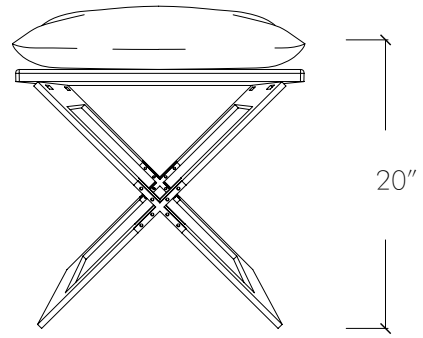
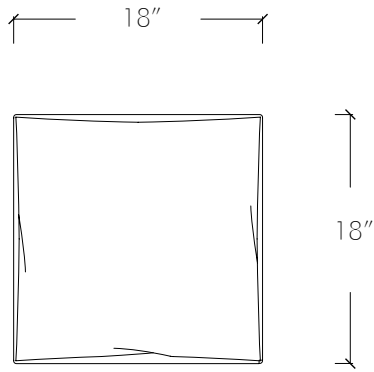
### Stool

in Blackened Steel &  
Charcoal Gray Herringbone

Blending components of the brand's signature collections, the Marx stool brings together a geometric metal x-base with a lightweight upholstered cushion top. A versatile piece, the Marx stool can be used in endless functions and contexts to add a touch of contemporary design to any style and space.

The base is available in black steel with distinct brass hardware, and in full brass or full copper options; cushion available in standard heather-gray or charcoal gray herringbone fabric. COM & COL options available.

All Gabriel Scott pieces are handmade in Canada.



## SPECIFICATIONS

### Standard Finishes:

Metal: Blackened Steel, Satin Nickel,  
Satin Brass or Satin Copper

Fabric Upholstery: Heather Gray  
or Charcoal Gray Herringbone

### Specifications:

Dimensions: 18" x 18" x 20" H

46 cm x 46 cm x 51 cm H

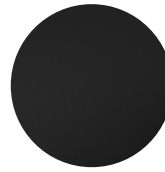
Weight: 35 lbs / 16 kg

Custom finishes available upon inquiry.

Made and assembled in Canada.

## STANDARD FINISHES

### Metal:



Blackened Steel -  
Base/Hardware



Satin Nickel -  
Base/Hardware



Satin Brass -  
Base/Hardware



Satin Copper -  
Base/Hardware

### Fabric Upholstery:



Heather Gray -  
Herringbone



Charcoal Gray -  
Herringbone