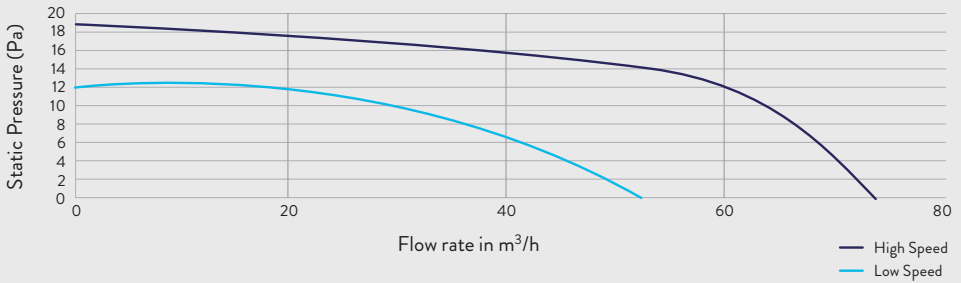


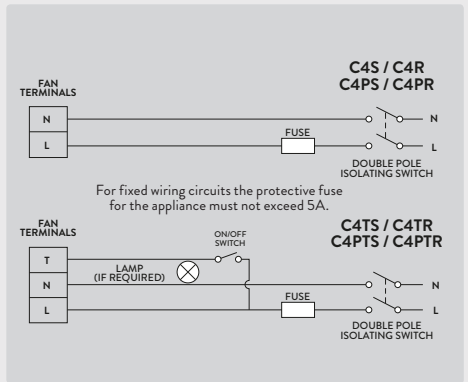


Product Selector	Contour C4
Speeds	2
Extract Performance (l/s)	15/21
Extract Performance (m <sup>3</sup> /h)	54/76
Electrical Power Rating (W)	6.3/7
Specific Fan Power (W/l/s)	0.42/0.33
Sound Pressure Level (dBA@3m)	15/29
IP Rating	IPX4
Motor Type	AC



Low Speed	
Static Pressure (Pa)	Flow rate in m <sup>3</sup> /h
0	51.79
1.5	49.25
2.2	47.47
3.7	44.84
5.4	41.87
7.4	37.93
8.6	33.95
9.8	29.43
11.6	24.06
12.6	17.07
11.8	0.00

High Speed	
Static Pressure (Pa)	Flow rate in m <sup>3</sup> /h
0	73.57
2.8	71.30
5.8	67.70
9.2	63.34
12.3	58.65
14.3	53.56
15.4	47.93
15.6	41.53
15.8	33.95
17.0	24.06
18.8	0.00



**ANCILLARIES**  
We recommend the Simply Silent 100mm Easy Fit Wall Kit to allow fuss-free fitting from the inside.



Fold the outer grille.



Push through the wall tube.



Open up the outer grille.



Pull back on the string to secure to the outside wall.