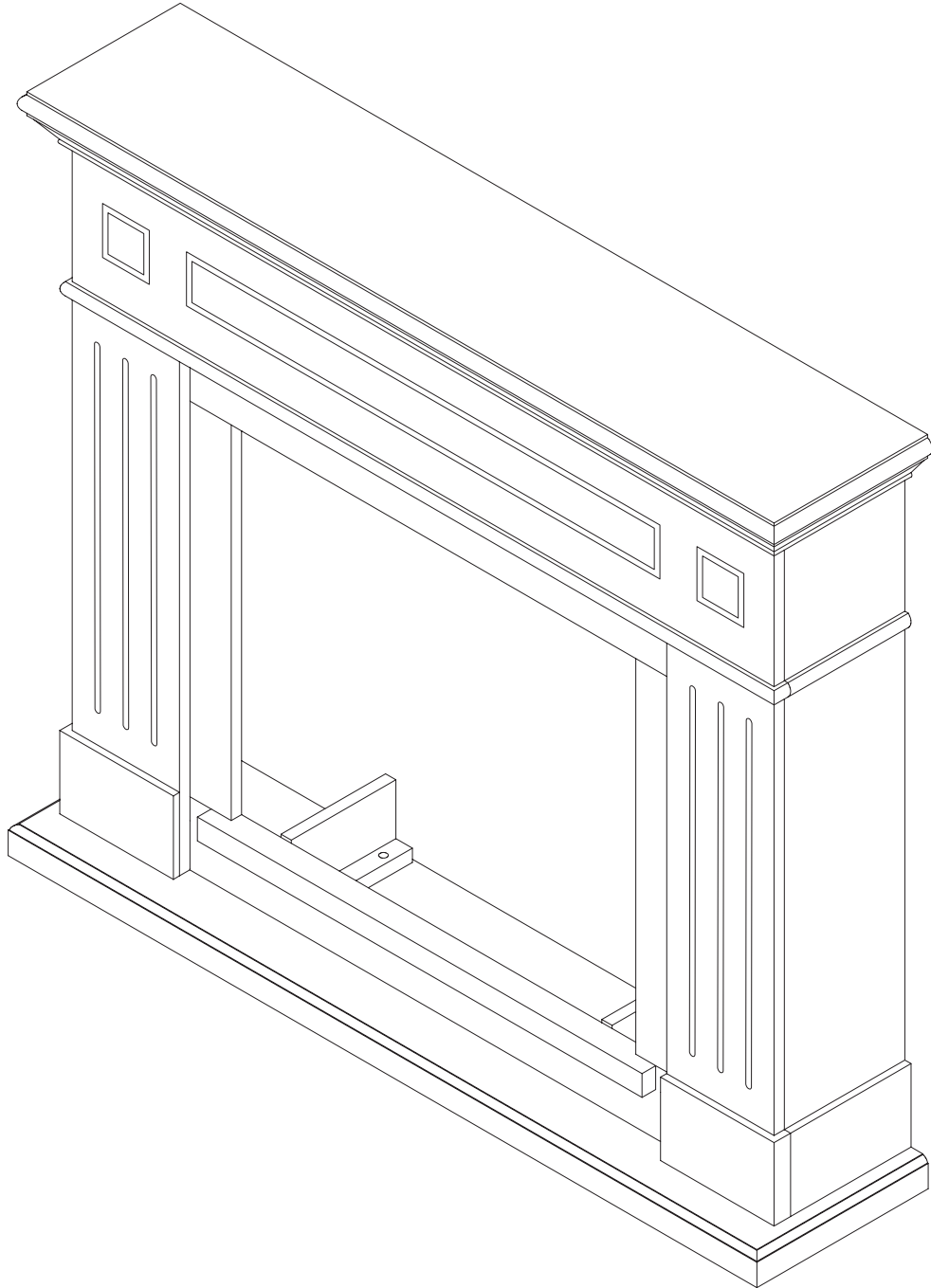
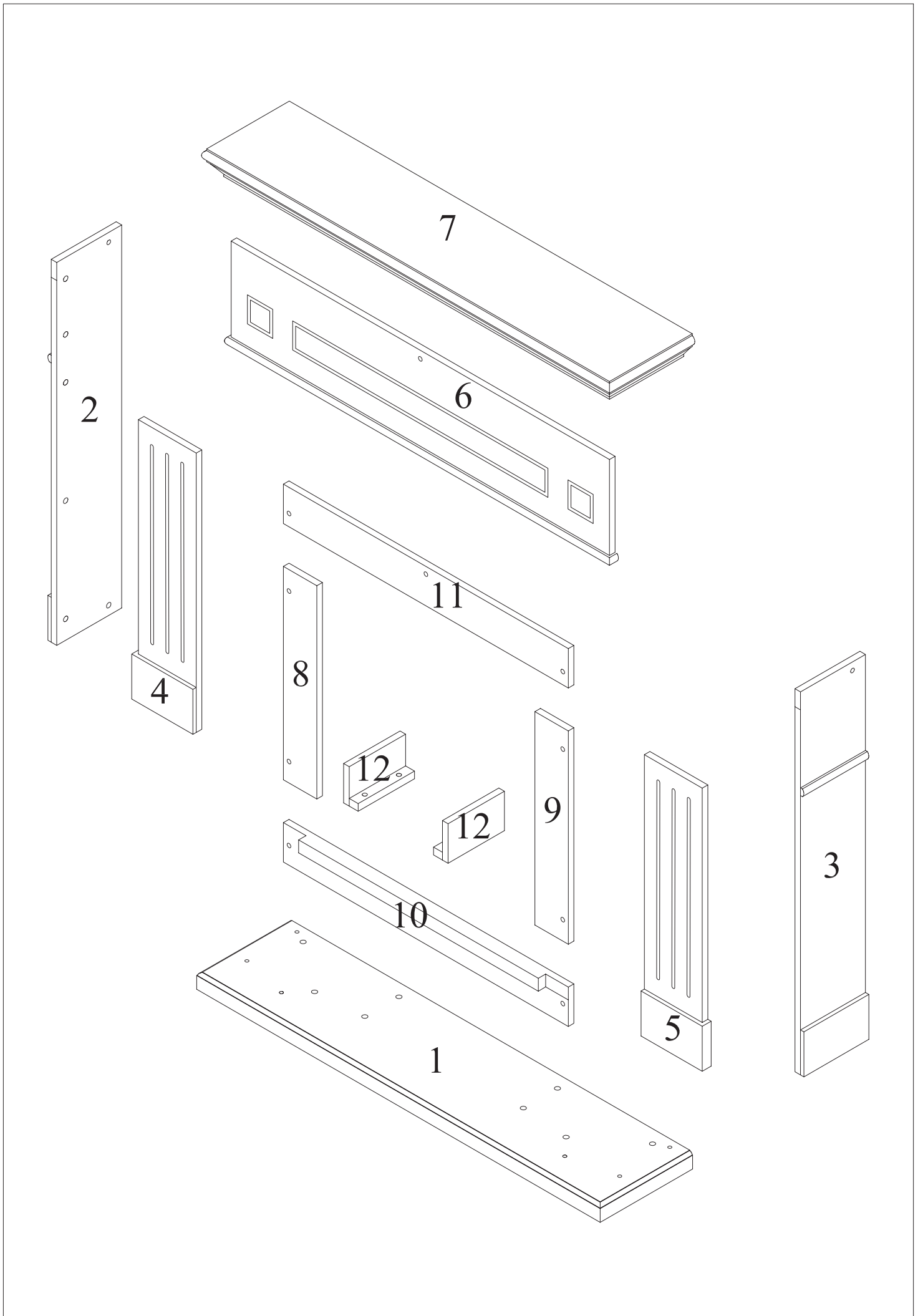
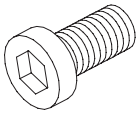
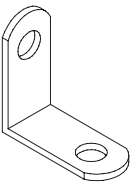
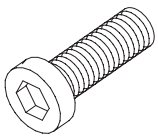
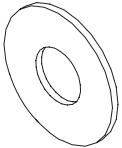
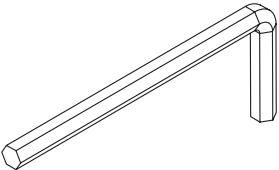
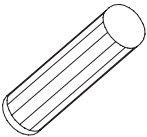


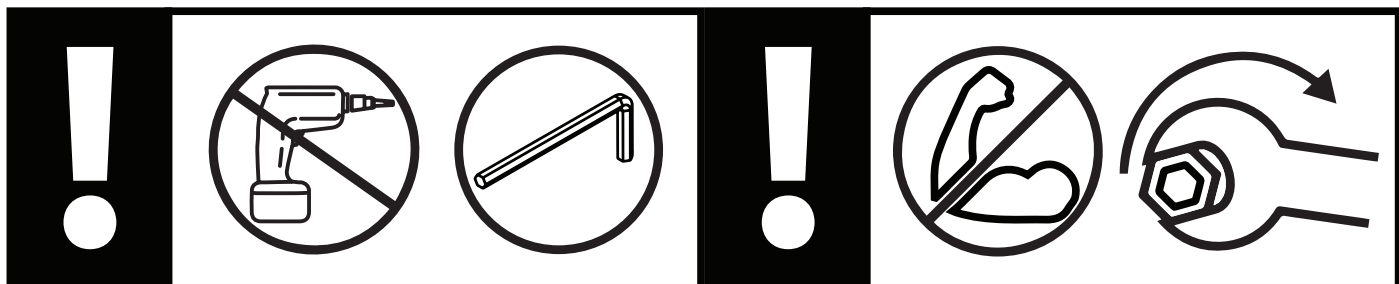
# LARSEN

FM462

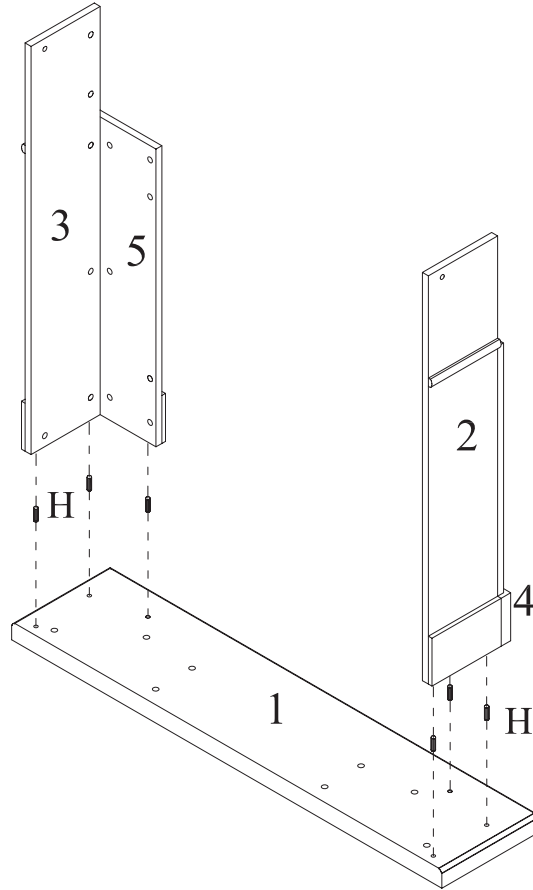




<p><b>A</b></p>  <p>Ø6 x 12mm x28</p>	<p><b>B</b></p>  <p>x 14</p>	<p><b>C</b></p>  <p>Ø6 x 28mm x 16</p>
<p><b>D</b></p>  <p>x 16</p>	<p><b>E</b></p>  <p>x 1</p>	<p><b>H</b></p>  <p>Ø8 x 30mm x 6</p>

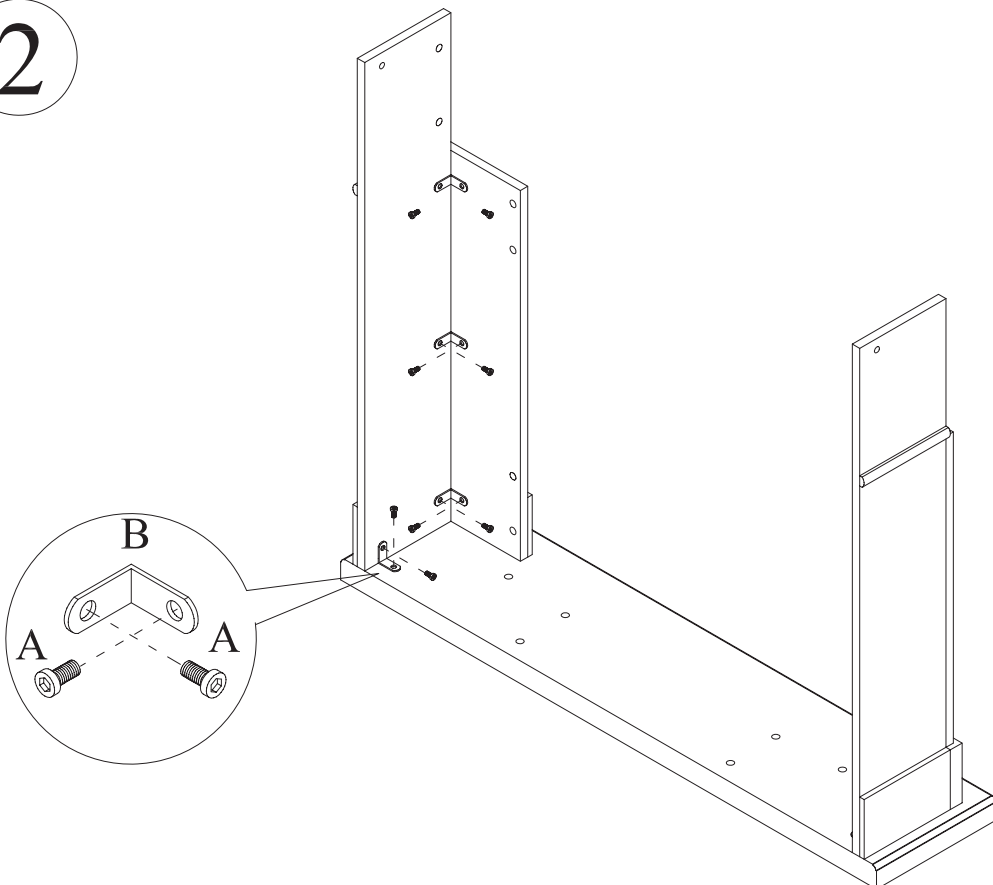


1



H  
Ø8 x 30mm  
x 6

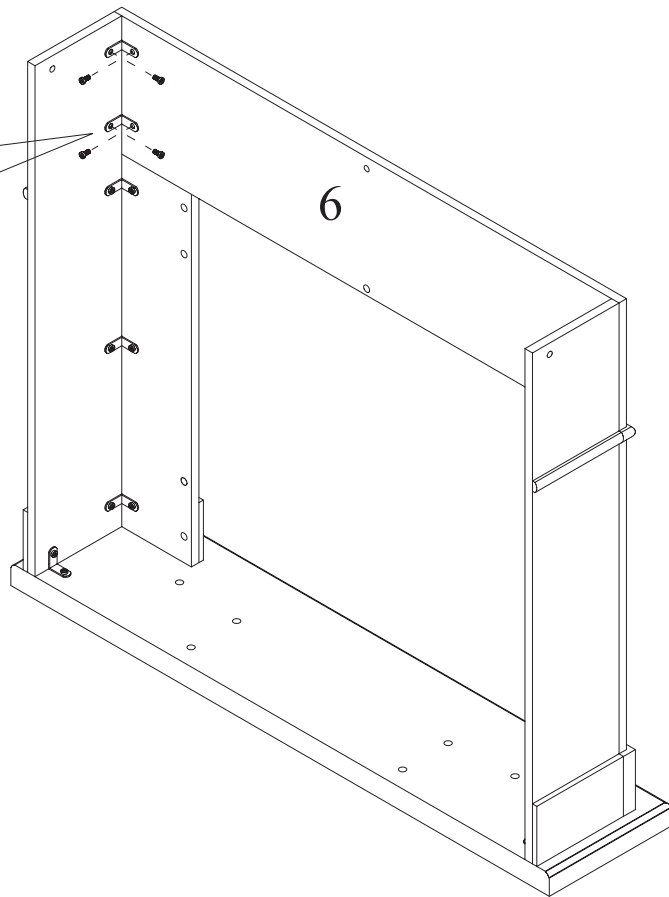
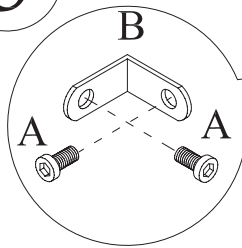
2



A  
Ø6 x 12mm  
x16

B  
x 8

3



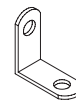
A



Ø6 x 12mm

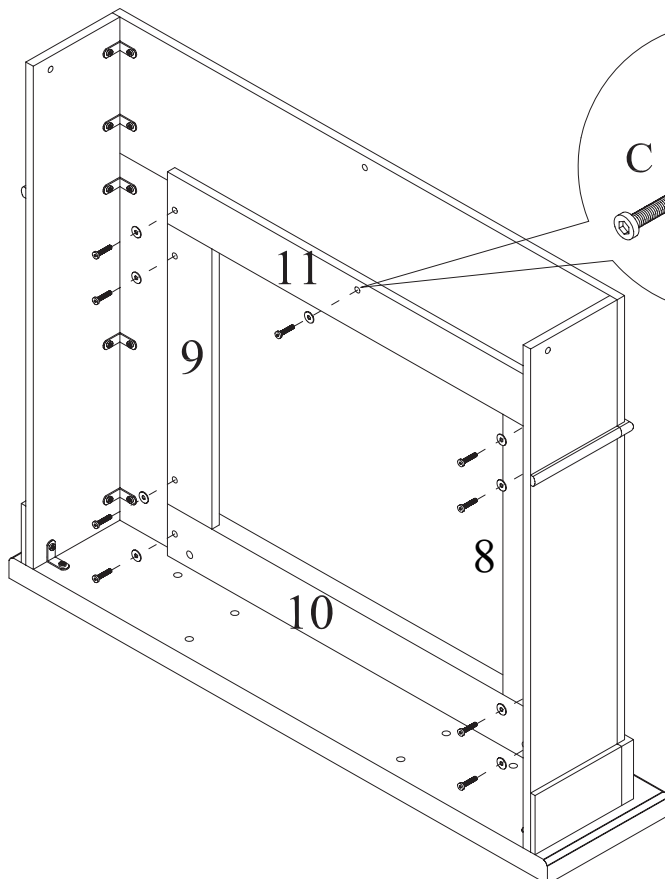
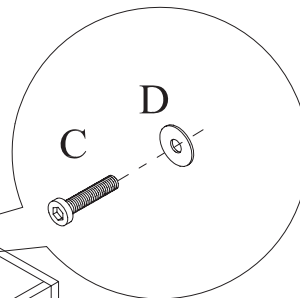
x8

B



x4

4



C



Ø6 x 28mm

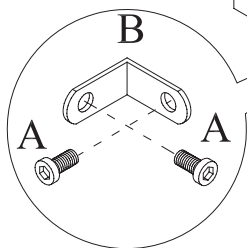
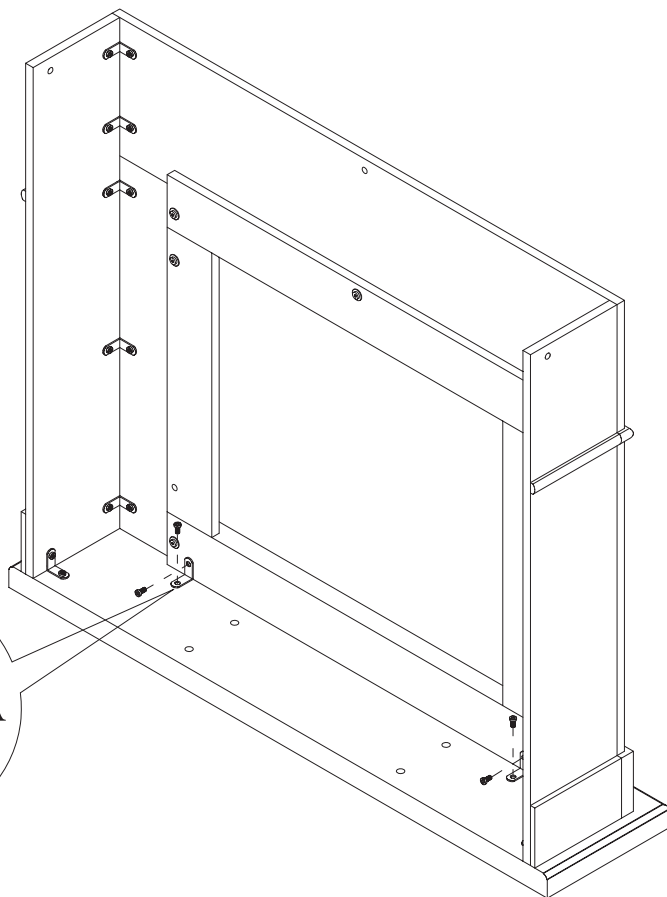
x9

D

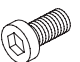


x9

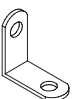
5



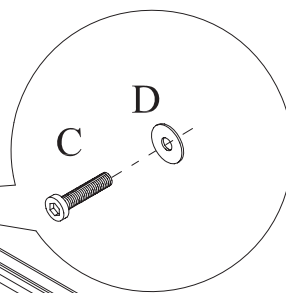
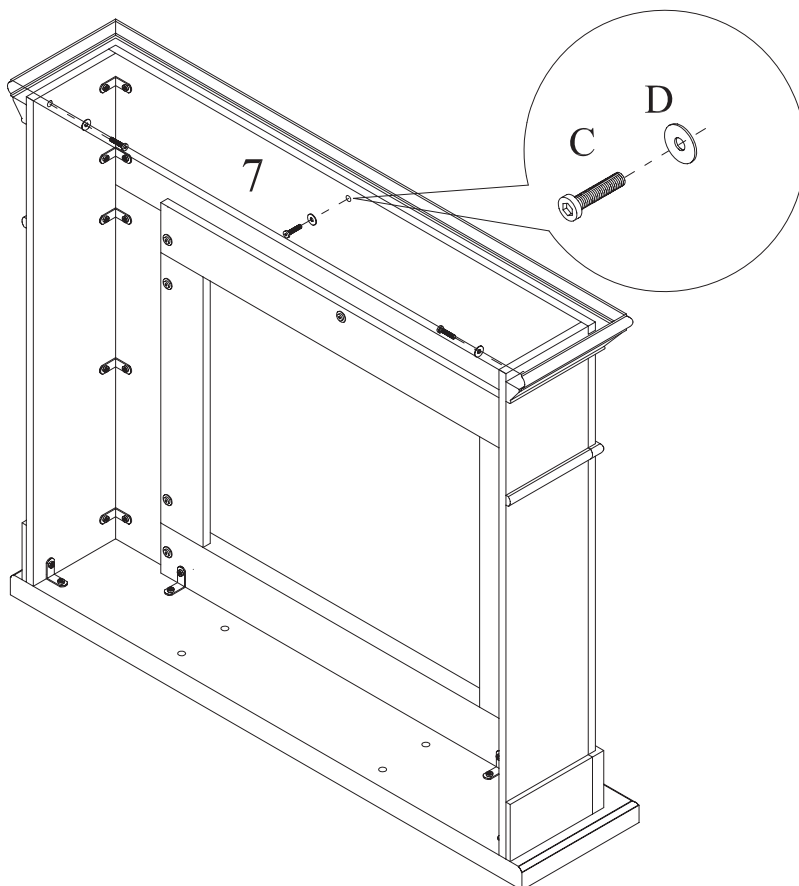
A

  
Ø6 x 12mm  
x4


B

  
x2


6



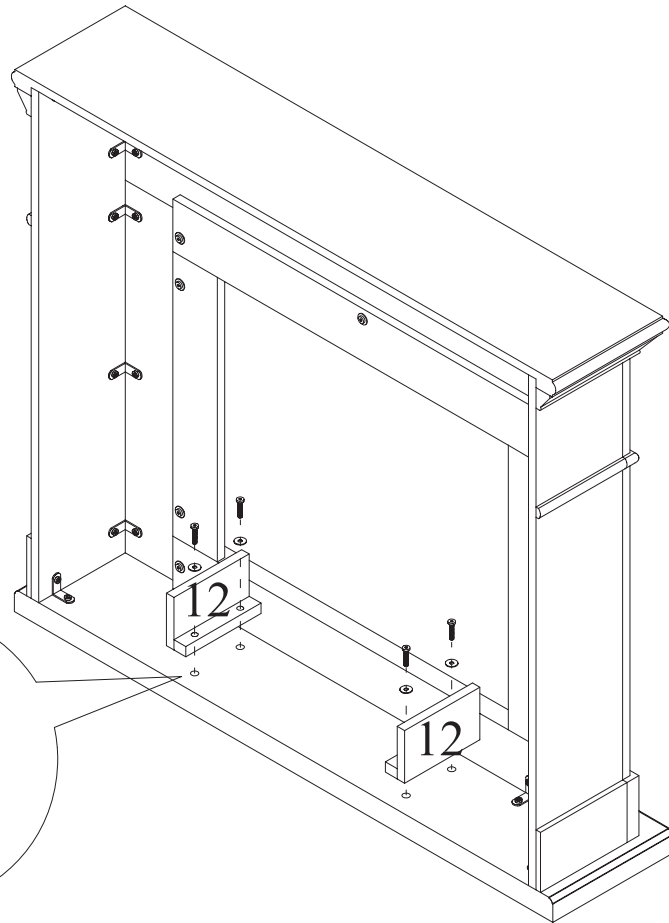
C

  
Ø6 x 28mm  
x3

D

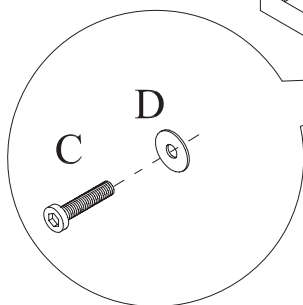
  
x3

7

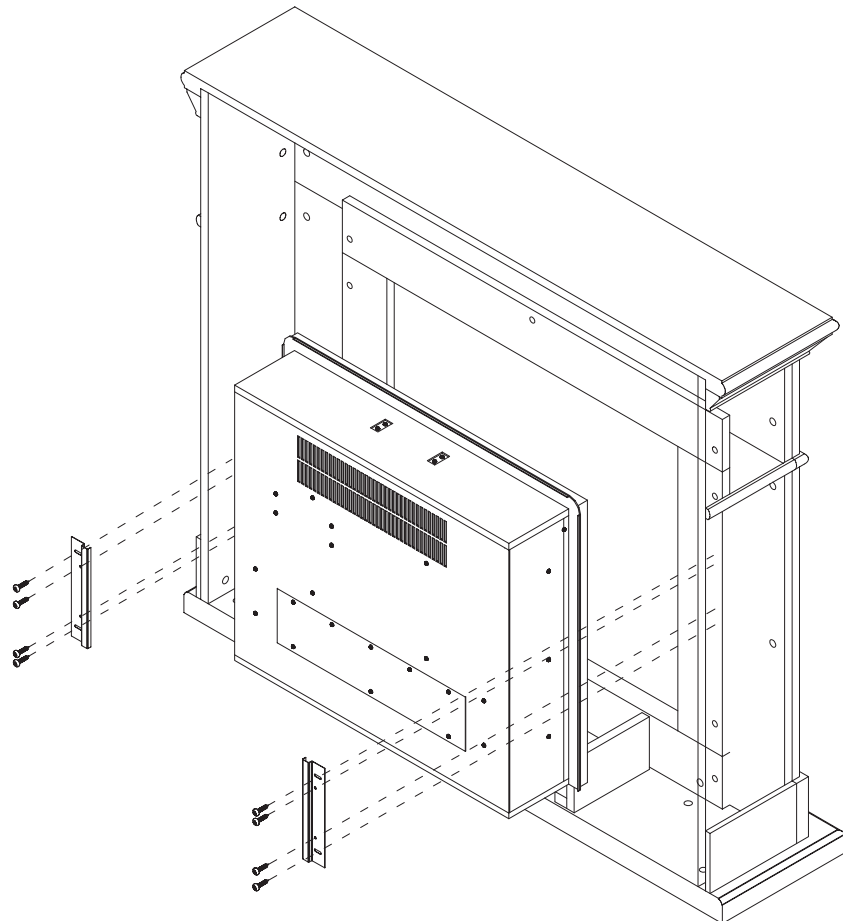


C  
Ø6 x 28mm  
x 4

D  
x 4



8



TAGU  
the missing piece