



OIL FILLED RADIATOR

Operating Instructions



Models:
30461 (1.5kw/7 fin)

Please read these instructions
and retain for future reference.



CONTENTS

Read all instructions before using this appliance and keep them for future reference.

PG.2 ASSEMBLY: Attaching the U-Shaped Bracket & Castors

PG.3 HOW TO USE

PG.4 TROUBLESHOOTING

PG.5 CLEANING & STORAGE

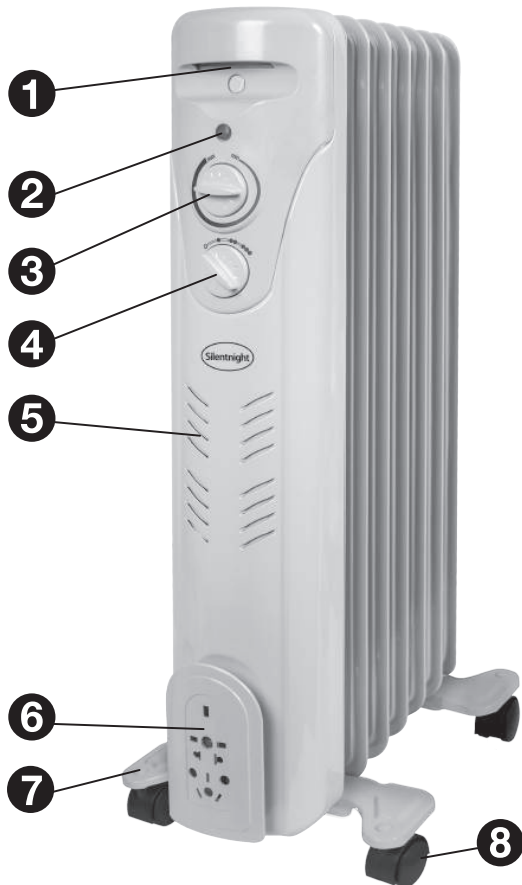
PG.6 GENERAL CARE & SAFETY GUIDE

PG.8 AFTER SALES SERVICE



WARNING: IN ORDER TO AVOID OVERHEATING, DO NOT COVER THE HEATER.

1. Carry Handle
2. Power Indicator
3. Thermostat Dial
4. Power Selector
5. Air Outlet
6. Cord Plate
7. U-Shaped Foot Bracket
8. Castors



ABOUT YOUR HEATER

Read all instructions before using this appliance and keep them for future reference.



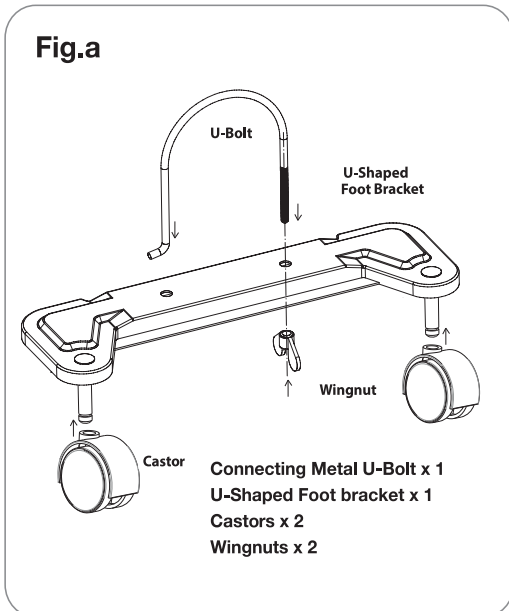
WARNING: IN ORDER TO AVOID OVERHEATING, DO NOT COVER THE HEATER.

Attaching the U-shaped Bracket and Castors

1. Attach castors onto the U-shape Foot Brackets.
2. Turn the heater upside down for easy assembly of foot brackets.
3. Place U-bolt between front two fins at the each end of the heater and attach to U-shape Foot Bracket (with the 'U' facing away from the heater, see cover photo) and secure each one with the wingnut (Fig.a).
4. After having attached all castors and both foot brackets, **DO NOT FORGET TO RETURN THE HEATER TO ITS UPRIGHT POSITION FOR OPERATION.**

DO NOT operate the heater without the castor assemblies attached to the bottom of the unit. Otherwise it may result in a fire hazard.

IMPORTANT: The radiator must only be operated in the correct upright position with the castors assembled on the bottom and carry handle located on the top.



WARNING: Operating the radiator upside down may cause fire. This heater is equipped with a tip over switch, if for any reason, the heater is operated while it is tipped over, power will be cut off automatically. No measures should be required to repair it. Once placed in the correct upright position, it will begin to work normally.

If you are in doubt, please consult a qualified electrician before use.

HOW TO USE

Read all instructions before using this appliance and keep them for future reference.

1. Before using the heater make sure that it is on a flat and stable surface. Damage may occur if it is placed on an incline or decline.
2. Then insert the plug into a socket-outlet.
3. Rotate the thermostat dial (Fig.c) clockwise to “MAX” position and select the power setting on the power dial (Fig.d).
4. When your room reaches the desired temperature, slowly rotate the thermostat dial counter-clockwise until the power indicator light goes out. The thermostat can now be left at this setting. As soon as the room temperature has dropped below the set temperature, the unit will switch on automatically, until the set temperature has been reached again. In this way the room temperature remains constant with the highest energy efficiency.
5. If you want to change the room temperature setting, rotate the thermostat dial clockwise to raise the temperature, or counter-clockwise to lower it.
6. This heater includes an overheat protection system that shuts off the heater when parts of the heater are getting excessively hot.
7. To completely shut the heater off, turn thermostat to “Min” and setting button to “off”, and unplug the heater from the socket-outlet.

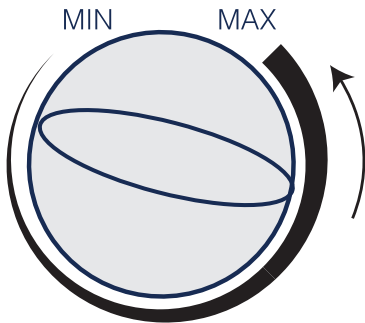


Fig.c
Thermostat dial

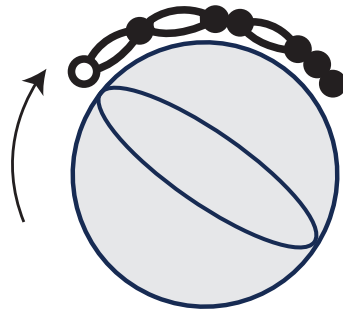


Fig.d
Power dial

POSITION I: 600 watts
POSITION II: 900 watts
POSITION III: 1500 watts
POSITION 0: Power off

TROUBLESHOOTING

Read all instructions before using this appliance and keep them for future reference.

If your heater fails to operate, please follow these procedures before contacting Customer service:

THE HEATER WILL NOT POWER ON.

The thermal cut-off has been activated.

Unplug and turn the heater off; allow it to cool for 30 minutes. Once the heater has cooled off, check to make sure that there are no objects on or adjacent to the unit. To resume operation, plug the unit back in.

Breaker/Fuse has been tripped.

Ensure unit is in OFF position. Plug in unit and attempt to turn on again.

Heater is not plugged into a 240V polarized outlet/receptacle.

Check your fuse box to confirm the breaker has not been blown. This may occur if the receptacle is shared between other high consumption appliances.

POWER LIGHT IS ON, BUT NO HEAT IS EMITTING FROM THE UNIT.

Room temperature has warmed up to thermostat setting.

To increase the room temperature, adjust thermostat control dial to a higher setting by turning clockwise.

The heating elements inside the unit have not warmed up yet.

Allow 15 minutes after the unit has been turned on for the oil fins to heat.

THE HEATER IS CREATING A BURNING SMELL.

Check & ensure there are no combustible materials 3' (0.9m) surrounding the heater.

Remove the combustible units adjacent to the heater.

The heater feet have not been properly installed on the unit.

Follow assembly instructions on how to attach front and hind legs to the unit.

THE HEATER IS MAKING SMALL CRACKLING SOUNDS.

It is normal for the heater to emit small crackling sounds as it heats the oil inside the fins.

Allow heater to operate for a period of time. After the heater has warmed up, the crackling sounds should stop. Do not be alarmed. It will go away after approximately 15 minutes.

CLEANING & STORAGE

Read all instructions before using this appliance and keep them for future reference.

If your heater fails to operate, please follow these procedures before contacting Customer service:

The heater requires regular cleaning to ensure trouble free operation:

1. Do not stand or drop the heater and treat it carefully at all times.
2. Always turn off and unplug the heater from the mains supply before cleaning.
3. Use a damp cloth to wipe the exterior of the heater to remove dust and dirt.
4. Ensure the heater is dry before plugging back into the mains supply.
5. Do not allow water to run into the interior of the heater as this could create a fire or electric shock hazard.

Storage:

If the heater is not required for long periods, for example during the summer, it should be stored in a dry place and preferably covered to prevent the accumulation of dust and dirt. Unplug the heater and store the mains lead in the storage recess provided. Ensure that the plug does not trail on the floor where it could be damaged.

GENERAL CARE AND SAFETY GUIDE

Read all instructions before using this appliance and keep them for future reference.



WARNING: IN ORDER TO AVOID OVERHEATING, DO NOT COVER THE HEATER.

- When using electrical appliances, basic precautions should always be followed to reduce the risk of fire, electric shock, and injury to persons, including the following:
- Before using, ensure that mains cord is fully extended and is not touching the surface of the heater.
- Before connecting the heater, check that the voltage indicated on the rating plate corresponds.
- Avoid the use of an extension cord because it may lead to overheating.
- The radiator should be placed on flat ground. You must not place it on an uneven or angled surface.
- **DO NOT** use the radiator in a room containing combustible or explosive gas.
- **DO NOT** use aerosols, flammable substances or materials sensitive to heat in the flow of hot air.
- **DO NOT** use this heater in the immediate area surrounding a bath, shower or swimming pool.
- The heater must not be placed immediately below a socket outlet.
- To ensure your safety do not put anything in between the fins of the radiator.
- When in use, there should be safety buffer around the heater of at least 8 inches. There must also be a 3-foot clearance above the unit to allow for ventilation.
- **WARNING:** In order to avoid overheating, do not cover the heater.
- Prevent overheating of the heater by keeping the air inlet and outlet free of obstructions.
- Before cleaning the radiator, turn off power and remove plug from outlet.
- Only touch the heater with dry hands.
- Please always unplug the unit from the socket when not in use.
- While using the radiator keep doors and windows shut to maximize the unit's heating potential.

GENERAL CARE AND SAFETY GUIDE

- **DO NOT** use the radiator without having fitted the casters. The heater must only be operated while standing upright on the casters. Improper usage may cause electric shock and/or fire.
- **DO NOT** use this heater in conjunction with a programmer, timer or any other device that switches the heater on automatically, due to the fire risk that exists if the heater is covered or improperly positioned.
- Use only ground level wall sockets. Do not plug into a wall socket that is higher than the heater unit.
- This heater is filled with a precise quantity of special oil. Repairs requiring the opening of the oil container are only to be made by the manufacturer or its service agent who should be contacted if there is an oil leak.
- When disposing of the heater, follow the regulation concerning the disposal of oil.
- If the supply cord is damaged, it must be replaced by manufacturer, its service agent or similarly qualified persons in order to avoid a hazard.
- **DO NOT** position where it can be touched by children, especially the very young. Extra caution is necessary when the heater is used near children or when it is left unattended.
- The appliance can be used by children aged from 8 years and above and persons with reduced physical, sensory or mental capabilities or lack of experience and knowledge if they have been given supervision or instruction concerning use of the appliance in a safe way and understand the hazards involved.
- Children shall not play with the appliance. Cleaning and user maintenance shall not be made by children without supervision.
- Children of less than 3 years should be kept away unless continuously supervised.
- Children aged from 3 years and less than 8 years shall only switch on/off the appliance provided that it has been placed or installed in its intended normal operating position and they have been given supervision or instruction concerning use of the appliance in a safe way and understand the hazards involved. Children aged from 3 years and less than 8 years shall not plug in, regulate and clean the appliance or perform user maintenance.

GENERAL CARE AND SAFETY GUIDE

- **CAUTION** - Some parts of this product can become very hot and cause burns. Particular attention has to be given where children and vulnerable people are present.
- Always operate on a flat horizontal surface.
- **DO NOT** operate with cord set coiled up as a build-up of heat is likely, which could be sufficient to become a hazard.
- The use of an extension cord with this appliance is not recommended.
- **DO NOT** remove plug from power socket until the appliance has been switched off.
- **DO NOT** remove plug from power socket by pulling flex - always grip plug.
- Always unplug appliance when not in use.
- **DO NOT** allow cord to come in contact with heated surfaces during operation.
- **DO NOT** run cord under carpeting, throw rugs or runners etc.
- This heater is not suitable for use in green houses or building sites.

AFTER SALES SERVICE

Your product is guaranteed for three years from the date of purchase. Within this period, we undertake to repair or exchange this product free of charge provided it has been installed and operated in accordance to these instructions.

Your rights under this guarantee are additional to your statutory rights, which in turn are not affected by this guarantee.

Should you require after sales service you should contact our **Customer Services help desk on 0151-448 6974**. It would assist us if you can quote the model number, series, date of purchase, and nature of the fault at the time of your call. The customer services help desk will also be able to advise you should you need to purchase any spares.

Please do not return a faulty product to us in the first instance as this may result in loss or damage and delay in providing you with a satisfactory service.

Please retain your receipt as proof of purchase.

Information on Waste Disposal for Consumers of Electrical & Electronic Equipment

This mark on a product and/or accompanying documents indicates that when it is to be disposed of, it must be treated as Waste Electrical & Electronic Equipment (WEEE).

Any WEEE marked waste products must not be mixed with general household waste, but kept separate for the treatment, recovery and recycling of the materials used.

For proper treatment, recovery and recycling; please take all WEEE marked waste to your Local Authority Civic waste site, where it will be accepted free of charge.

If all consumers dispose of Waste Electrical & Electronic Equipment correctly, they will be helping to save valuable resources and preventing any potential negative effects upon human health and the environment, of any hazardous materials that the waste may contain.



©Silentnight Group Limited 2014
All rights reserved
Licensed by JELC

Exclusively manufactured for and distributed
by BML LIVERPOOL L24 9WD UK ©2014
All Rights Reserved.

Product may vary slightly from the image shown.
Specifications will however remain the same.