

JB004

Ø8-Ø14



3 poles

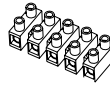


30

8



Ø5-Ø8

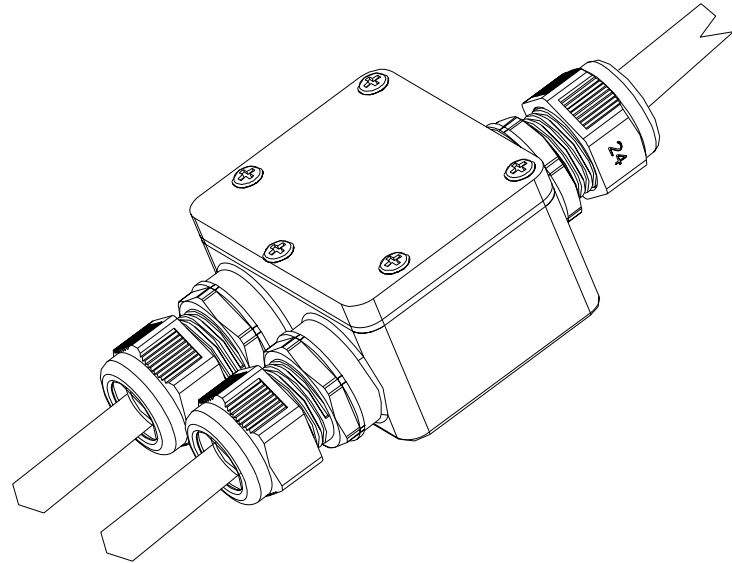
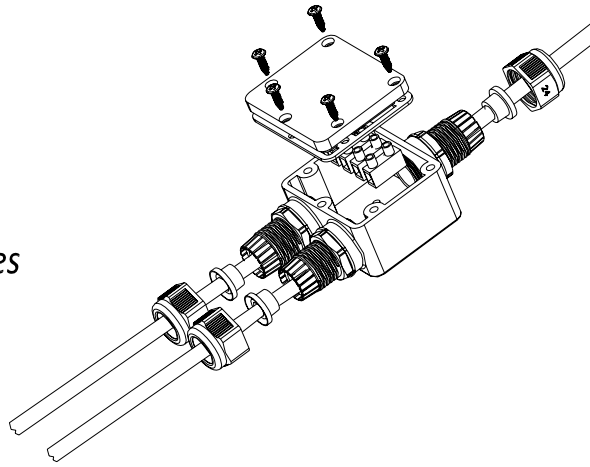


5 poles



30

8



INSTALLATION & MAINTENANCE MANUAL
JB002 JB003 & JB004



IP
68



ML Accessories Limited
LU5 5TA
www.mlaccessories.co.uk

10-14 - PS V1 SC-88



GENERAL INSTRUCTIONS:

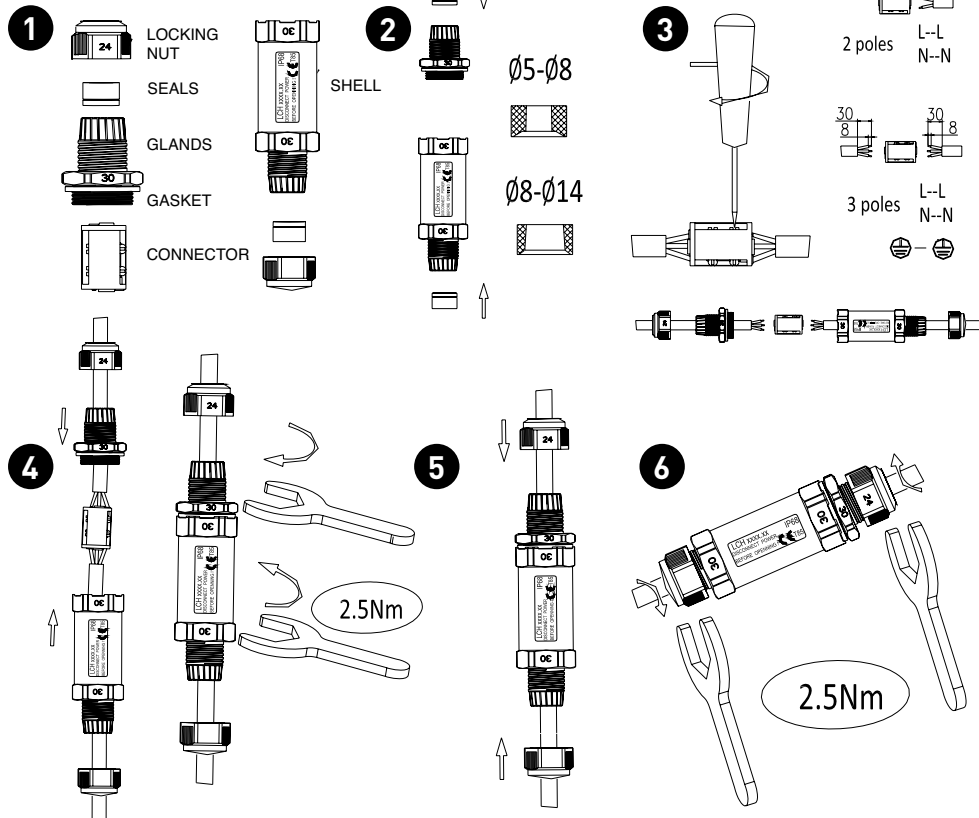
These instructions should be read carefully and retained after installation for further reference and maintenance.

SAFETY

- Before installation/maintenance ensure that the supply to the cable to be joined is switched off and the circuit fuses are removed or switched off
- Installation of these products must be carried out by a competent person or by a qualified electrician to the current IEE Wiring and Building Regulations
- Please recycle this unit
- 230V 50Hz
- JB002 and JB003 - IP68 (5mtrs max) JB004 – IP66
- 3 - Pole screw-fix terminals
- H07RN-F cable – min 0.75mm² 3 core – max 4.00mm² 3 core
- EN50262

INSTALLATION

JB002



JB003

