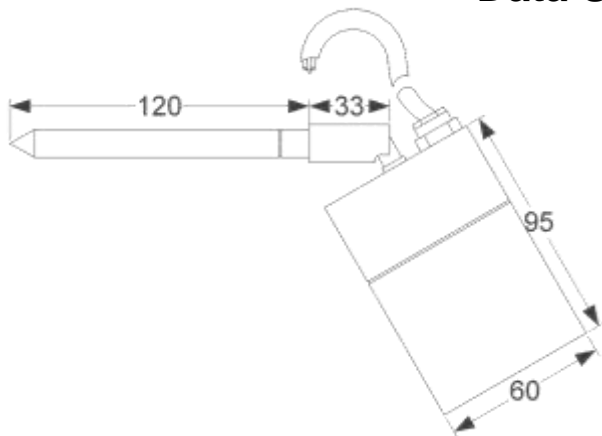


Data Specification Sheet



GU10SPIKEL 35W GU10 IP65 Stainless Steel Garden Spike Fitting

Code	GU10SPIKEL
Description	35W GU10 IP65 Stainless Steel Garden Spike Fitting
Finishes available	Stainless steel
Overall dimensions (mm)	See above EXT2 - Optional ground spike extension to 600mm (not supplied)
Product Weight	0.576Kg
Recommended product location	Indoor or Outdoor
Lamp Supplied	No
Voltage (V)	230V 50Hz
Maximum Lamp Wattage (W)	35Watts
Class	Class I. Must be Earthed
IP	IP65
Distance from lighted object	0.3M
Photometric Testing	Not available
Instruction sheet	Yes
Origin of manufacture	China
Main materials:	
• Body & Spike	Stainless Steel
• Glass	Tempered Glass, Temperature Rated To 300°C.
• Reflector	N/A
Method of fix	Ground Spike
Lampholder cap	GU10
Lamp type and base	GU10 35watt Max – GU10 LED compatible
Electrical Connections	Pre-wired
Cable rating (mm SQ /C.S.A.) & type	2mtrs (Approx) 0.75mm ² 3 core H05VV-F black flexible cable
CE mark	Yes
Quality Assurance System	Yes ISO 9001 QMS
Batch coding details on product	Yes
Certificate of Conformity (Held on File)	Yes
Manufactured in accordance to:	EN60598
Warranty	1 year