



BATTERY OPERATED HEAT DETECTOR

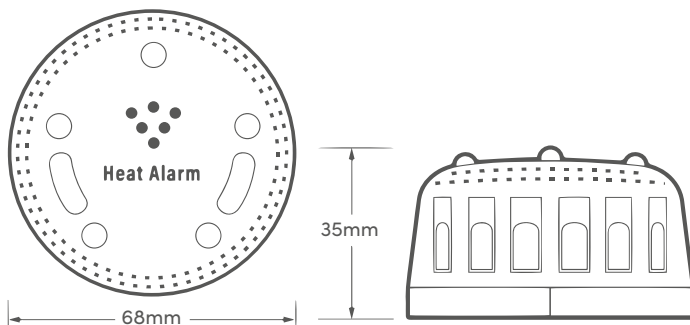


FEATURES

- Loud 85dB alarm
- Insect proof
- Test function and hush feature
- Low battery warning
- Malfunction alarm
- 2x AAA batteries included
- Easy Installation

TECHNICAL INFORMATION

Scheme Rating:	F2
Detection Type:	Heat Sensitive
Power Source:	2x AAA batteries
Alarm Sound Level:	85dB at 3 metres
Alarm Temp Range:	4°C ~ 38°C
Mounting Plate:	Yes
Approvals:	BS EN54-5



Product Code: HSA/BH