



**KingShield**

## INSTALLATION / OPERATING INSTRUCTIONS FOR 7 DAY ELECTRONIC IMMERSION HEATER TIMER - T106-C

Please read the instructions fully before attempting installation.

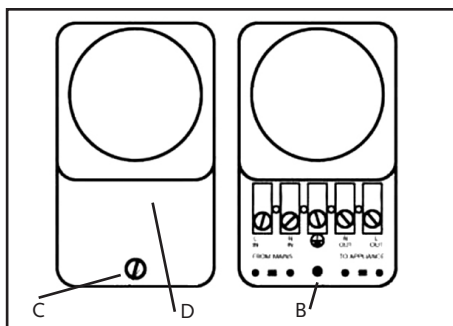
### IMPORTANT

*This unit should be installed to current IEE wiring regulations if in doubt consult a qualified electrician.*

- Timer must not be mounted on a flammable surface.
- Ensure that the timer does not come into contact with any combustible materials such as towels or bedding.
- Ensure at least a 300mm air space is allowed around the timer.

### FIXING THE TIMER TO THE WALL

Drill two 6mm holes 97mm vertically apart in the wall. Insert plastic anchor (supplied) into holes and fit one No.6 screw to top hole leaving a gap under the screw head of approximately 4.75mm. Place the keyhole slot over the screw and slide the timer down; if the timer is loose remove it, tighten the screw and refit the timer. Continue to do this until the timer fits securely against the wall. Remove terminal cover "D" by undoing screw "C". Insert the second No.6 screw into slot "B" and tighten. Your timer is now ready for wiring.



### WIRING THE TIMER

Your Kingshield timer should be wired from a fused spur. We recommend a PowerBreaker H92 RCD model.

**Switch off the mains and isolate the supply by removing the appropriate fuse before starting the installation.**

Prepare cables for connection to the timer, (see Diagram A).

The maximum size cable that can be used with this timer is 2.5mm. If flat twin and earth cable is used the bare earth cable must be fitted with green/yellow sleeving before fitting the earth terminal.

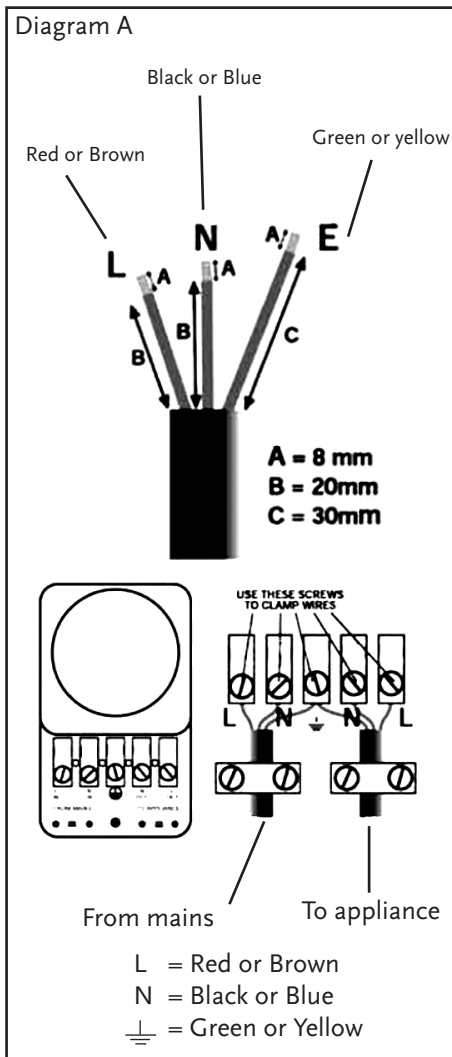
Fit the bare wire ends into the correct terminals (see diagram A). You must ensure that there are no loose strands left out of the terminals.

**Firmly tighten all the screws.**

Using the cable clamps and screws provided and ensuring the cable clamp is fitted the correct way round, tightly secure the cable into position.

Ensure the correct cable cut-outs have been removed in terminal cover "D" and refit terminal cover "D" and tighten screw "C".

**N.B. Check all terminal screws are tight.**



### CURRENT TIME AND DAY SETTING

1. Press the R button to reset the timer to its default settings, activate using a pencil or similar pointed instrument. (pressing R will delete all stored programmes)
2. Press Y to enter function setup. (Note: if another button is not pressed within 10 seconds the display will revert to the normal screen).
3. Use the + or - button to scroll to the clock icon (flashing) and press Y to enter the current time setting mode (hours flashing).
4. If you keep the + or - buttons pressed for more than 3 seconds, the display will enter fast scroll mode.
5. Use the + or - button to adjust the hours and press Y to confirm, minutes will flash.
6. Use the + or - button to adjust the minutes and press Y to confirm, day will flash.
7. Use the + or - button to adjust the day and press N to exit.

### PROGRAMMING THE SWITCHING TIMES



1. There are 24 ON/OFF programmes available.
2. Press the Y button twice to enter the programming setting mode. (Note: if another button is not pressed within 10 seconds the display will revert to the normal screen).

3. Default is programme 01 ON, this can be changed if required by pressing + or - button to scroll through the 24 ON/OFF programmes as required, pressing the Y will confirm the programme.
4. Press the Y button to confirm programme 01 ON, hours will flash.
5. Use the + or - button to adjust the hours and press Y to confirm, minutes will flash.
6. Use the + or - button to adjust the minutes and press Y to confirm, days will flash.
7. Apart from individual days of the week, the following day combinations of multiple day blocks can be selected by pressing the + or - buttons.
  - Monday to Sunday
  - Monday to Friday
  - Saturday to Sunday
  - Monday to Saturday
  - Monday + Wednesday + Friday
  - Tuesday + Thursday + Saturday
  - Monday + Tuesday + Wednesday
  - Thursday + Friday + Saturday
8. Select day or day block as required and press the Y button to confirm.
9. Press the + button, this will select the programme 01 OFF, press Y to confirm.
10. Follow 4 to 7 above to set the 01 OFF programme (day or day block must be the same as programme ON).
11. If no more programmes are required, press the N button to exit.
12. If more programmes are required follow step 3.
13. To cancel a programme once set, press and hold the N button for more than 3 seconds when the desired programme number is flashing i.e. to cancel programme 01 ON, press the Y button twice and hold the N button down for more than 3 seconds to delete. Pressing the + button again will select 01 OFF.
14. Repeat 13 to delete 01 OFF. This procedure can be repeated to delete any of the 24 programmes.

## TIMER COUNTDOWN FUNCTION

1. Timer has a 100 hour countdown feature i.e. the timer can be set to any period from 1 minute to 100 hours and will countdown in the ON state and turn OFF at the end of the countdown period.
2. Press the Y button then use the + or - button to select the “down” icon on the right hand side of the display, press Y again to enter the countdown mode.
3. Use the + or - button to adjust the hours and press Y to confirm. minutes will flash.
4. Use the + or - button to adjust the minutes and press Y to confirm and complete the countdown time setting.
5. Press the N button to start the countdown.
6. Output switched to ON during the countdown period.
7. Press the N button to pause the countdown (output switched to OFF)
8. To resume countdown simply press the N button again.
9. Press and hold the N button for more than 3 seconds to exit the countdown function.

## MANUAL OVERRIDE

1. When in normal clock mode, pressing the N button will scroll through the following switching options.
  - ALWAYS ON - timer is permanently ON.
  -  PROG - timer is in programme ON mode, will switch off at the next programme OFF time.
  - ALWAYS OFF - timer is permanently OFF.
  - PROG  - timer is in programme OFF mode, will switch on at the next programme ON time.

## SUMMER TIME SETTING

1. Press the Y button, then use the + or - buttons to scroll through to “summer” (flashing).
2. Press the Y button again to access the summer time setting.
3. Press the + or - button to change between summer on or off.
4. Press Y to confirm summer setting, time will advance 1 hour.
5. A “SUMMER” icon will appear in the display.
6. Use the same procedure to remove the “SUMMER” icon when reverting to GMT in the winter.

## READING YOUR PROGRAMMED TIMES

1. Press Y button twice to enter programme mode.
2. Press the + or - buttons to scroll through the 24 ON/OFF programmes to check settings.
3. Press the N button to exit and revert to clock mode.

## RESET

Pressing the reset button R with a pencil or similar will reset all programmed times and set time of day to zero.

## TECHNICAL DATA

Connection:	See label on unit
Switching Capacity:	16A resistive, 2A Inductive
Ambient Temperature:	-10°C to + 55°C
Running Reserve:	150 Hours
Memory location:	24
Shortest switching time:	1 minute

## GUARANTEE

Your KingShield 7 Day Electronic Immersion Heater Timer is guaranteed for 12 months from the date of purchase.

This does not affect your statutory rights.

## CE INFORMATION

ACTION TYPE: IB

POLLUTION SITUATION: NORMAL

CLASS 2 INSULATION:

 : MICRO-DISCONNECTION LIVE POLE ONLY

**PLEASE KEEP THESE INSTRUCTIONS SAFE FOR FUTURE REFERENCE**

**GREEN  
BROOK**  
ELECTRICAL PLC

WEST ROAD . HARLOW  
ESSEX . CM20 2BG . UK  
sales@greenbrook.co.uk  
WWW.GREENBROOK.CO.UK

