

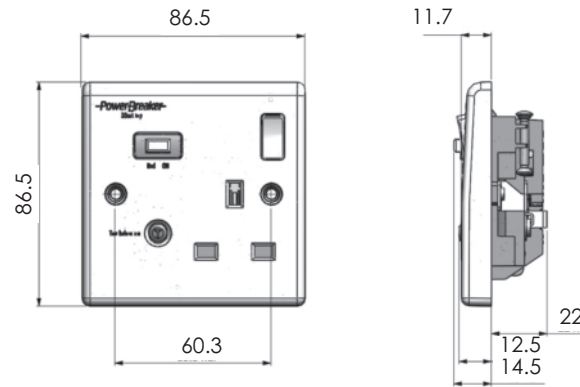
RCD SOCKETS PASSIVE - SWITCHED 10MA

The K range RCD switched sockets are available in single or twin outlets, with mechanical latching. These sockets replace standard sockets to provide added protection against electrocution in commercial, domestic and industrial environments.

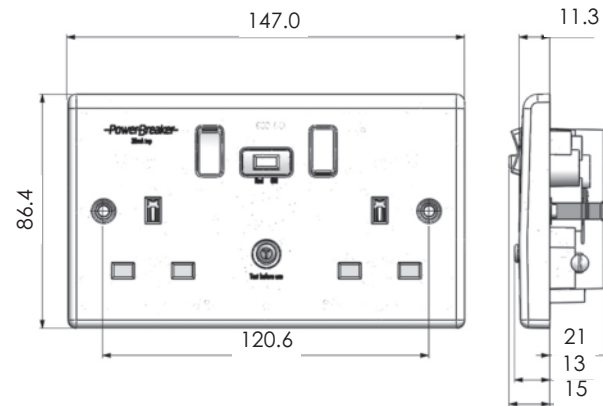
- Mechanically latched (does not need resetting after a power loss)
- High intensity LED power on indicator
- Individually switched socket outputs
- Twin sockets fitted with twin earth terminals



K21WPAPN10-C



K22WPAPN10-C



K21WPAPN10-C

K22WPAPN10-C

	K21WPAPN10-C	K22WPAPN10-C
Product Finish	White	White
Product Dimensions	86.5 x 86.5 x 11.7mm	147 x 86.4 x 11.3mm
Product weight	140 gms	208 gms
Barcode	5012739 643194	5012739 643156
Voltage	230V AC 50Hz	230V AC 50Hz
Max Operating Current	13A (13A inductive)	13A (13A inductive)
Rated Trip Current	10mA	10mA
Typical Trip Speed	Less than 20mS (typical)	Less than 20mS (typical)
RCD Contact break	Double Pole	Double Pole
Latching	Mechanical, no need to reset after a power loss (passive)	Mechanical, no need to reset after a power loss (passive)
Responsive to	Pulsating DC earth faults	Pulsating DC earth faults
Main housing material	Polycarbonate	Polycarbonate
Guarantee	1 Year	1 Year
Conforms to	BS 7288:1990 Amd 1, BS 1363-2:1995 Amd 1-3	BS 7288:1990 Amd 1, BS 1363-2:1995 Amd 1-3
EMC Emissions	EN 55014-1:2006 & EN 55014-1:2000 inc A1:2001 & A2:2002	EN 55014-1:2006 & EN 55014-1:2000 inc A1:2001 & A2:2002
EMC Immunity	EN 61543:1995 inc A11:2003, A12:2005 & A2:2006	EN 61543:1995 inc A11:2003, A12:2005 & A2:2006